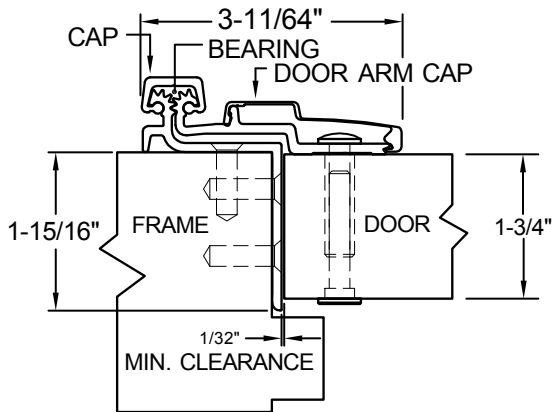
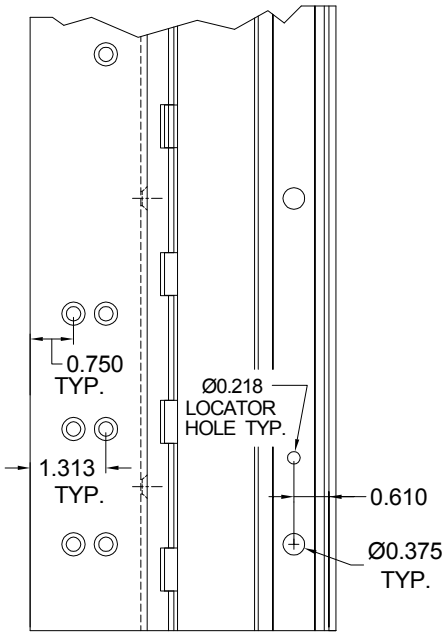
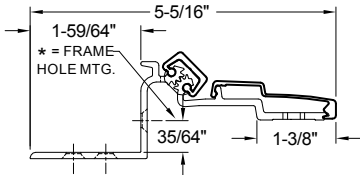


A211HD 120" LONG



TYPICAL APPLICATION

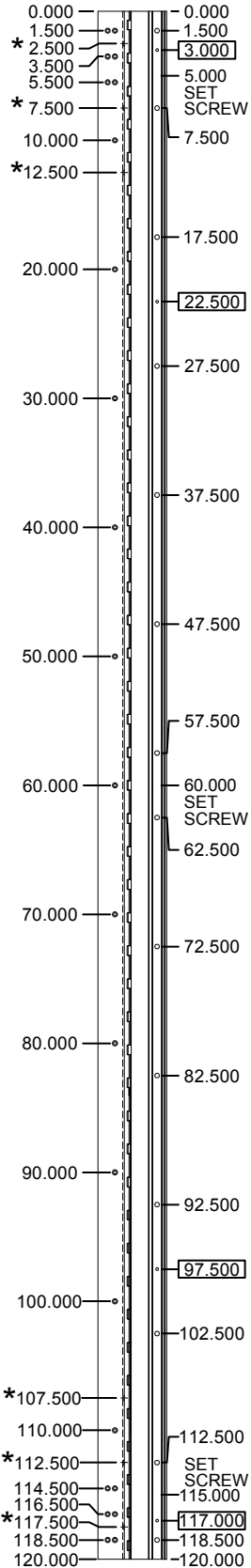


(STD/HD)

ALL DIMS ARE TYPICAL

SCREW DETAIL		
	QTY.	DESCRIPTION
FRAME	29	12-24 X 11/16" PH. F.H. UNDERCUT SELF DRILLING THREAD FORMING TEK SCREW
DOOR	14	1/4-20 X 1-9/16L. X 3/8 DIA. SEX-BOLT & 1/4-20 X 1" PH. HEAD SHOULDERSCREW
	4	12-24 X 11/16 PH. PN. HD. SELF DRILLING TEK SCW. (LOCATOR HOLE)

A211HD120-STD/HD



ALL DIMS ARE TO CENTERLINE OF HOLES

XX.XXX DENOTES LOCATOR

* = FRAME HOLE MTG.



® www.abhmfg.com
E-mail: abhinfo@abhmfg.com
Architectural Builders Hardware Mfg., Inc.
1222 Ardmore Ave., Itasca, IL 60143
630.875.9900; FAX 800.9FAXABH (932.9224)

A211HD-120-02.DWG

A211HD120

REVISED 02-10-10

© 2010 ABH Mfg., Inc.
printed in USA