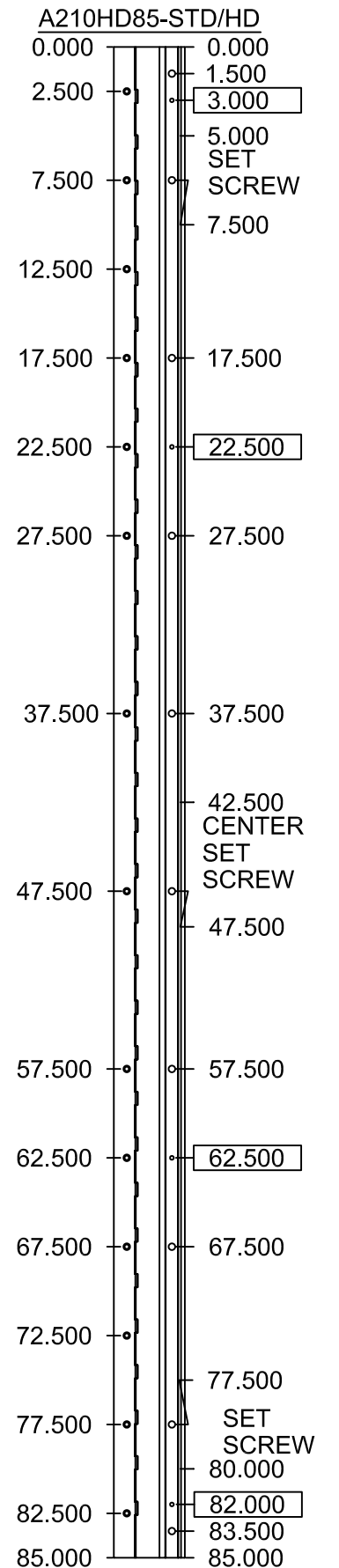
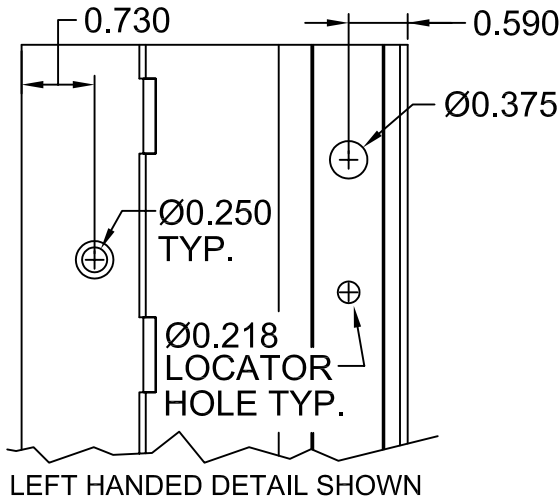
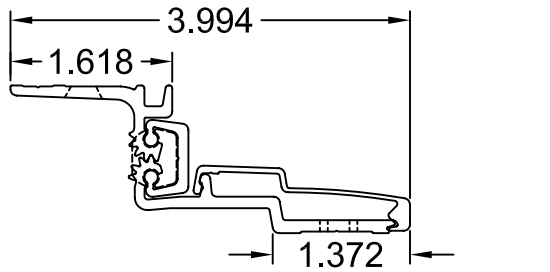
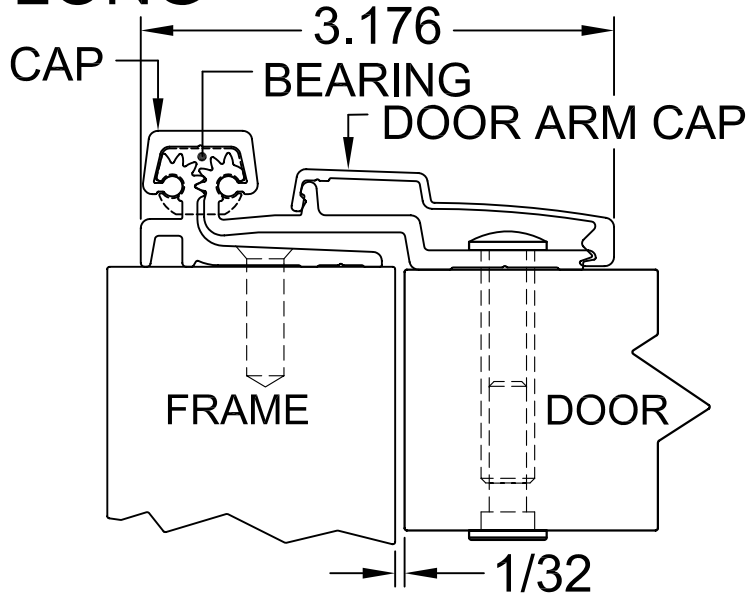


A210HD 85" LONG



ALL DIMS ARE TO CENTERLINE OF HOLES
 [XX.XXX] DENOTES LOCATOR HOLE

SCREW DETAIL		
	QTY.	DESCRIPTION
FRAME	14	12-24 X 11/16" PH. F.H. UNDERCUT SELF DRILLING THREAD FORMING TEK SCREW
DOOR	10	1/4-20 X 1-9/16L. X 3/8 DIA. SEX-BOLT & 1/4-20 X 1" PH. HEAD SHOULDER SCREW
	4	12-24 X 11/16 PH.PN. HD. SELF DRILLING TEK SCW. (LOCATOR HOLE)



www.abhmf.com
 E-mail: abhinfo@abhmf.com
 Architectural Builders Hardware Mfg., Inc.
 1222 Ardmore Ave., Itasca, IL 60143
 630.875.9900; FAX 800.9FAXABH (932.9224)

© 2006 ABH Mfg., Inc.
 printed in USA

A210HD-85-01.DWG

A210HD85

REVISED 10-19-06