

FOR EDGE GUARD MODELS:

- A528BM - BEVEL EDGE MORTISED
- A528SM - SQUARE EDGE MORTISED
- A538CBM - BEVEL EDGE MORTISED
- A538CSM - SQUARE EDGE MORTISED
- A548TBM - BEVEL EDGE MORTISED
- A548TSM - SQUARE EDGE MORTISED

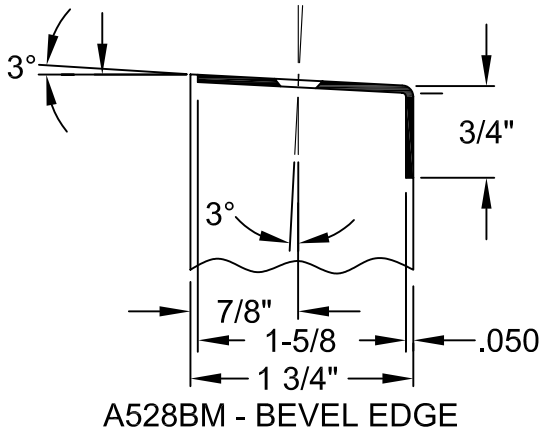
STANDARD HINGE LENGTH CONVERSION CHART

A 95.000" actual length = an 8'0" door opening

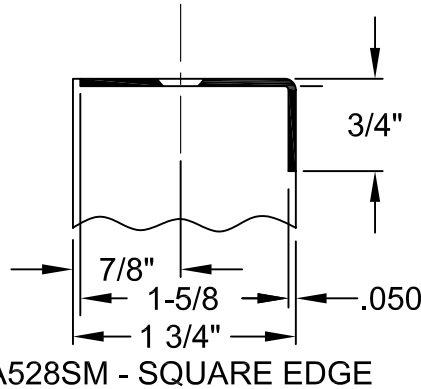
| SCREW DETAIL | |
|--------------|--|
| QTY. | DESCRIPTION |
| 13 | #10x1.250" PHILLIPS FLAT HEAD UNDERCUT SHEET METAL SCREW |

**MODEL A538CSM-95.000" (8'0")
SHOWN FOR EXAMPLE**

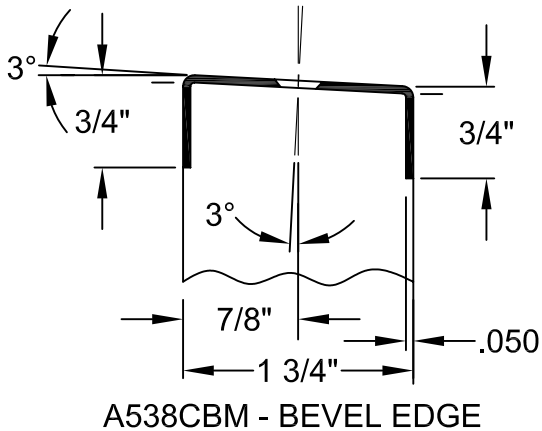
NOTE: HOLE PATTERN USED
FOR ALL MODELS



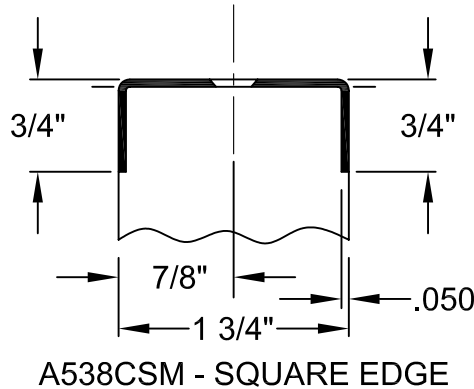
A528BM - BEVEL EDGE



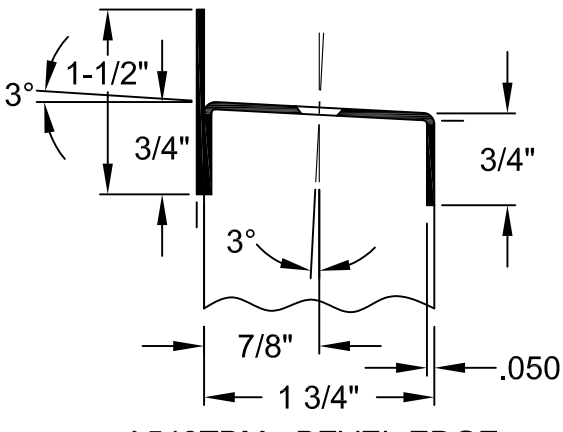
A528SM - SQUARE EDGE



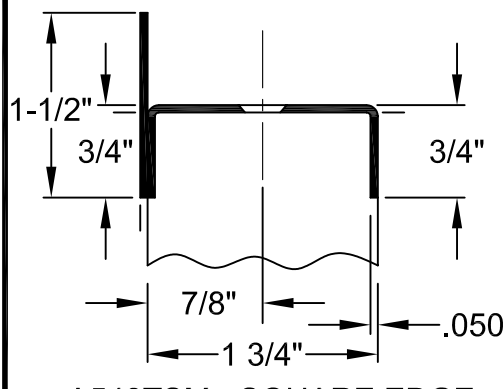
A538CBM - BEVEL EDGE



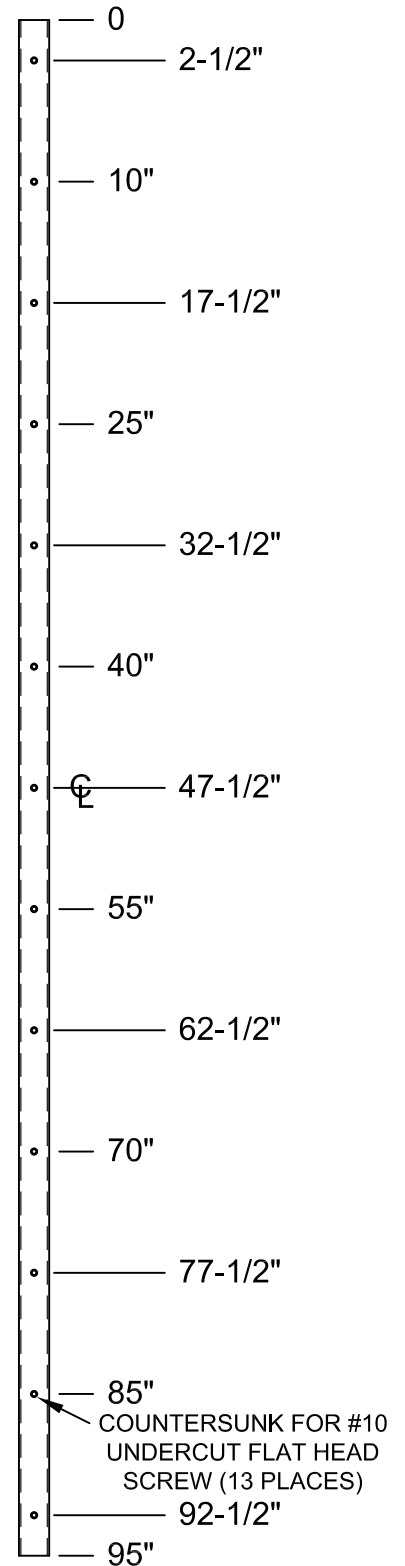
A538CSM - SQUARE EDGE



A548TBM - BEVEL EDGE



A548TSM - SQUARE EDGE



COUNTERSUNK FOR #10
UNDERCUT FLAT HEAD
SCREW (13 PLACES)



® www.abhmfg.com
E-mail: abhinfo@abhmfg.com
Architectural Builders Hardware Mfg., Inc.
1222 Ardmore Ave., Itasca, IL 60143
630.875.9900; FAX 800.9FAXABH (932.9224)

**MORTISED EDGE GUARD
95.000**

© 2007 ABH Mfg., Inc.
printed in USA

ISSUED 10-22-07

95.000-EGM-00.DWG