

**FOR EDGE GUARD MODELS:**

- A528B - BEVEL EDGE
- A528S - SQUARE EDGE
- A538CB - BEVEL EDGE
- A538CS - SQUARE EDGE
- A548TB - BEVEL EDGE
- A548TS - SQUARE EDGE

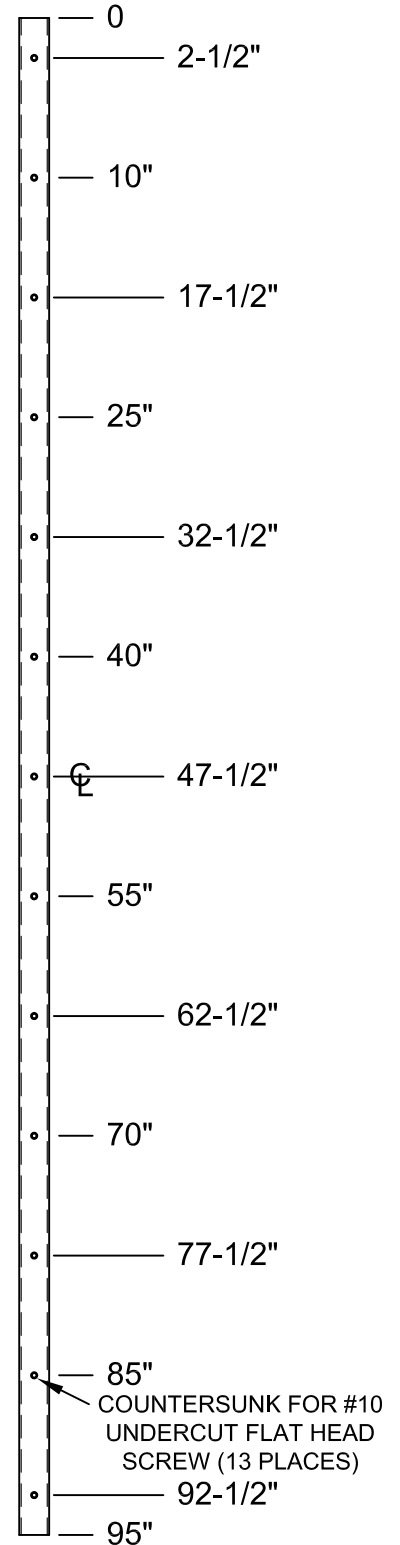
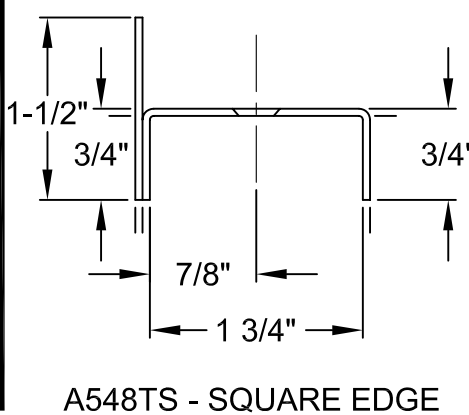
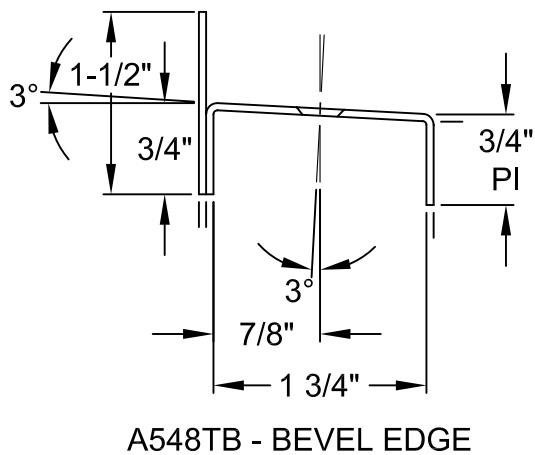
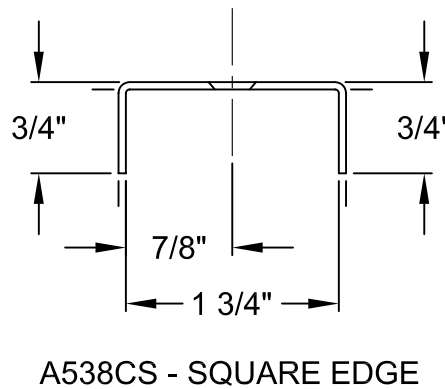
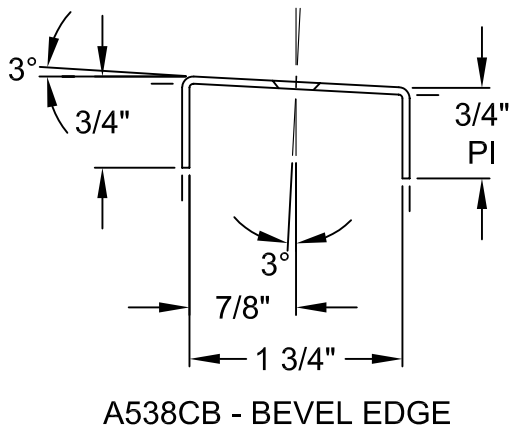
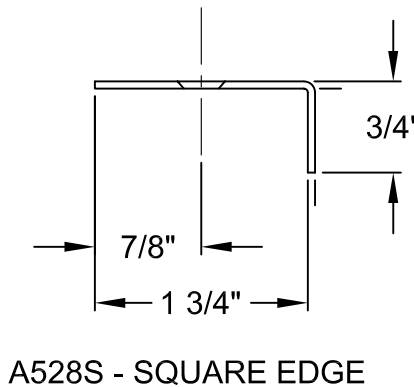
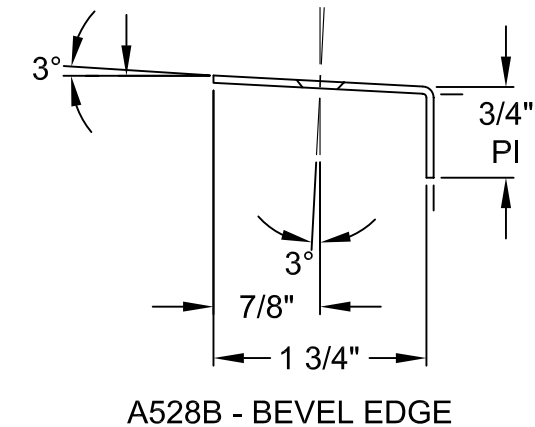
**STANDARD HINGE LENGTH CONVERSION CHART**

A 95.000" actual length = an 8'0" door opening

SCREW DETAIL	
QTY.	DESCRIPTION
13	#10x1.250" PHILLIPS FLAT HEAD UNDERCUT SHEET METAL SCREW

**MODEL A538CS-95.000" (8'0")  
SHOWN FOR EXAMPLE**

NOTE: HOLE PATTERN USED  
FOR ALL MODELS



® www.abhmfg.com  
E-mail: abhinfo@abhmfg.com  
Architectural Builders Hardware Mfg., Inc.  
1222 Ardmore Ave., Itasca, IL 60143  
630.875.9900; FAX 800.9FAXABH (932.9224)

© 2006 ABH Mfg., Inc.  
printed in USA

**95.000**

REVISED 05-30-06