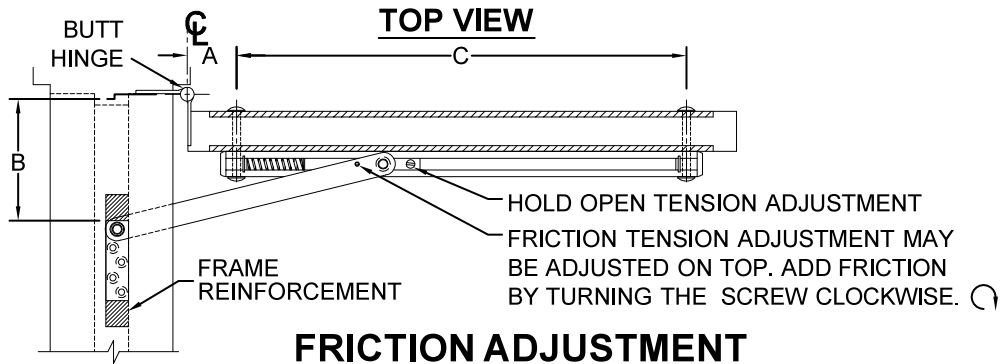


9000 SERIES HOLDER & STOPS

REVERSIBLE

FOR SINGLE ACTING DOORS ONLY

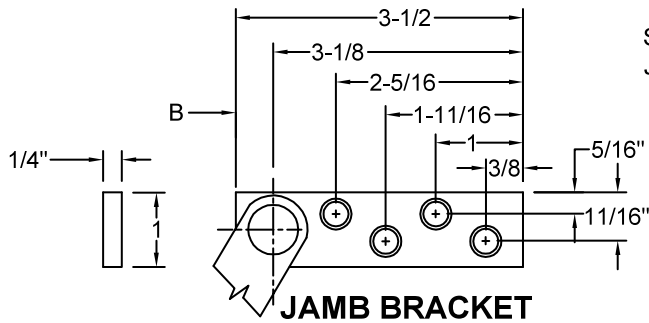
NON - HANDED



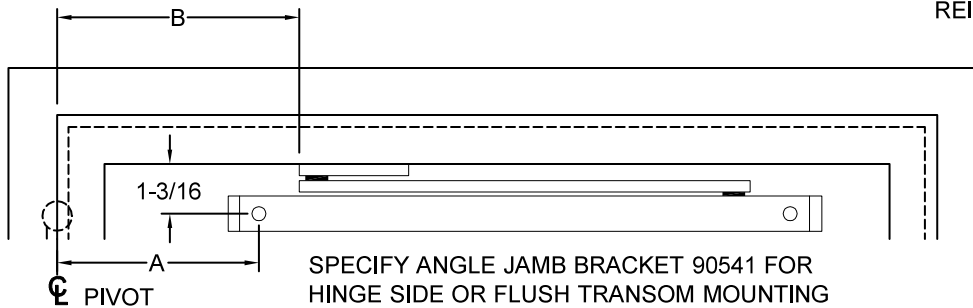
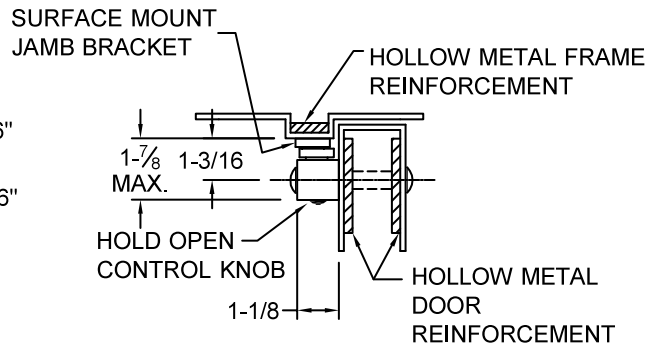
FRICTION ADJUSTMENT



ALIGN FRICTION TENSION ADJUSTMENT SCREW TO THIS HOLE.
ADD FRICTION BY TURNING THE SCREW COUNTERCLOCKWISE.

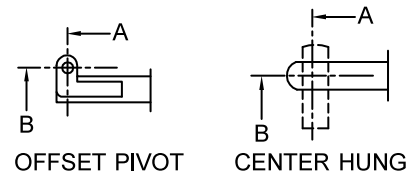


JAMB BRACKET



NOTE: A, B, & C DIMENSIONS MEASURED AS SHOWN
NOTE: ALL A, B & C DIMENSIONS MEASURED FROM C OF PIVOT.

SCREW DETAIL			
	QTY	WOOD	METAL
JAMB	4	No. 14 X 1-1/2" F.H.W.S.	1/4" - 20 X 3/4" F.H.M.S.
DOOR	2	5/16" - 18 x 2" TRUSS HD MS 1/2" DIA. SEX BOLT	5/16" - 18 x 2" TRUSS HD MS 1/2" DIA. SEX BOLT



ALWAYS REQUEST LATEST TEMPLATE
DRAWINGS FOR NEW INSTALLATIONS

DO NOT SCALE DRAWINGS
ALL DIMENSIONS ARE IN INCHES



www.abhmfg.com
E-mail: abhinfo@abhmfg.com
Architectural Builders Hardware Mfg., Inc.
1222 Ardmore Ave., Itasca, IL 60143
630.875.9900; FAX 800.9FAXABH (932.9224)

© 2009 ABH Mfg., Inc.
printed in USA

9000

REVISED 05-22-09

9000-1-04.DWG

9010 SERIES HOLDERS, 9020 SERIES STOPS & 9030 SERIES FRICTION SURFACE MOUNT

REVERSIBLE/NON-HANDED

SEE OTHER SIDE FOR INSTALLATION INSTRUCTIONS
SELECT PROPER DIMENSIONS FROM CHART BELOW
ALL DIMENSIONS SHOWN IN INCHES

DIMENSION BELOW-HOLD
FOR SINGLE ACTING DOOR ONLY
FOR DEAD STOP ADD 5/8" TO "A" DIMENSION

DEGREE		85° H.O.	90° H.O.	95° H.O.	100° H.O.	105° H.O.	110° H.O.							
MODEL NO.	DOOR OPENING	A	B	A	B	A	B	A	B	C				
9011,9021 9031	28-29 ⁵ / ₁₆	3-1/16	7-9/16	2-9/16	7-1/16	2-1/4	6-3/4	1-15/16	6-7/16	1-5/8	6-1/8	1-3/8	5-7/8	20-1/2
9012,9022 9032	30-31 ⁵ / ₁₆	5-3/16	8	4-11/16	7-1/2	4-5/16	7-1/8	4	6-13/16	3-11/16	6-1/2	3-7/16	6-1/4	20-15/16
9013,9023 9033	32-35 ⁵ / ₁₆	5-15/16	8-5/8	5-3/8	8-1/16	5	7-11/16	4-5/8	7-5/16	4-5/16	7	4	6-11/16	21-5/8
9014,9024 9034	36-39 ⁵ / ₁₆	8-7/8	9-11/16	8-1/4	9-1/16	7-13/16	8-5/8	7-3/8	8-3/16	7-1/16	7-7/8	6-11/16	7-1/2	22-13/16
9015,9025 9035	40-41 ⁵ / ₁₆	11-3/4	10-3/4	11-1/16	10-1/16	10-5/8	10-5/8	10-1/16	9-1/16	9-11/16	8-11/16	9-5/16	8-5/16	24
9016,9026 9036	42-43 ⁵ / ₁₆	13-3/16	11-1/4	12-1/2	10-9/16	12	10-1/16	11-1/2	9-9/16	11-1/16	9-1/8	10-5/8	8-11/16	24-9/16
9017,9027 9037	44 - UP	14-11/16	11-13/16	13-15/16	11-1/16	13-3/8	10-1/2	12-7/8	10	12-3/8	9-1/2	11-15/16	9-1/16	25-1/8

1-3/4" TO 2-1/4"
DOOR THICKNESS
BUTT & OFFSET PIVOT

"A" AND "B" DIMENSIONS MEASURED FROM CENTER LINE OF PIVOT- NOT EDGE OF DOOR

DEGREE		85° H.O.	90° H.O.	95° H.O.	100° H.O.	105° H.O.	110° H.O.							
MODEL NO.	DOOR OPENING	A	B	A	B	A	B	A	B	C				
9011,9021 9031	30-33 ⁵ / ₁₆	3-5/8	8-1/8	3-3/16	7-11/16	2-13/16	7-5/16	2-1/2	7	2-1/4	6-3/4	2	6-1/2	20-1/2
9012,9022 9032	34-35 ⁵ / ₁₆	5-13/16	8-5/8	5-3/8	7-3/16	4-15/16	7-3/4	4-5/8	7-7/16	4-5/16	7-1/8	4-11/16	6-7/8	20-15/16
9013,9023 9033	36-38 ⁵ / ₁₆	6-9/16	9-1/4	6-1/16	9-3/4	5-5/8	8-5/16	5-1/4	7-15/16	4-15/16	7-5/8	4-5/8	7-5/16	21-5/8
9014,9024 9034	39-40 ⁵ / ₁₆	9-1/2	10-5/16	8-15/16	10-3/4	8-7/16	9-1/4	8	8-13/16	7-5/8	8-7/16	7-1/4	8-1/16	22-13/16
9015,9025 9035	40-41 ⁵ / ₁₆	12-7/16	11-7/16	11-13/16	10-13/16	11-1/4	10-1/4	10-3/4	9-3/4	10-5/16	9-5/16	9-15/16	9-3/16	24
9016,9026 9036	45-46 ⁵ / ₁₆	13-7/8	11-15/16	13-3/16	11-1/4	12-9/16	10-5/8	12-1/16	10-1/8	11-5/8	9-11/16	11-1/4	9-5/16	24-9/16
9017,9027 9037	47-UP	15-3/8	12-1/2	14-11/16	11-13/16	14-1/16	10-5/8	13-1/2	10-5/8	13	10-1/8	12-5/8	9-3/4	25-1/8

CENTER HUNG

9000-2-04.DWG

www.abhmf.com

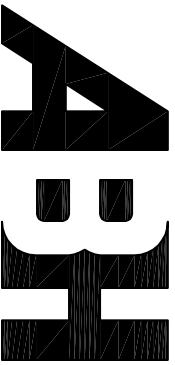
E-mail: abhinfo@abhmf.com

Architectural Builders Hardware Mfg., Inc.

1222 Ardmore Ave., Itasca, IL 60143

630.875.9900 FAX 800.9FAXABH (932.9224)

©2009 ABH Mfg., Inc.
printed in USA



9000

REVISED 05-22-09