

FOR EDGE GUARD MODELS:

- A528B - BEVEL EDGE
- A528S - SQUARE EDGE
- A538CB - BEVEL EDGE
- A538CS - SQUARE EDGE
- A548TB - BEVEL EDGE
- A548TS - SQUARE EDGE

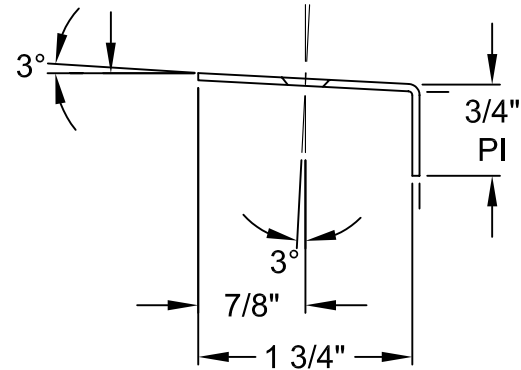
STANDARD HINGE LENGTH CONVERSION CHART

A 83.125" actual length = an 7'0" door opening

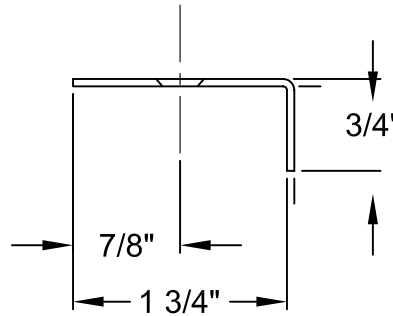
SCREW DETAIL	
QTY.	DESCRIPTION
11	#10x1.250" PHILLIPS FLAT HEAD UNDERCUT SHEET METAL SCREW

**MODEL A538CS-83.125" (7'0")
SHOWN FOR EXAMPLE**

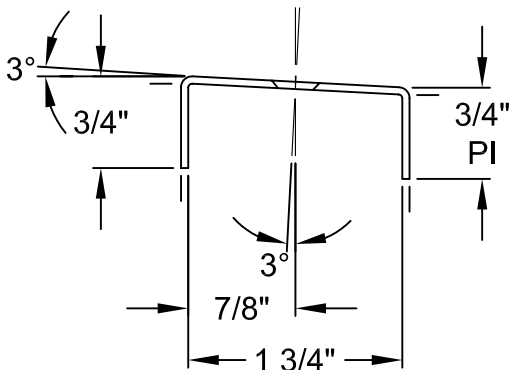
NOTE: HOLE PATTERN USED
FOR ALL MODELS



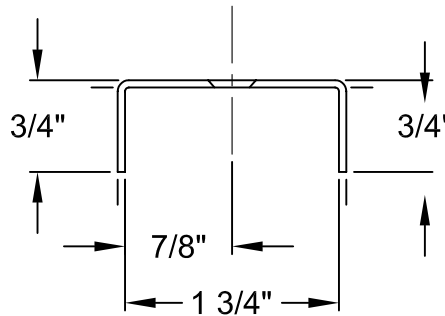
A528B - BEVEL EDGE



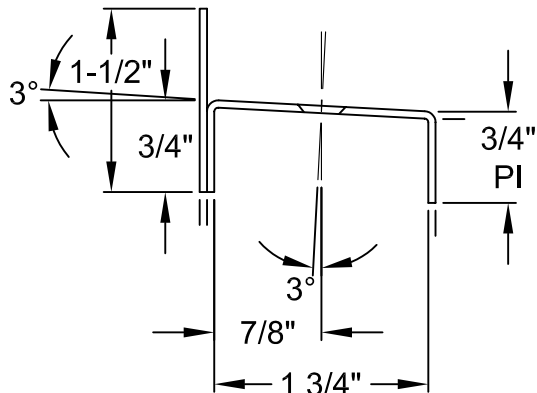
A528S - SQUARE EDGE



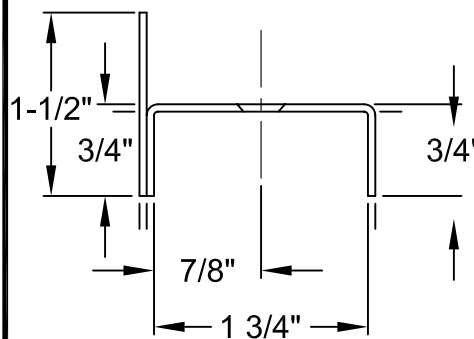
A538CB - BEVEL EDGE



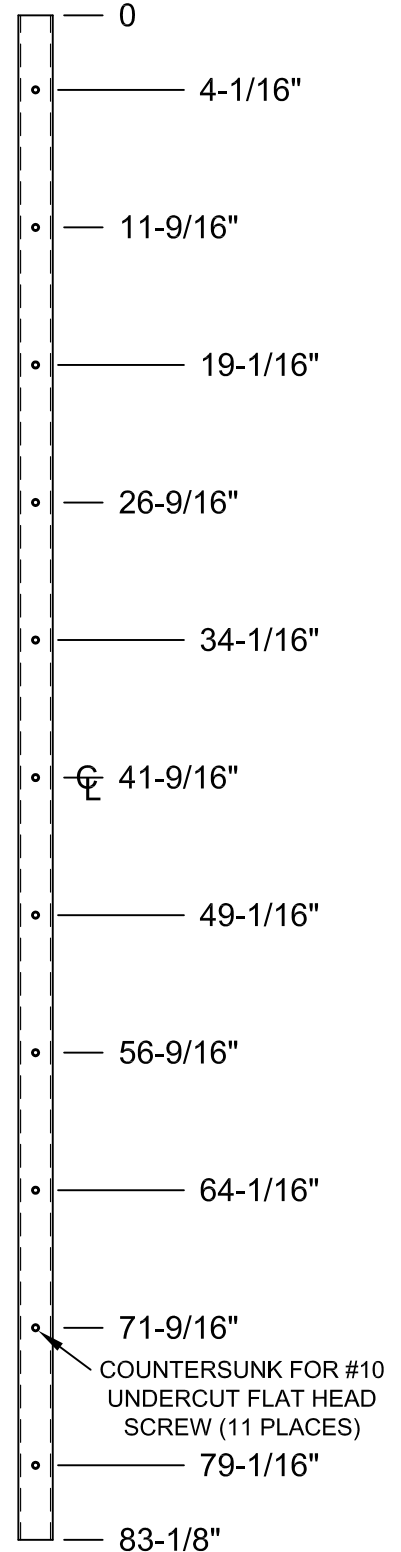
A538CS - SQUARE EDGE



A548TB - BEVEL EDGE



A548TS - SQUARE EDGE



www.abhmfg.com
E-mail: abhinfo@abhmfg.com
Architectural Builders Hardware Mfg., Inc.
1222 Ardmore Ave., Itasca, IL 60143
630.875.9900; FAX 800.9FAXABH (932.9224)

© 2006 ABH Mfg., Inc.
printed in USA

83.125

REVISED 05-30-06