

FOR EDGE GUARD MODELS: MORTISED

- A528BM - BEVEL EDGE MORTISED
- A528SM - SQUARE EDGE MORTISED
- A538CBM - BEVEL EDGE MORTISED
- A538CSM - SQUARE EDGE MORTISED
- A548TBM - BEVEL EDGE MORTISED
- A548TSM - SQUARE EDGE MORTISED

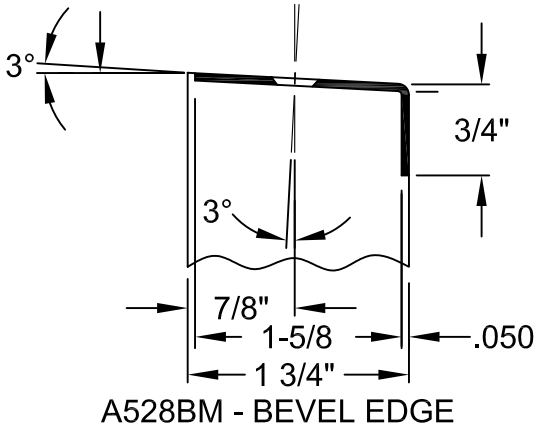
STANDARD HINGE LENGTH CONVERSION CHART

A 78.750" actual length = an 6'8" door opening

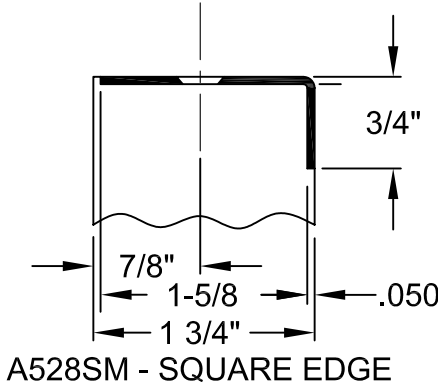
SCREW DETAIL	
QTY.	DESCRIPTION
11	#10x1.250" PHILLIPS FLAT HEAD UNDERCUT SHEET METAL SCREW

MODEL A538CSM-78.750" (6'8")
SHOWN FOR EXAMPLE

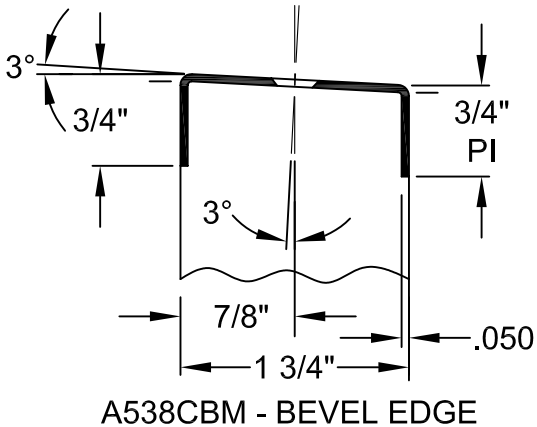
NOTE: HOLE PATTERN USED
FOR ALL MODELS



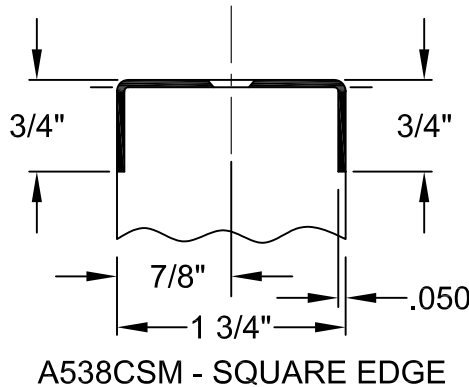
A528BM - BEVEL EDGE



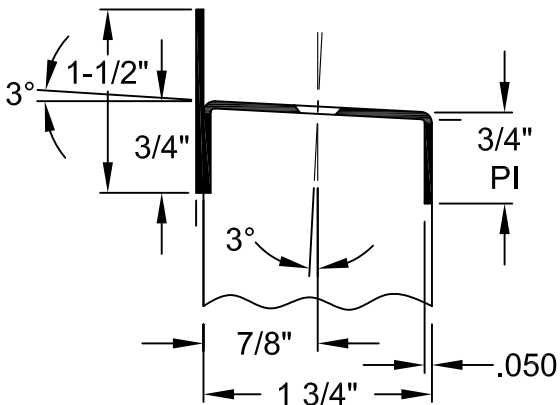
A528SM - SQUARE EDGE



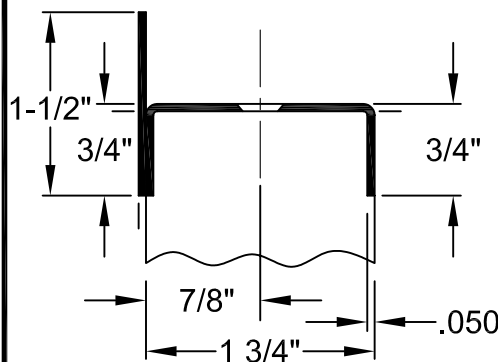
A538CBM - BEVEL EDGE



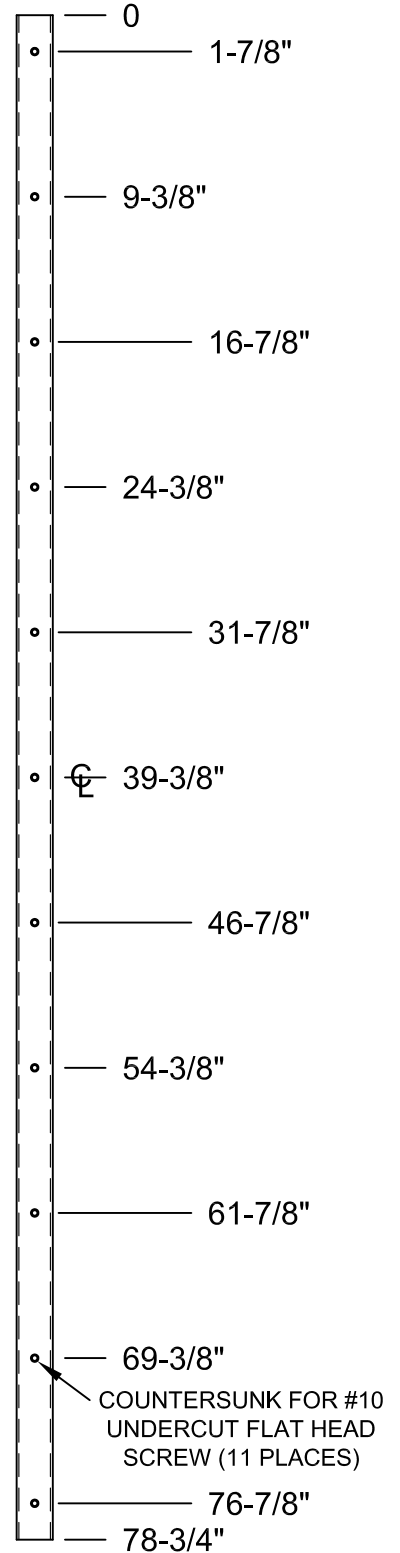
A538CSM - SQUARE EDGE



A548TBM - BEVEL EDGE



A548TSM - SQUARE EDGE



www.abhmfg.com
E-mail: abhinfo@abhmfg.com
Architectural Builders Hardware Mfg., Inc.
1222 Ardmore Ave., Itasca, IL 60143
630.875.9900; FAX 800.9FAXABH (932.9224)

MORTISED EDGE GUARDS
78.750

© 2007 ABH Mfg., Inc.
printed in USA

ISSUED 10-22-07

78.750-EGM-00.DWG