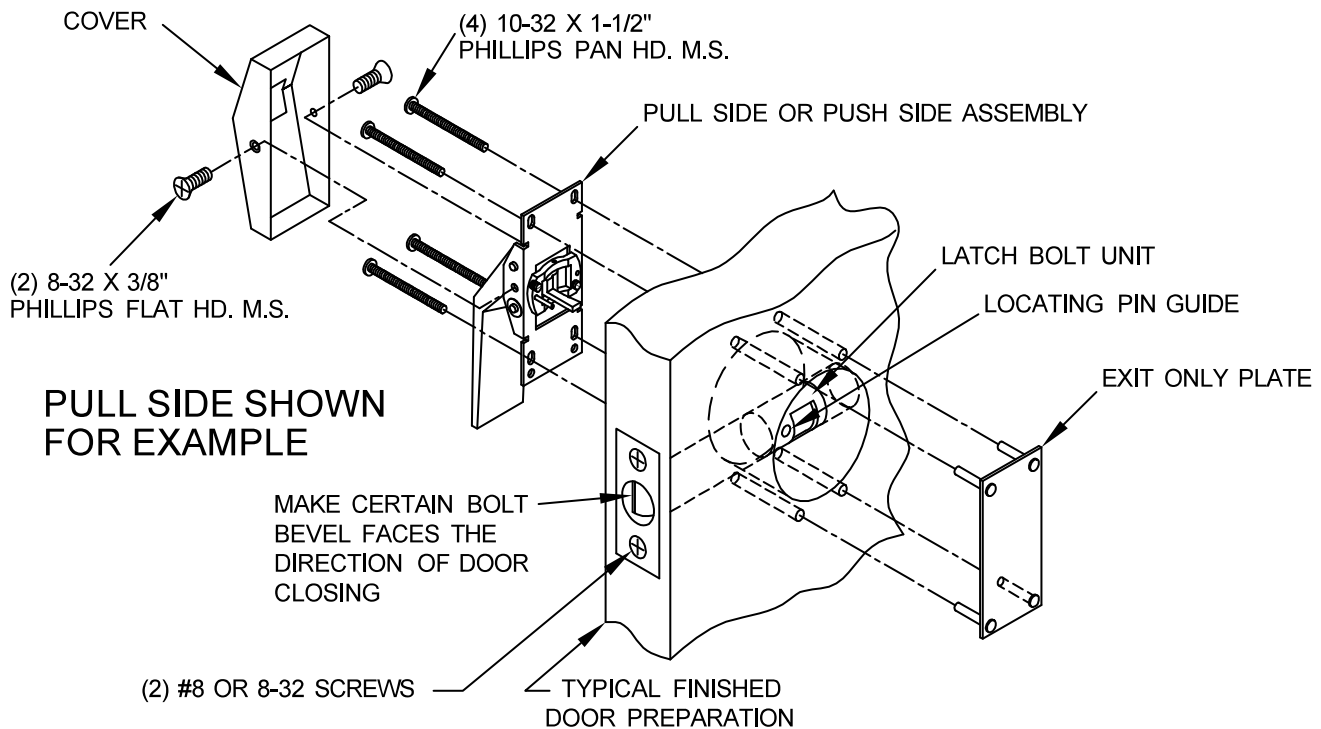


# 6830 SERIES REVERSE EXIT ONLY



## INSTALLATION INSTRUCTIONS

1. PUSH/PULL LATCHES ARE ASSEMBLED FOR RIGHT HAND AND LEFT HAND DOORS. BE SURE CORRECT SIDE MATCHES DOOR APPLICATION.
2. PLACE LATCH BOLT UNIT IN DOOR MAKING SURE BOLT BEVEL FACES DIRECTION OF DOOR CLOSING. ATTACH FRONT WITH TWO (2) #8 OR 8-32 SCREWS DEPENDING ON DOOR.
3. POSITION LEVER ASSEMBLY SO THAT LOCATING PIN AND CAM ARM ENTER INTO CORRESPONDING HOLES IN LATCH BOLT UNIT. ATTACH LEVER ASSEMBLY BY THRU BOLTING ONTO EXIT ONLY PLATE WITH FOUR (4) #10-32 X 1-1/2" PHILLIPS PAN HD. M.S. FOR PURPOSE OF ALIGNMENT DO NOT TIGHTEN SCREWS UNTIL ALL FOUR (4) SCREWS HAVE BEEN STARTED.
4. APPLY COVERS AND FASTEN WITH (2) 8-32 X 3/8" FLAT HD. M.S. FOR EACH COVER.
5. INSERT DUST BOX IN FRAME MORTISE AND ATTACH STRIKE WITH TWO (2) #8 OR 8-32 SCREWS.

## TO CHANGE DIRECTION OF PUSH OR PULL HANDLE

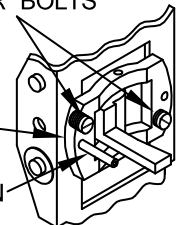
NOTE: REVERSE INSTALLATION INSTRUCTIONS #4 & # 3 THEN CONTINUE WITH INSTRUCTIONS 1, 2 & 3 BELOW.

1. REMOVE THE (2) 10-32 SHOULDER BOLTS WITH SPRINGS THAT SECURE THE CAM HOLDER ASSEMBLY, NOTE THE DIRECTION OF THE LOCATING PIN BEFORE STARTING.
2. ROTATE THE CAM HOLDER ASSEMBLY 180°.
3. REINSTALL THE (2) 10-32 SHOULDER BOLTS WITH SPRINGS.

10-32 SHOULDER BOLTS WITH SPRINGS

CAM HOLDER

LOCATING PIN



PATENT PENDING

6830 REVERSE EXIT ONLY-1-02.DWG



® [www.abhmfg.com](http://www.abhmfg.com)

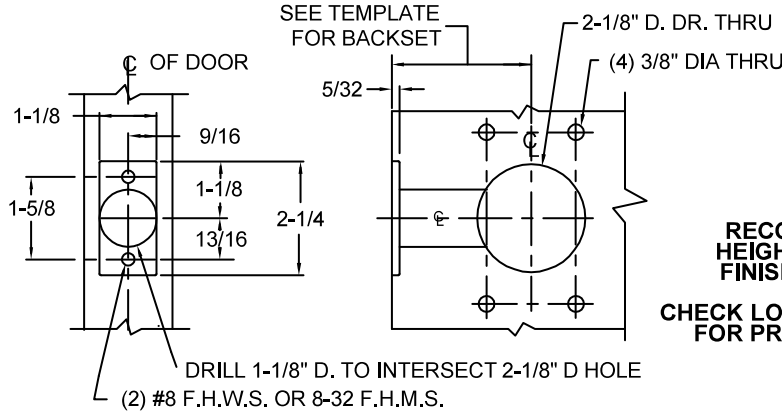
E-mail: [abhinfo@abhmfg.com](mailto:abhinfo@abhmfg.com)  
 Architectural Builders Hardware Mfg., Inc.  
 1222 Ardmore Ave., Itasca, IL 60143  
 630.875.9900; FAX 800.9FAXABH (932.9224)

© 2010 ABH Mfg., Inc.  
 printed in USA

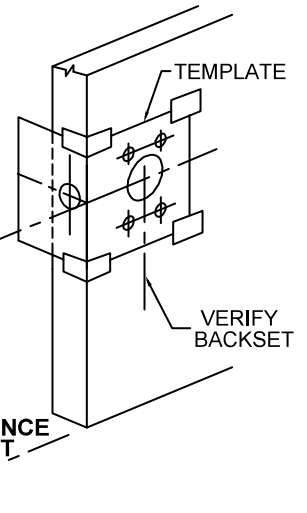
**6830 REVERSE  
 EXIT ONLY**  
 REVISED 01-21-10

**DOOR PREP**

1. Install door
2. Locate horizontal centerline on door
3. Verify backset (2-3/4", 3-3/4", 5" or 7"). Tape template to door.

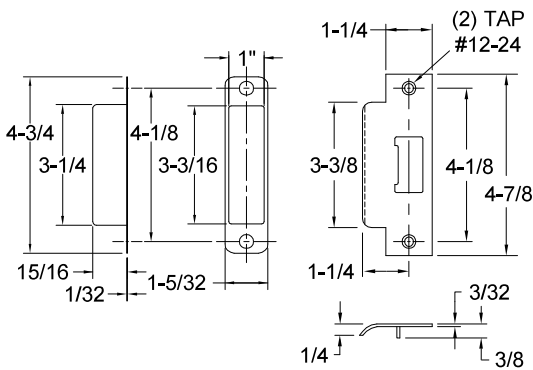
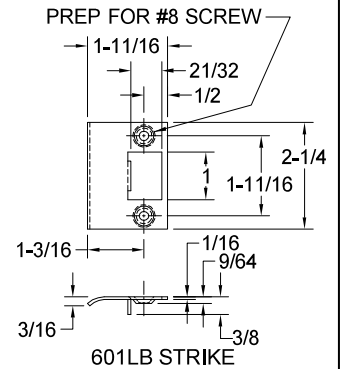
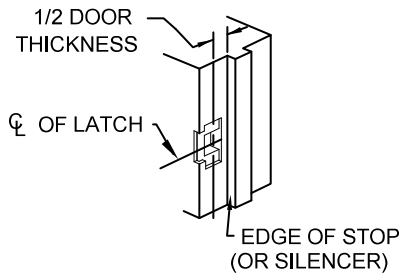


ADA  
RECOMMENDED  
HEIGHT 44" FROM  
FINISHED FLOOR  
-OR-  
CHECK LOCAL ORDINANCE  
FOR PROPER HEIGHT

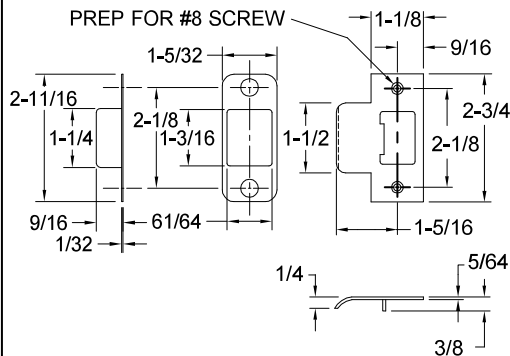


**FRAME PREP**

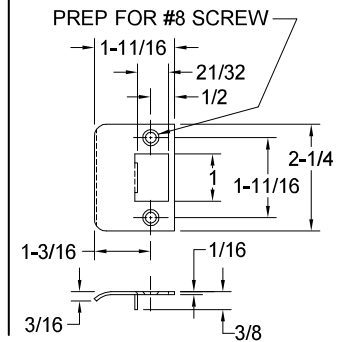
1. Mark centerline of latch bolt on frame
2. Center strike and mark screw positions
3. Mortise to required strike and box depth
4. All dimensions in inches.



ASA STRIKE & DUST BOX



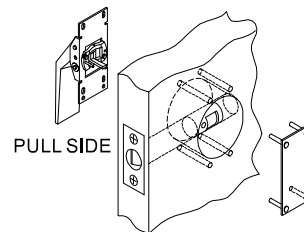
"T" STRIKE & DUST BOX



"D" STRIKE

**LATCH/HANDLE ASSEMBLY**

1. Install latch bolt.  
Radius portion of latch bolt must face push side of door.
2. Install push or pull side handle assembly with latch shaft thru latch bolt assembly.
3. Mount Exit only plate and install using (4) 10-32 screws with (4) 10-32 sex bolts.
4. Mount Cover.



6830 REVERSE EXIT ONLY-2-02.DWG



[www.abhmfg.com](http://www.abhmfg.com)

E-mail: [abhinfo@abhmfg.com](mailto:abhinfo@abhmfg.com)

Architectural Builders Hardware Mfg., Inc.  
1222 Ardmore Ave., Itasca, IL 60143  
630.875.9900; FAX 800.9FAXABH (932.9224)

© 2010 ABH Mfg., Inc.  
printed in USA

**6830 REVERSE  
EXIT ONLY**  
REVISED 01-21-10