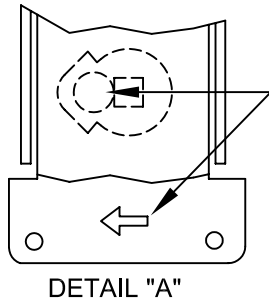
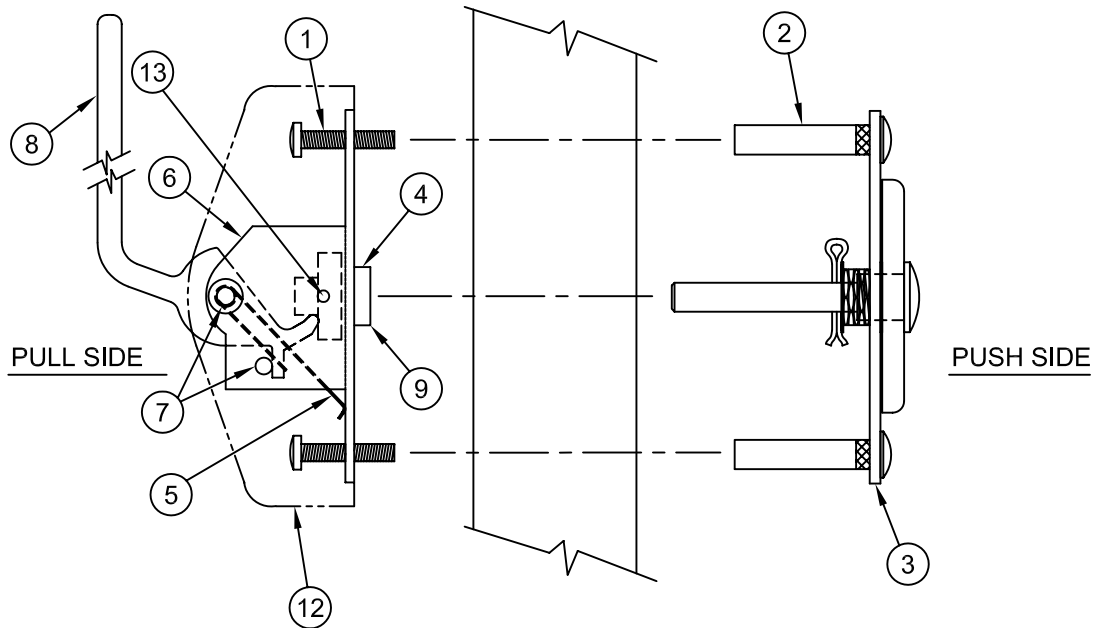


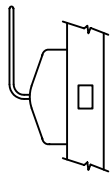
# 6200 ASYLUM FOR PULL LATCH

C U L US  
LISTED

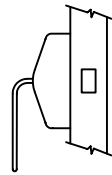


## NOTE:

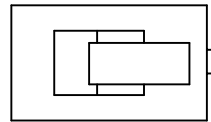
BEFORE MOUNTING PULL HANDLE,  
CAM PIN MUST BE ROTATED TOWARD SIDE  
INDICATED BY ARROW STAMPED ON BASE



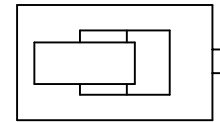
LEVER  
UP



LEVER  
DOWN



LEVER  
HORIZONTAL  
WITH 7"  
BACKSET



LEVER  
HORIZONTAL  
WITH 5" OR 7"  
BACKSET

ITEM	QTY	PART	ITEM	QTY	PART
1	4	10-32 X 1" PAN HD M.S.	9	1	CAM ASSEMBLY (FEMALE)
2	4	10-32x1-9/16L,5/16 O.D. SEX BOLT	10		
3	1	ASYLUM ASSEMBLY PLATE	11		
4	1EA	WASHERS & C-RING	12	1	COVER
5	1	SPRING	13	2	8-32 X 3/8" F.H.M.S.
6	1	MOUNTING BRACKET	14		
7	2EA	HANDLE SHAFT & COTTER PIN	15		
8	1	PULL SIDE HANDLE	16		

PATENT No. 6,196,599

PAGE 1 OF 3



® www.abhmfg.com  
E-mail: abhinfo@abhmfg.com  
Architectural Builders Hardware Mfg., Inc.  
1222 Ardmore Ave., Itasca, IL 60143  
630.875.9900; FAX 800.9FAXABH (932.9224)

ABH is a minority  
owned and operated  
manufacturing company.

© 2004 ABH Mfg., Inc.  
printed in USA

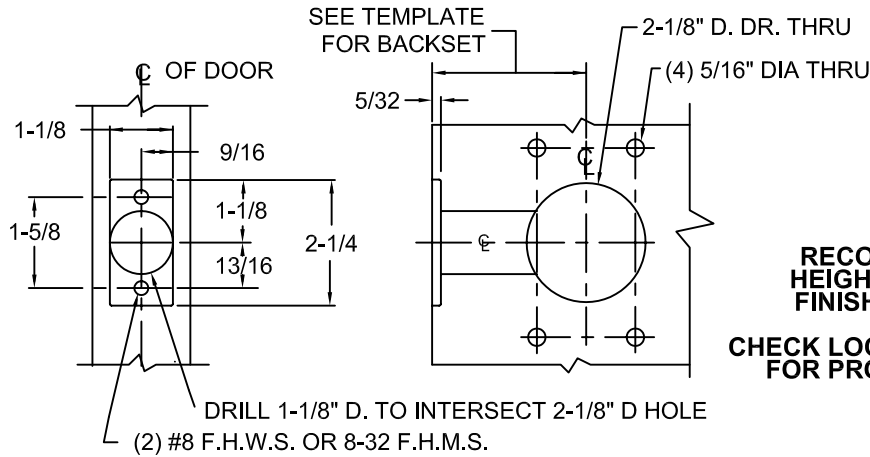
6200

ISSUED 09-08-04

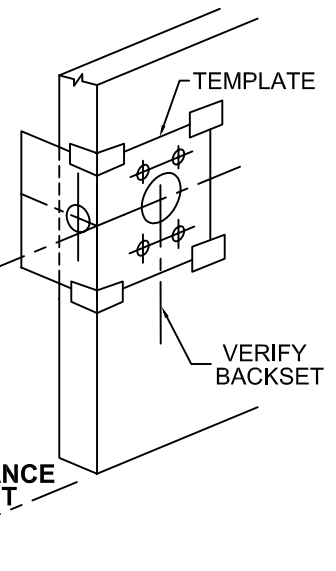
6200-1-00.DWG

**DOOR PREP**

1. Install door
2. Locate horizontal centerline on door
3. Verify backset (2-3/4", 3-3/4", 5" or 7"). Tape template to door.

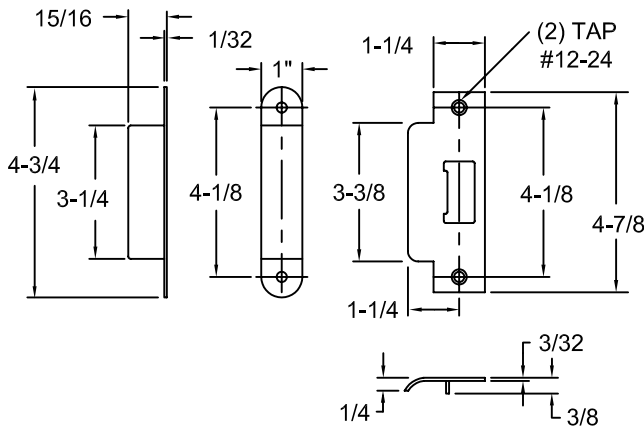
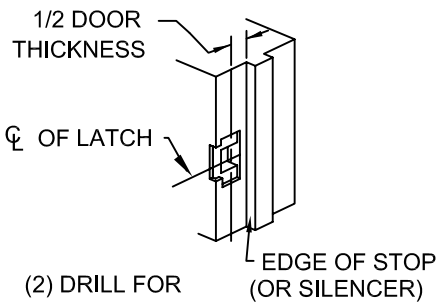


**ADA RECOMMENDED HEIGHT 44" FROM FINISHED FLOOR -OR- CHECK LOCAL ORDINANCE FOR PROPER HEIGHT**



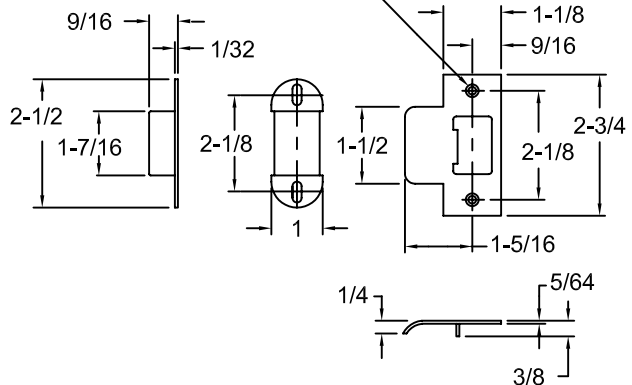
**FRAME PREP**

1. Mark centerline of latch bolt on frame
2. Center strike and mark screw positions
3. Mortise to required strike and box depth



ASA STRIKE & BOX

ALL DIMENSIONS IN INCHES

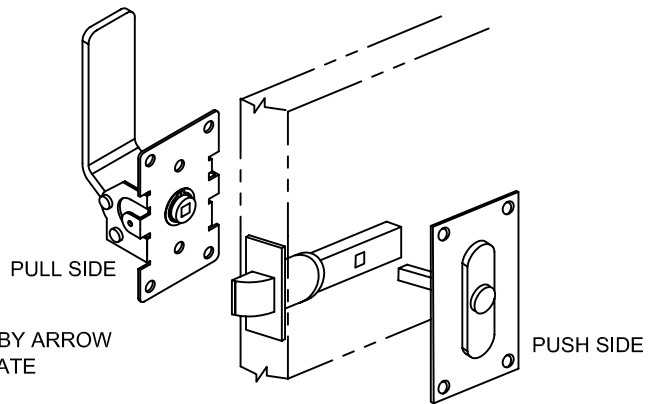


STANDARD STRIKE & BOX

**LATCH/HANDLE ASSEMBLY**

1. Install latch bolt.  
Radius portion of latch bolt must face push side of door.
2. Install pull side handle assembly \* with latch.  
shaft thru latch bolt assembly
3. Mount asylum assembly and install using (4) 10-32 screws with (4) 10-32 sex bolts
4. Mount Cover.

\* CAM PIN MUST BE ROTATED TOWARD SIDE INDICATED BY ARROW STAMPED ON BASE SEE DRAWING ON FRONT OF TEMPLATE



® www.abhmfg.com  
E-mail: abhinfo@abhmfg.com  
Architectural Builders Hardware Mfg., Inc.  
1222 Ardmore Ave., Itasca, IL 60143  
630.875.9900; FAX 800.9FAXABH (932.9224)

© 2007 ABH Mfg., Inc.  
printed in USA

6200-2-02.DWG

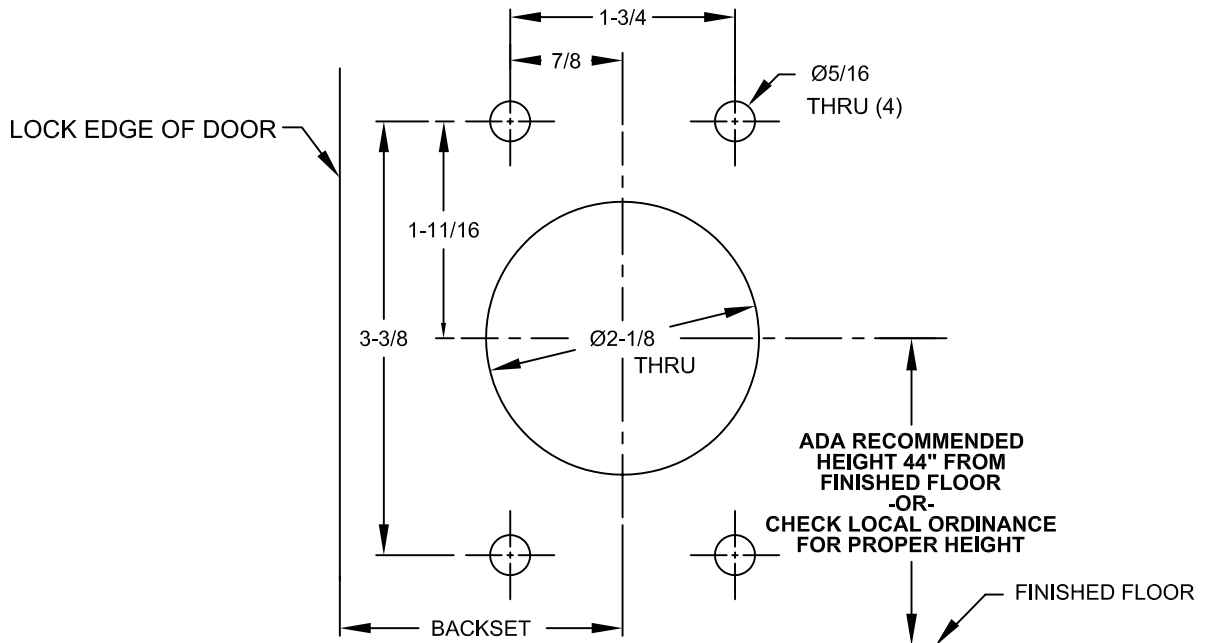
6200

REVISED 01-05-07

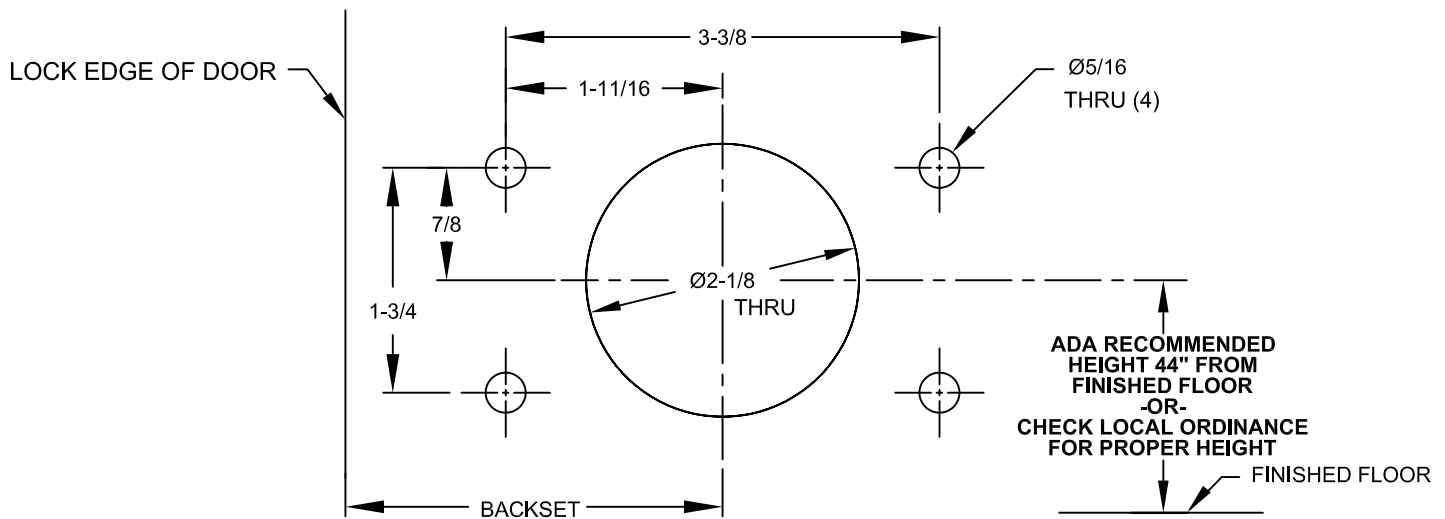
# 6200 SERIES PULL LATCH DOOR PREP INFORMATION FOR HORIZONTAL & VERTICAL MOUNT

**DOOR PREP INFORMATION:**

1. BACKSET DIMENSION FROM LOW EDGE OF BEVEL.
2. CENTER PUNCH ALL HOLES.
3. DRILL HOLES (FOR HOLLOW METAL DOORS, DO NOT DRILL THRU. CENTER PUNCH & DRILL HOLES FROM BOTH SIDES OF DOOR).



**VERTICAL MOUNTING**



**HORIZONTAL MOUNTING**

**DO NOT COPY AND USE THIS AS A TEMPLATE  
PLEASE CALL FACTORY FOR FULL SCALE TEMPLATE**



[www.abhmfg.com](http://www.abhmfg.com)  
 E-mail: [abhinfo@abhmfg.com](mailto:abhinfo@abhmfg.com)  
 Architectural Builders Hardware Mfg., Inc.  
 1222 Ardmore Ave., Itasca, IL 60143  
 630.875.9900; FAX 800.9FAXABH (932.9224)

© 2007 ABH Mfg., Inc.  
 printed in USA

6200-3-02.DWG

**6200**

**REVISED 01-05-07**