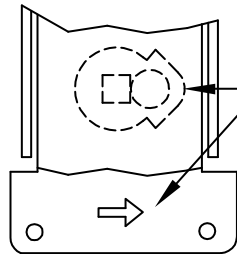
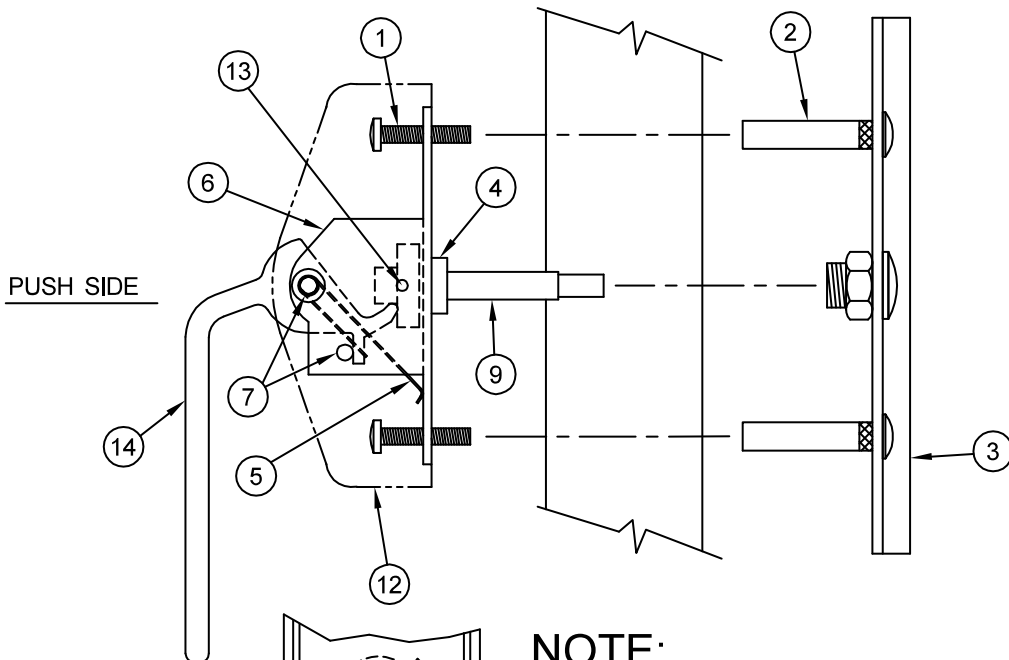


6040M EXIT ONLY PUSH LATCH

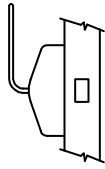
UL US
LISTED



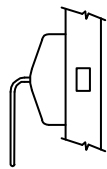
NOTE:

BEFORE MOUNTING PUSH HANDLE,
CAM PIN MUST BE ROTATED TOWARD SIDE
INDICATED BY ARROW STAMPED ON BASE

PUSH SIDE SHOWN FOR EXAMPLE



LEVER
UP



LEVER
DOWN

SCREW DETAIL

ITEM	QTY	PART	ITEM	QTY	PART
1	4	10-23 X 1-1/2" PAN HD M.S.	9	1	CAM ASSEMBLY (MALE)
2	4	10-32x1"L,5/16 O.D. SEX BOLT	10		
3	1	EXIT ONLY SECURITY PLATE ASSEMBLY	11		
4	1EA	WASHERS & C-RING	12	1	COVER
5	1	SPRING	13	2	8-32 X 3/8" F.H.M.S.
6	1	MOUNTING BRACKET	14	1	PUSH SIDE HANDLE
7	2EA	HANDLE SHAFT & COTTER PIN	15		
8			16		

PATENT No. 6,196,599

6040M-1-03.DWG



® www.abhmfg.com

E-mail: abhinfo@abhmfg.com

Architectural Builders Hardware Mfg., Inc.

1222 Ardmore Ave., Itasca, IL 60143

630.875.9900; FAX 800.9FAXABH (932.9224)

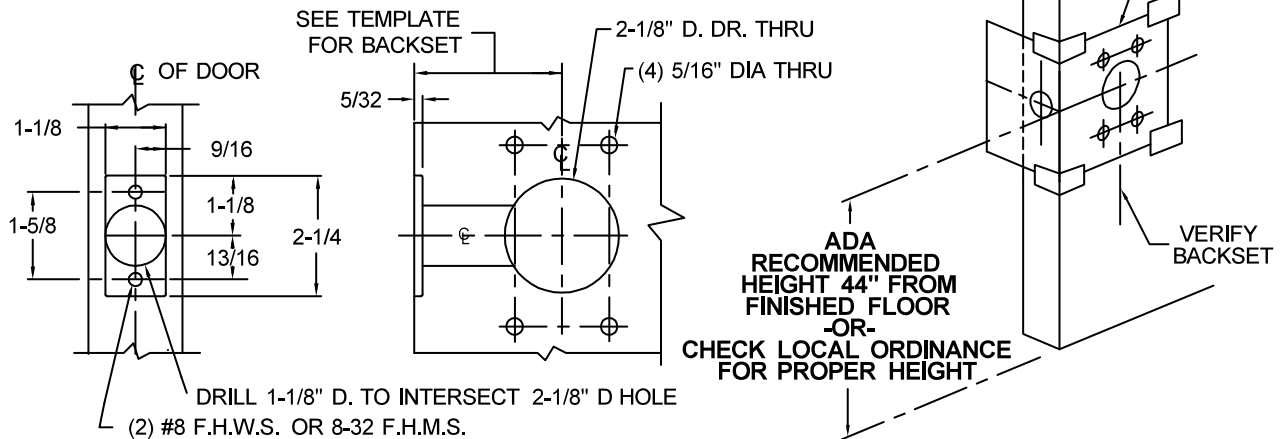
© 2010 ABH Mfg., Inc.
printed in USA

6040M

REVISED 02-08-10

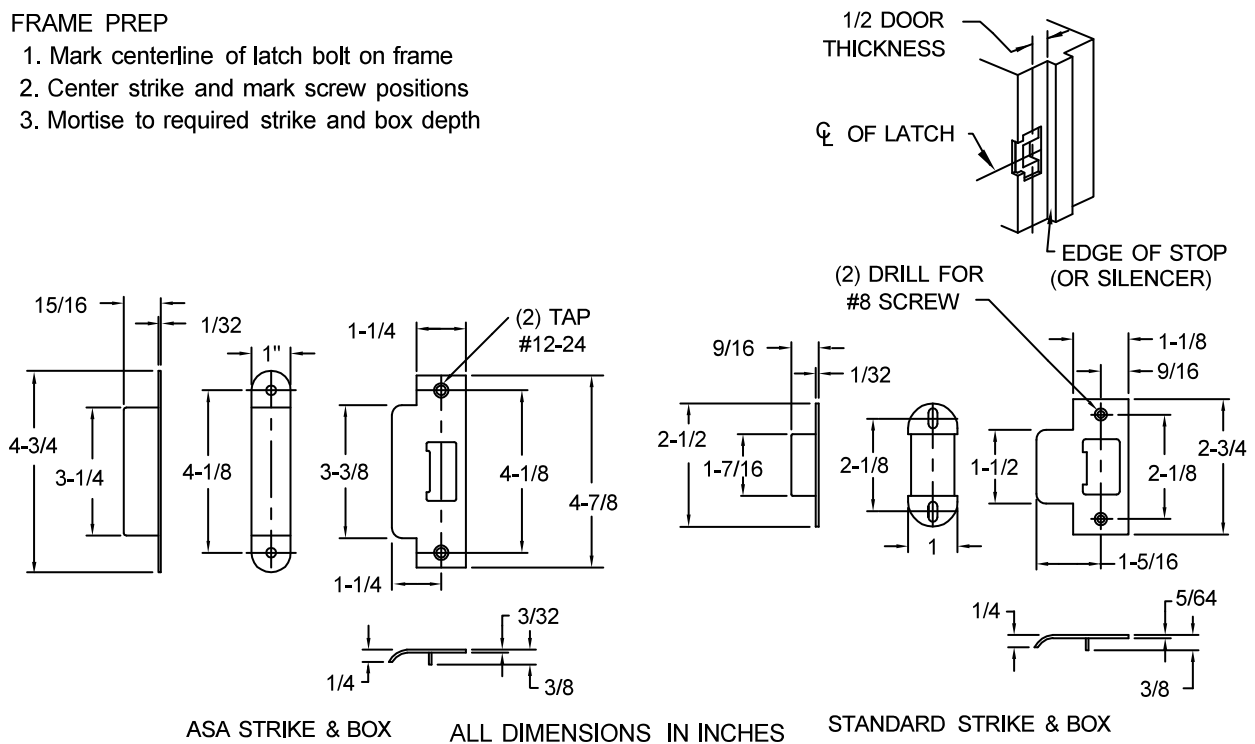
DOOR PREP

1. Install door
2. Locate horizontal centerline on door
3. Verify backset (2-3/4", 3-3/4", 5" or 7"). Tape template to door.



FRAME PREP

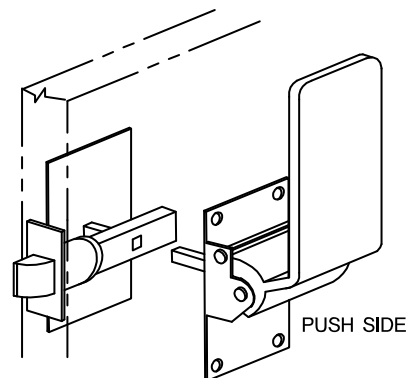
1. Mark centerline of latch bolt on frame
2. Center strike and mark screw positions
3. Mortise to required strike and box depth



LATCH/HANDLE ASSEMBLY

1. Install latch bolt.
Radius portion of latch bolt must face push side of door.
2. Install push side handle assembly * with latch shaft thru latch bolt assembly
3. Mount exit only plat and install using (4) 10-32 screws with (4) 10-32 sex bolts.
4. Mount Cover.

* CAM PIN MUST BE ROTATED TOWARD SIDE INDICATED BY ARROW STAMPED ON BASE SEE DRAWING ON FRONT OF TEMPLATE



® www.abhmfg.com
 E-mail: abhinfo@abhmfg.com
 Architectural Builders Hardware Mfg., Inc.
 1222 Ardmore Ave., Itasca, IL 60143
 630.875.9900; FAX 800.9FAXABH (932.9224)

© 2010 ABH Mfg., Inc.
 printed in USA

6040M-2-03.DWG

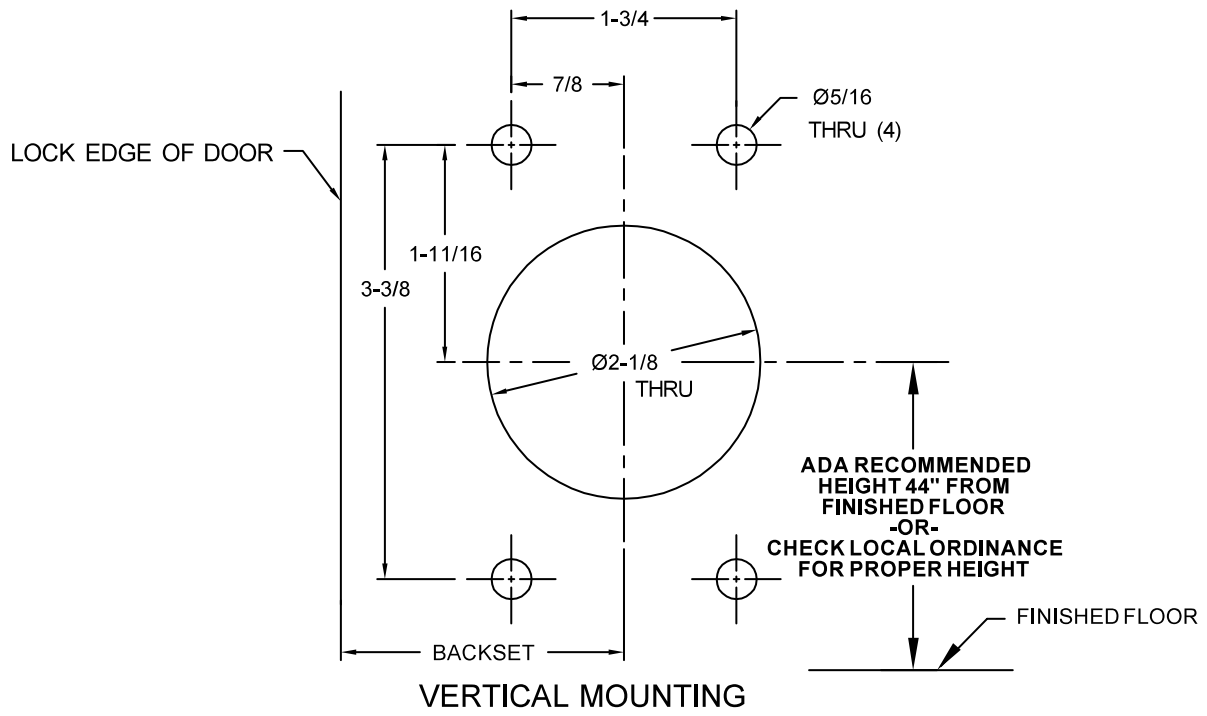
6040M

REVISED 02-08-10

6040M SERIES PUSH LATCH DOOR PREP INFORMATION FOR VERTICAL MOUNT

DOOR PREP INFORMATION:

1. BACKSET DIMENSION FROM LOW EDGE OF BEVEL.
2. CENTER PUNCH ALL HOLES.
3. DRILL HOLES (FOR HOLLOW METAL DOORS, DO NOT DRILL THRU. CENTER PUNCH & DRILL HOLES FROM BOTH SIDES OF DOOR).



**DO NOT COPY AND USE THIS AS A TEMPLATE
PLEASE CALL FACTORY FOR FULL SCALE TEMPLATE**

6040M-3-03.DWG



www.abhmfg.com
 E-mail: abhinfo@abhmfg.com
 Architectural Builders Hardware Mfg., Inc.
 1222 Ardmore Ave., Itasca, IL 60143
 630.875.9900; FAX 800.9FAXABH (932.9224)

© 2010 ABH Mfg., Inc.
printed in USA

6040M

REVISED 02-08-10