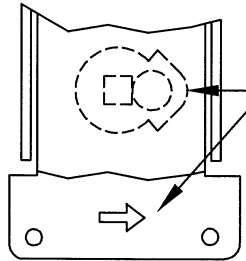
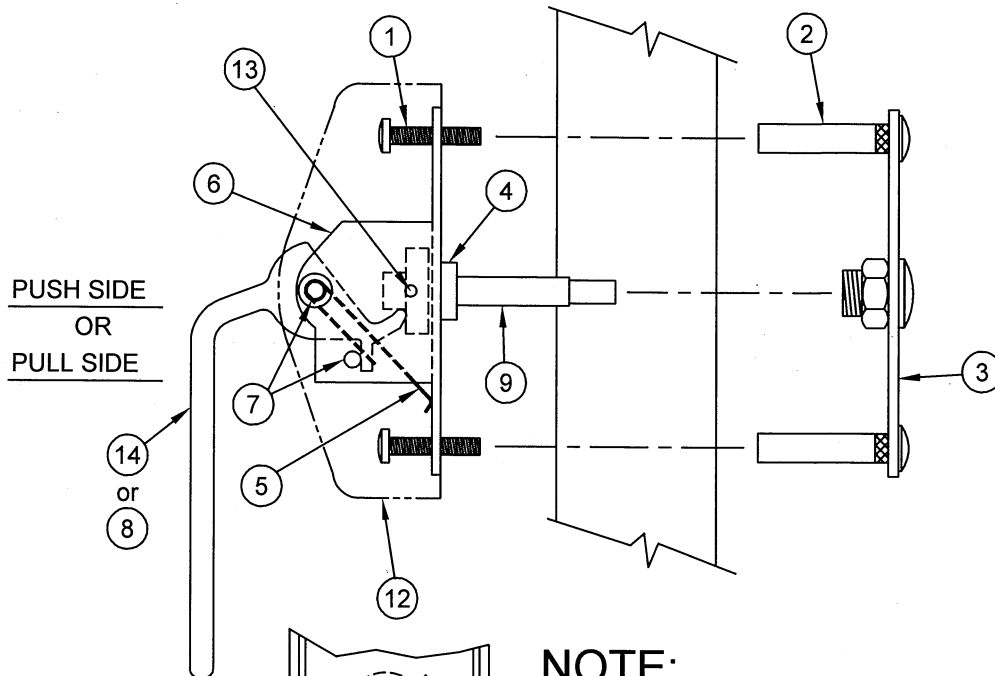


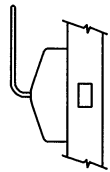
6040 EXIT ONLY PUSH/PULL LATCH



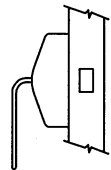
NOTE:

BEFORE MOUNTING PUSH OR PULL HANDLE, CAM PIN MUST BE ROTATED TOWARD SIDE INDICATED BY ARROW STAMPED ON BASE

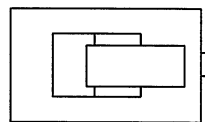
PUSH SIDE SHOWN FOR EXAMPLE



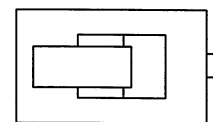
LEVER UP



LEVER DOWN



LEVER HORIZONTAL WITH 7" BACKSET



LEVER HORIZONTAL WITH 5" OR 7" BACKSET

ITEM	QTY	PART	ITEM	QTY	PART
1	4	10-32 X 1-1/2" PAN HD M.S.	9	1	CAM ASSEMBLY (MALE)
2	4	10-32 X 1", 5/16 O.D. SEX BOLT	10		
3	1	EXIT ONLY PLATE ASSEMBLY	11		
4	1EA	WASHERS & C-RING	12	1	COVER
5	1	SPRING	13	2	8-32 X 3/8" F.H.M.S.
6	1	MOUNTING BRACKET	14	1	PUSH SIDE HANDLE
7	2EA	HANDLE SHAFT & COTTER PIN	15		
8	1	PULL SIDE HANDLE	16		

PATENT No. 6,196,599

PAGE 1 OF 3



© www.abhmfg.com
 E-mail: abhinfo@abhmfg.com
 Architectural Builders Hardware Mfg., Inc.
 1222 Ardmore Ave., Itasca, IL 60143
 630.875.9900; FAX 800.9FAXABH (932.9224)

© 2010 ABH Mfg., Inc.
 printed in USA

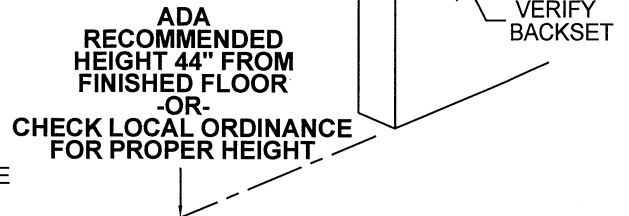
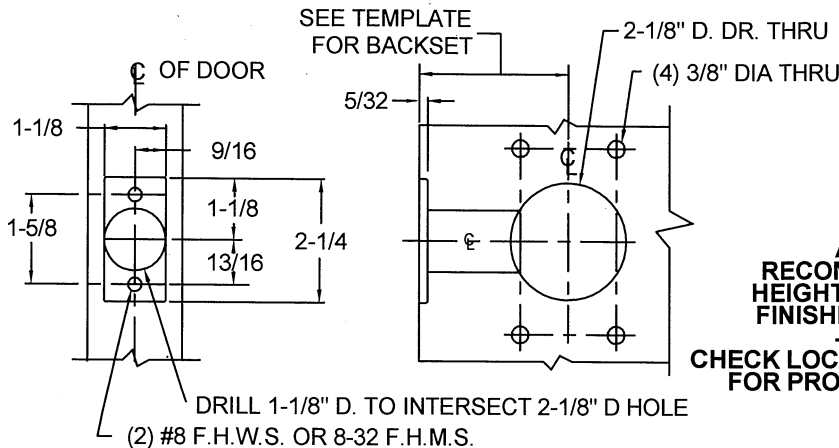
6040-1-04.DWG

6040

REVISED 10-19-10

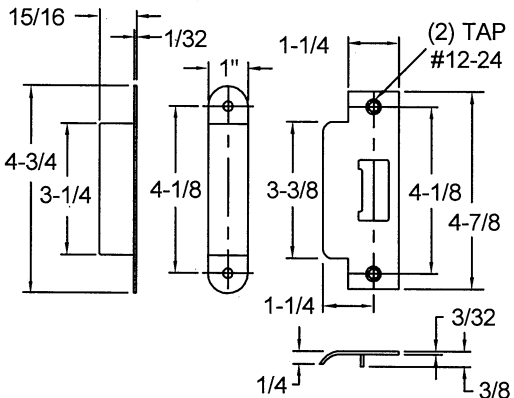
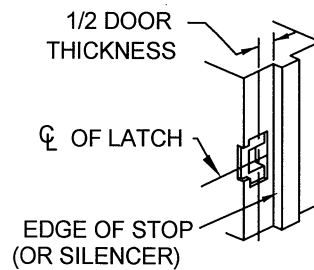
DOOR PREP

1. Install door
2. Locate horizontal centerline on door
3. Verify backset (2-3/4", 3-3/4", 5" or 7"). Tape template to door.

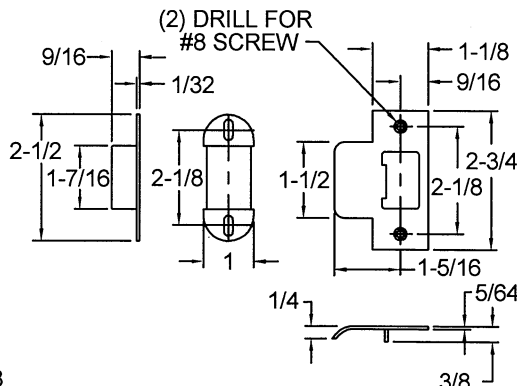


FRAME PREP

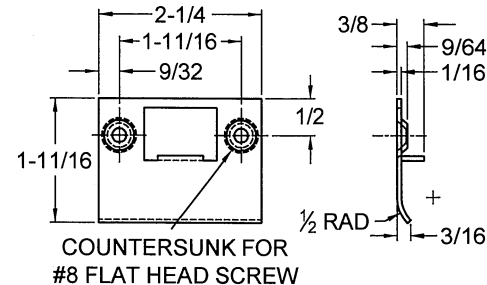
1. Mark centerline of latch bolt on frame
2. Center strike and mark screw positions
3. Mortise to required strike and box depth



ASA STRIKE & BOX



STANDARD STRIKE & BOX



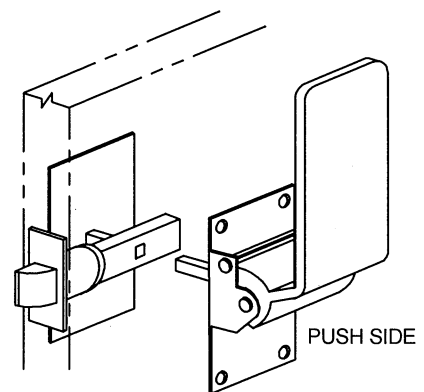
FULL LIP STRIKE ("D" STRIKE)

ALL DIMENSIONS IN INCHES

LATCH/HANDLE ASSEMBLY

1. Install latch bolt.
Radius portion of latch bolt must face push side of door.
2. Install push or pull side handle assembly * with latch shaft thru latch bolt assembly.
3. Mount Exit only plate and install using (4) 10-32 screws with (4) 10-32 sex bolts.
4. Mount Cover.

* CAM PIN MUST BE ROTATED TOWARD SIDE INDICATED BY ARROW STAMPED ON BASE SEE DRAWING ON FRONT OF TEMPLATE



® www.abhmfg.com
 E-mail: abhinfo@abhmfg.com
 Architectural Builders Hardware Mfg., Inc.
 1222 Ardmore Ave., Itasca, IL 60143
 630.875.9900; FAX 800.9FAXABH (932.9224)

© 2010 ABH Mfg., Inc.
 printed in USA

6040-2-04.DWG

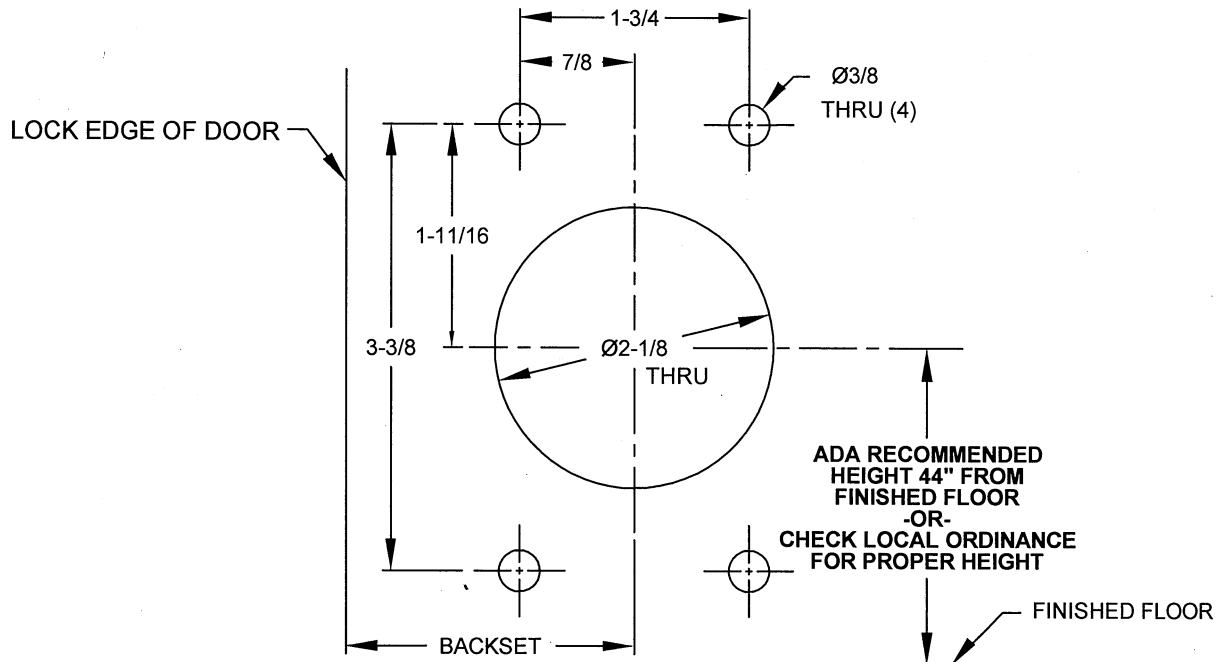
6040

REVISED 10-19-10

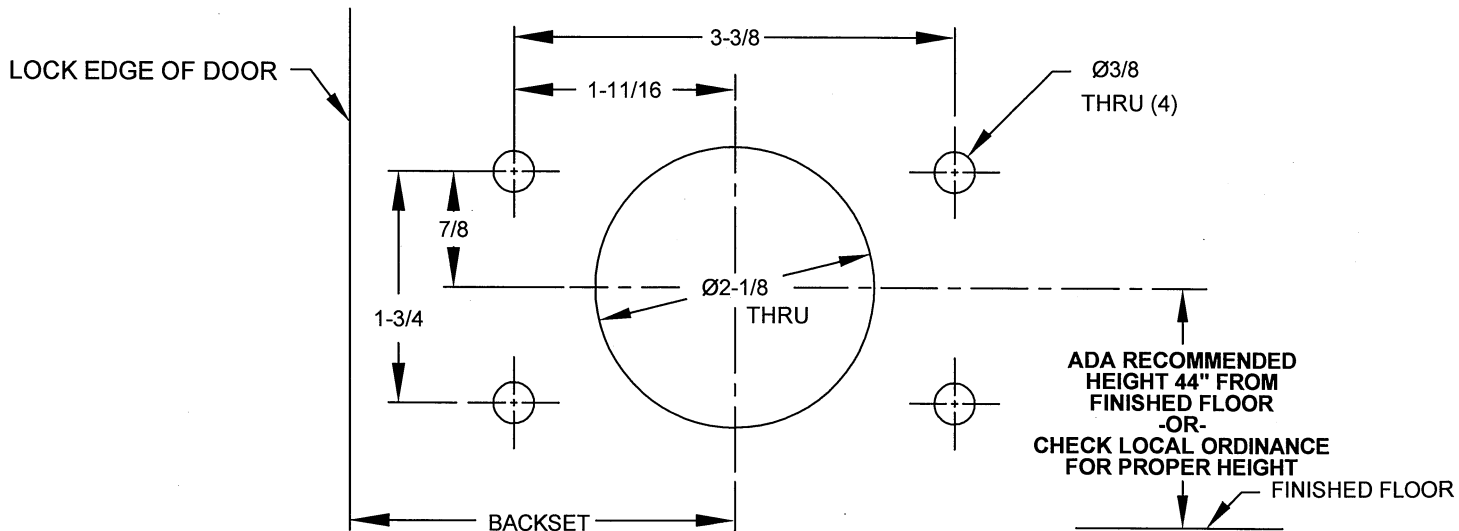
6040 SERIES PUSH/PULL LATCH DOOR PREP INFORMATION FOR HORIZONTAL & VERTICAL MOUNT

DOOR PREP INFORMATION:

1. BACKSET DIMENSION FROM LOW EDGE OF BEVEL.
2. CENTER PUNCH ALL HOLES.
3. DRILL HOLES (FOR HOLLOW METAL DOORS, DO NOT DRILL THRU. CENTER PUNCH & DRILL HOLES FROM BOTH SIDES OF DOOR).



VERTICAL MOUNTING



HORIZONTAL MOUNTING

**DO NOT COPY AND USE THIS AS A TEMPLATE
PLEASE CALL FACTORY FOR FULL SCALE TEMPLATE**



© www.abhmfg.com
 E-mail: abhinfo@abhmfg.com
 Architectural Builders Hardware Mfg., Inc.
 1222 Ardmore Ave., Itasca, IL 60143
 630.875.9900; FAX 800.9FAXABH (932.9224)

© 2010 ABH Mfg., Inc.
printed in USA

6040-3-04.DWG

6040

REVISED 10-19-10