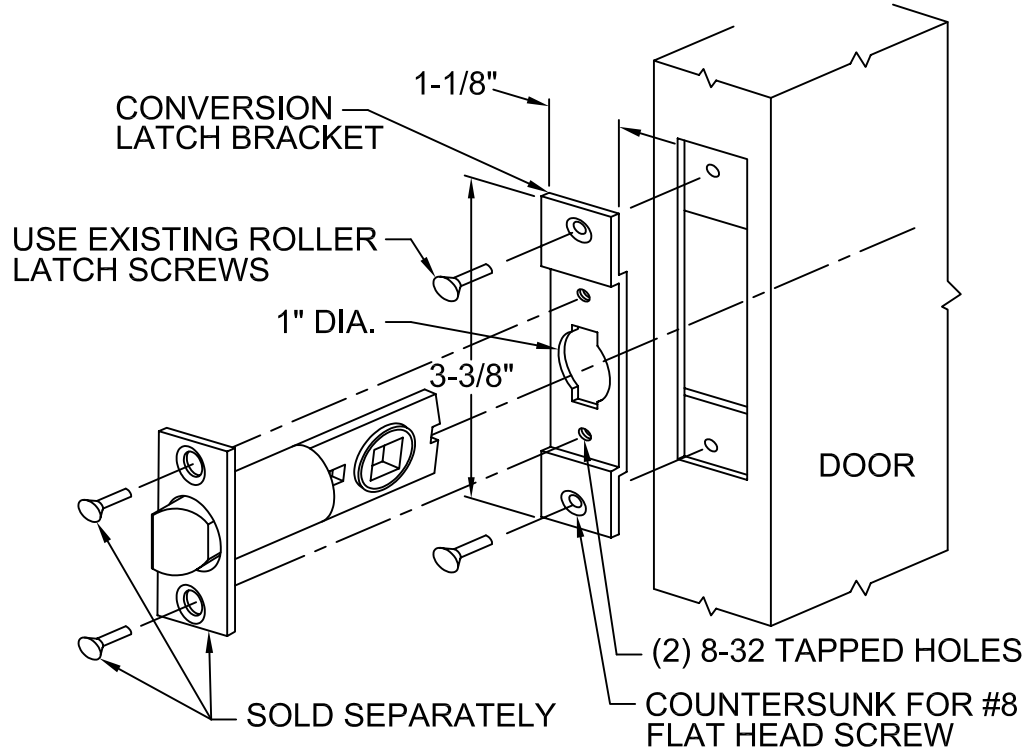
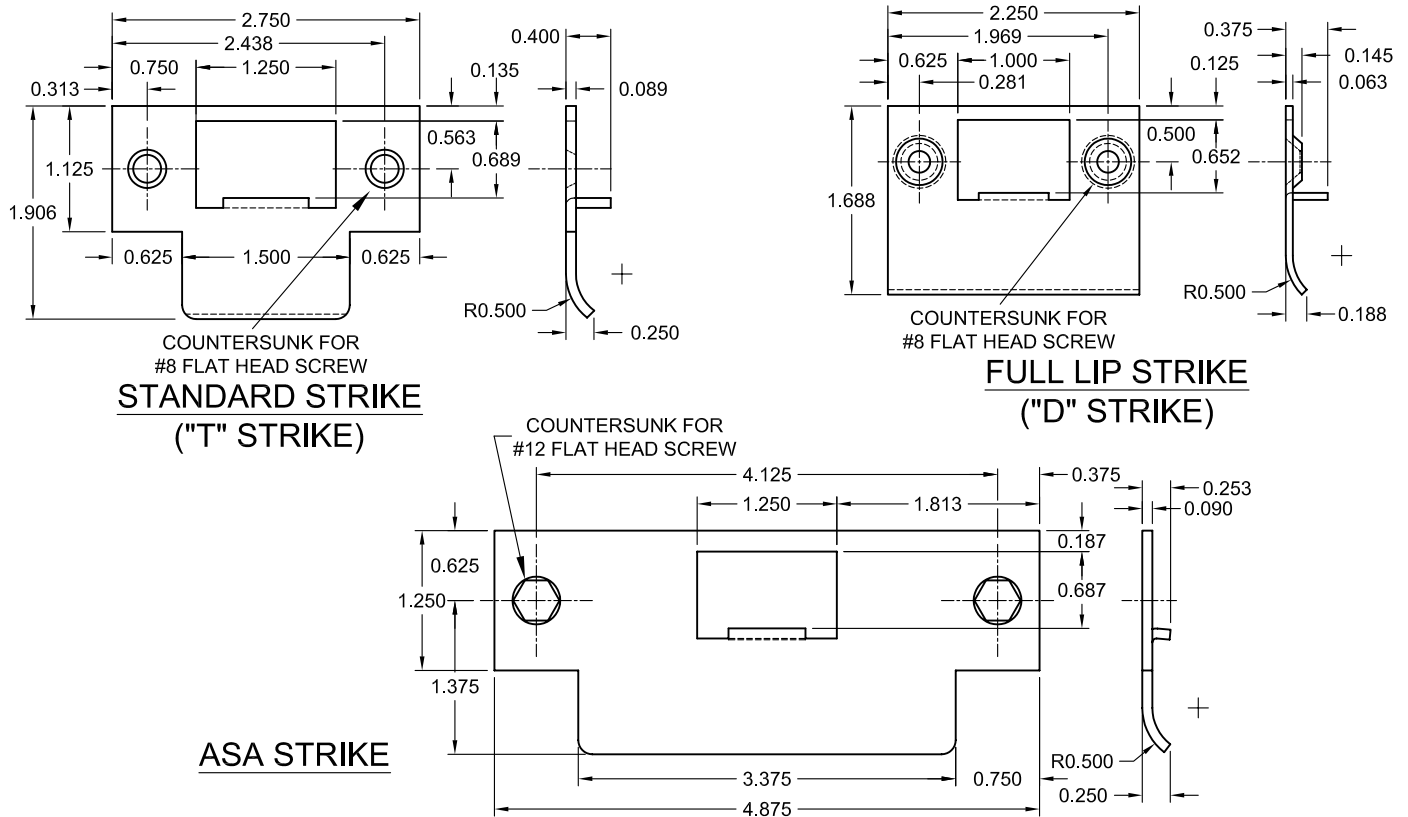


601LB ROLLER LATCH CONVERSION KIT



NOTES:

1. **KIT CONTAINS** (1) CONVERSION LATCH BRACKET AND (1) STRIKE PLATE.
2. CONVERSION IS ACCOMPLISHED UTILIZING EXISTING SCREW AND DOOR PREPARATIONS WITH **MINIMAL ALTERATIONS**.
3. SUPPLIED WITH STANDARD OR FULL LIP OR ASA STRIKE PLATE.



© www.abhmfg.com
 E-mail: abhinfo@abhmfg.com
 Architectural Builders Hardware Mfg., Inc.
 1222 Ardmore Ave., Itasca, IL 60143
 630.875.9900; FAX 800.9FAXABH (932.9224)

© 2006 ABH Mfg., Inc.
 printed in USA

601LB

REVISED 01-24-06

601LB-03.DWG