

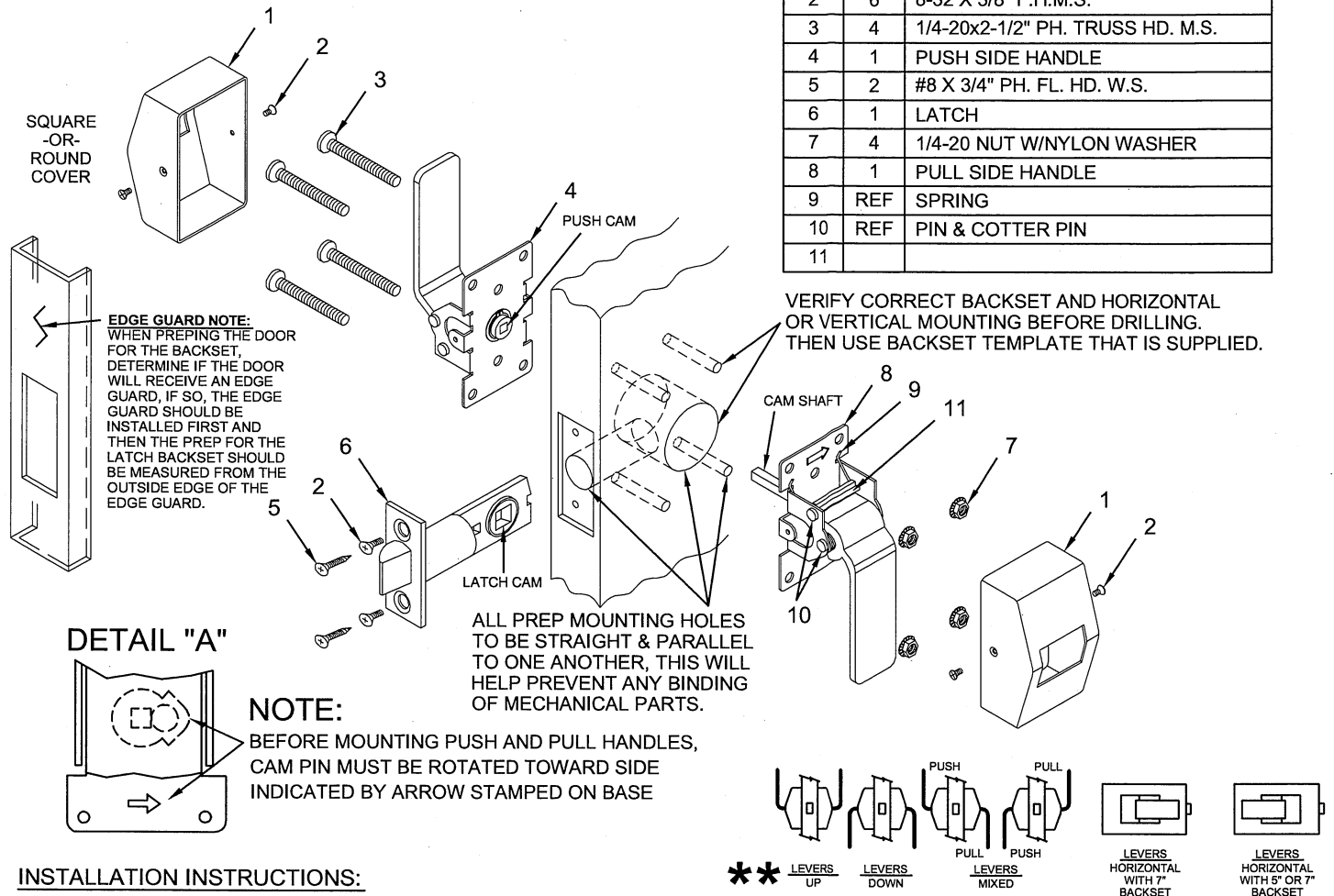
# 6000 SERIES INSTALLATION



## NOTES

1. TRIM CAN BE MOUNTED UP, DOWN, HORIZONTALLY OR VERTICALLY. \*\*
2. USES STANDARD 161 DOOR PREP.
3. VISION LITE MUST BE AT LEAST 6" FROM CENTERLINE OF TRIM.

ITEM	QTY	PART DESCRIPTION
1	2	COVER
2	6	8-32 X 3/8" F.H.M.S.
3	4	1/4-20x2-1/2" PH. TRUSS HD. M.S.
4	1	PUSH SIDE HANDLE
5	2	#8 X 3/4" PH. FL. HD. W.S.
6	1	LATCH
7	4	1/4-20 NUT W/NYLON WASHER
8	1	PULL SIDE HANDLE
9	REF	SPRING
10	REF	PIN & COTTER PIN
11		



## INSTALLATION INSTRUCTIONS:

1. PREP DOOR ACCORDING TO LATCH BACKSET AND DETERMINE IF TRIM IS TO BE MOUNTED HORIZONTAL OR VERTICAL MOUNTING USING BACKSET TEMPLATE.
2. INSTALL LATCH USING EITHER WOOD (item 5) OR MACHINE SCREWS (item 2) DEPENDING ON DOOR TYPE.
3. ASSEMBLE TRIM:
  - A) TEST BOTH HANDLES TO DETERMINE WHICH IS THE PUSH OR PULL TYPE.
  - B) SELECT THE PULL TRIM FIRST. WITH TRIM IN HAND, ROTATE THE CAM ASSEMBLY UNTIL THE CAM PIN STOPS ON THE APPROPRIATE SIDE INDICATED BY THE ARROW (SEE DETAIL "A"), SAME FOR PUSH TRIM.
  - C) PLACE PULL SIDE HANDLE ON PULL SIDE OF THE DOOR AND SLIDE CAM SHAFT THROUGH THE LATCH CAM, THEN PLACE THE PUSH SIDE HANDLE ON THE PUSH SIDE OF THE DOOR ENGAGING THE PUSH CAM ONTO THE PULL SIDE CAM SHAFT. FASTEN BY HAND BOTH TRIM HANDLES WITH (4) 1/4-20x2-1/2" MACHINE SCREWS (item 3) WITH (4) 1/4-20 HEXNUTS (item 7). TEST BOTH TRIM HANDLES FOR FREE MOVEMENT OF THE LATCH BOLT BEFORE TIGHTENING ALL SCREWS. IF LATCH BOLT DOES NOT EXTEND OR RETRACT FREELY BECAUSE OF ANY TYPE OF BINDING. LOOSEN MOUNTING SCREWS TO ADJUST ALIGNMENT OF TRIM HANDLES AND RETIGHTEN SCREWS ONE AT A TIME WHILE CHECKING LATCH BOLT MOVEMENT FROM BOTH HANDLES.
  - D) TEST FOR PROPER OPERATION AND CHECK THAT THE MOUNTING HARDWARE (item 3) & (item 7) \* **IS TIGHT** BEFORE PROCEEDING WITH THE NEXT STEP.
  - E) PLACE COVERS (item 1) OVER PUSH/PULL TRIMS AND SECURE WITH (2) FLAT HEAD SCREWS (item 2) ON EACH COVER.

PATENT No. 6,196,599



® [www.abhmfg.com](http://www.abhmfg.com)  
 E-mail: [abhinfo@abhmfg.com](mailto:abhinfo@abhmfg.com)  
 Architectural Builders Hardware Mfg., Inc.  
 1222 Ardmore Ave., Itasca, IL 60143  
 630.875.9900; FAX 800.9FAXABH (932.9224)

©2012 ABH Mfg., Inc.  
 printed in USA

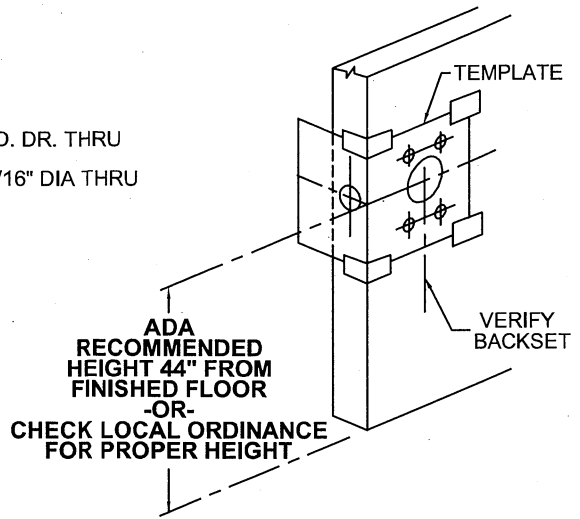
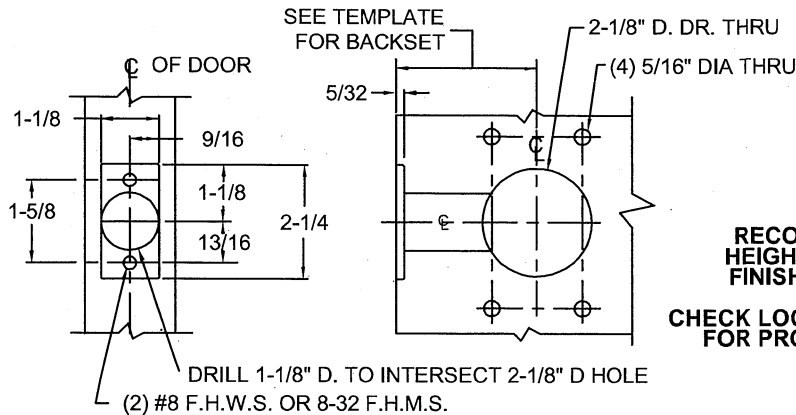
6000-1-08.DWG

6000

REVISED 02-07-12

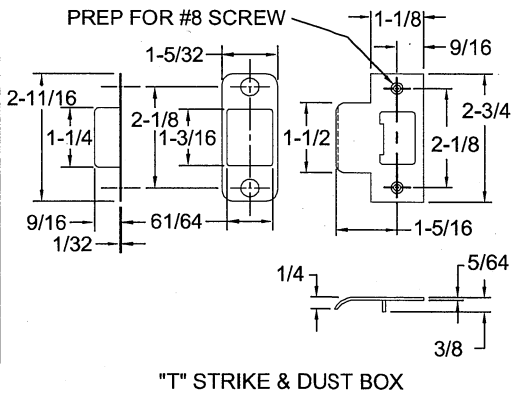
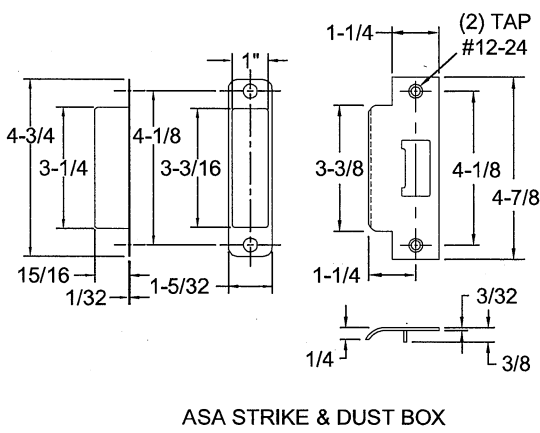
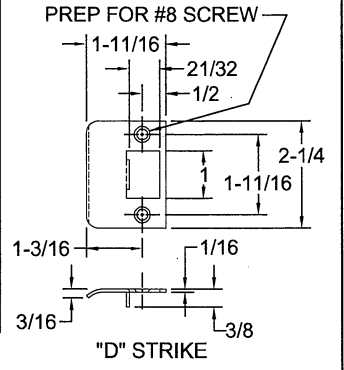
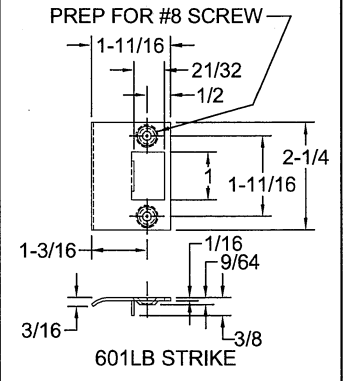
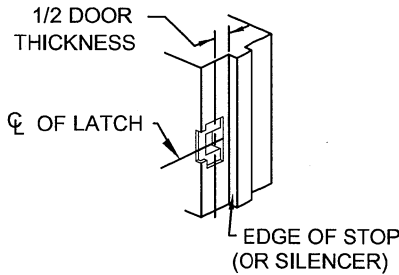
**DOOR PREP**

1. Install door
2. Locate horizontal centerline on door
3. Verify backset (2-3/4", 3-3/4", 5" or 7"). Tape template to door.



**FRAME PREP**

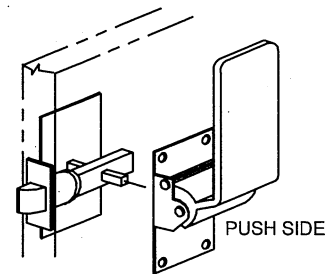
1. Mark centerline of latch bolt on frame
2. Center strike and mark screw positions
3. Mortise to required strike and box depth
4. All dimensions in inches.



**LATCH/HANDLE ASSEMBLY**

1. Install latch bolt.  
Radius portion of latch bolt must face push side of door.
2. Install pull side handle assembly \* with latch shaft thru latch bolt assembly
3. Mount push side handle \* and install (4) 1/4-20x2-1/2" screws with nuts.
4. Mount Cover.

\* CAM PIN MUST BE ROTATED TOWARD SIDE INDICATED BY ARROW STAMPED ON BASE SEE DRAWING ON FRONT OF TEMPLATE



www.abhmfg.com  
 E-mail: abhinfo@abhmfg.com  
 Architectural Builders Hardware Mfg., Inc.  
 1222 Ardmore Ave., Itasca, IL 60143  
 630.875.9900; FAX 800.9FAXABH (932.9224)

©2012 ABH Mfg., Inc.  
 printed in USA

6000-2-08.DWG

6000

REVISED 02-07-12

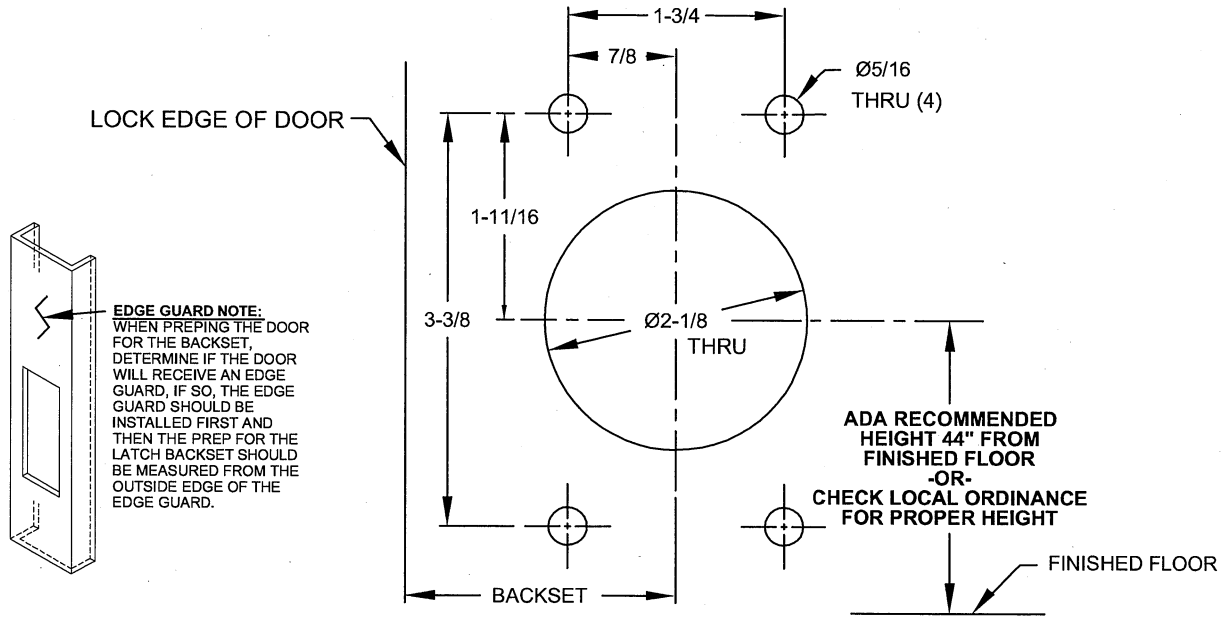
**6000 SERIES  
PUSH/PULL LATCH DOOR PREP INFORMATION FOR  
HORIZONTAL & VERTICAL MOUNT**

**DO NOT COPY AND USE THIS AS A TEMPLATE**

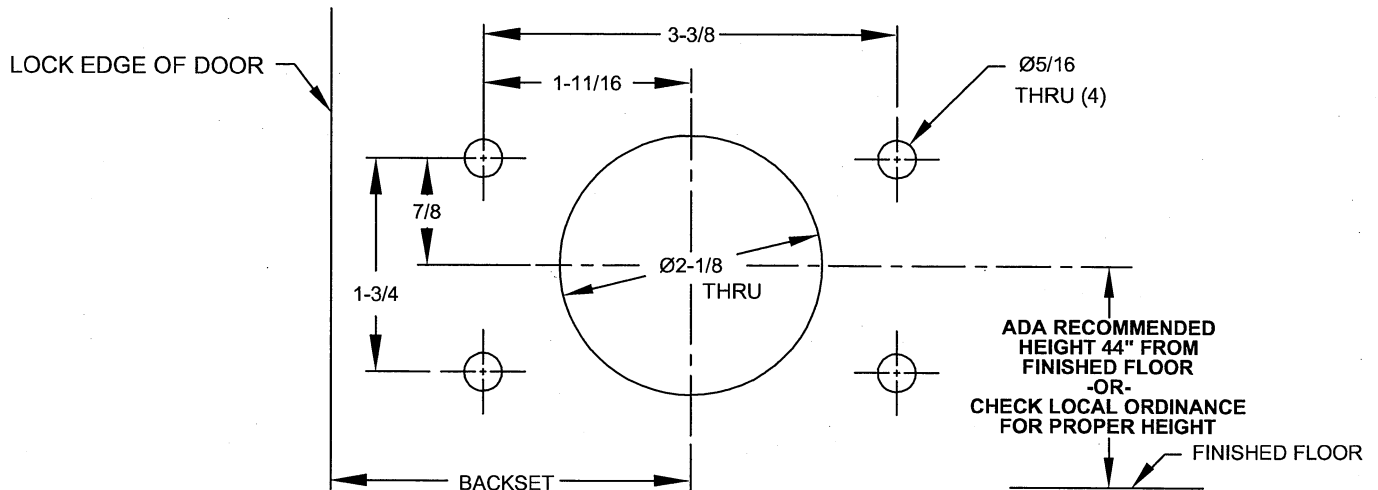
**PLEASE CALL FACTORY FOR FULL SCALE TEMPLATE**

**DOOR PREP INFORMATION:**

1. BACKSET DIMENSION FROM LOW EDGE OF BEVEL.
2. CENTER PUNCH ALL HOLES.
3. DRILL HOLES (FOR HOLLOW METAL DOORS, DO NOT DRILL THRU. CENTER PUNCH & DRILL HOLES FROM BOTH SIDES OF DOOR).



**VERTICAL MOUNTING**



**HORIZONTAL MOUNTING**



® [www.abhmfg.com](http://www.abhmfg.com)  
 E-mail: [abhinfo@abhmfg.com](mailto:abhinfo@abhmfg.com)  
 Architectural Builders Hardware Mfg., Inc.  
 1222 Ardmore Ave., Itasca, IL 60143  
 630.875.9900; FAX 800.9FAXABH (932.9224)

©2012 ABH Mfg., Inc.  
 printed in USA

6000-3-08.DWG

**6000**

**REVISED 02-07-12**