

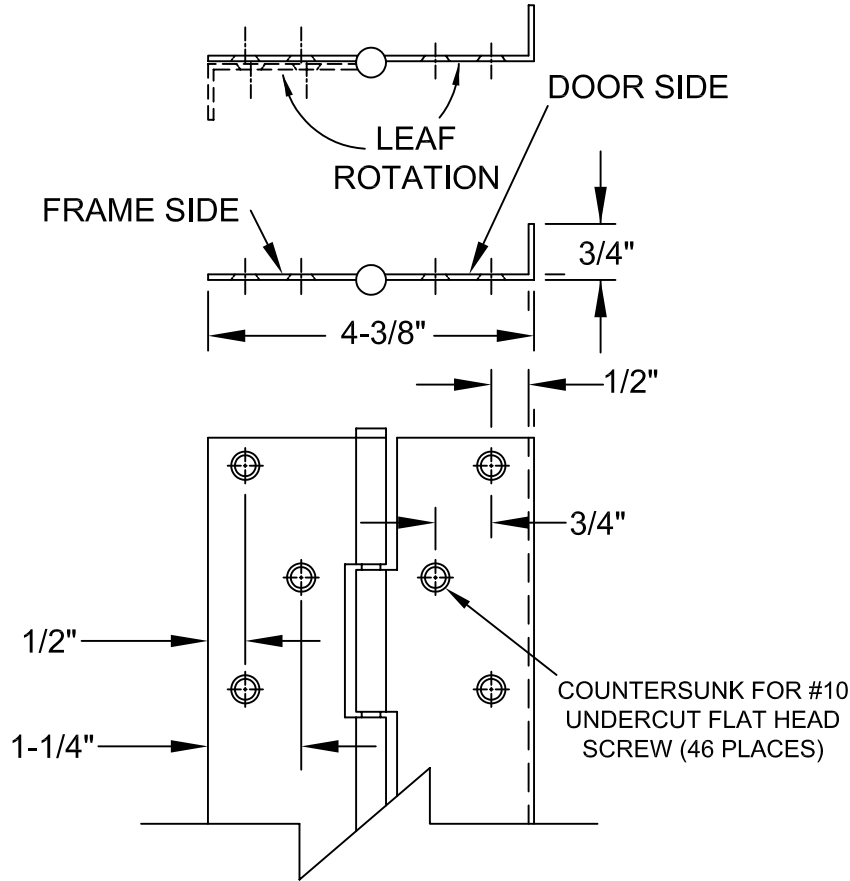
HINGE MODEL: A515 - WITH EDGE GUARD

STANDARD HINGE LENGTH CONVERSION CHART
A 95.00" ACTUAL LENGTH = AN 8'0" DOOR OPENING

95.000 (8'0")

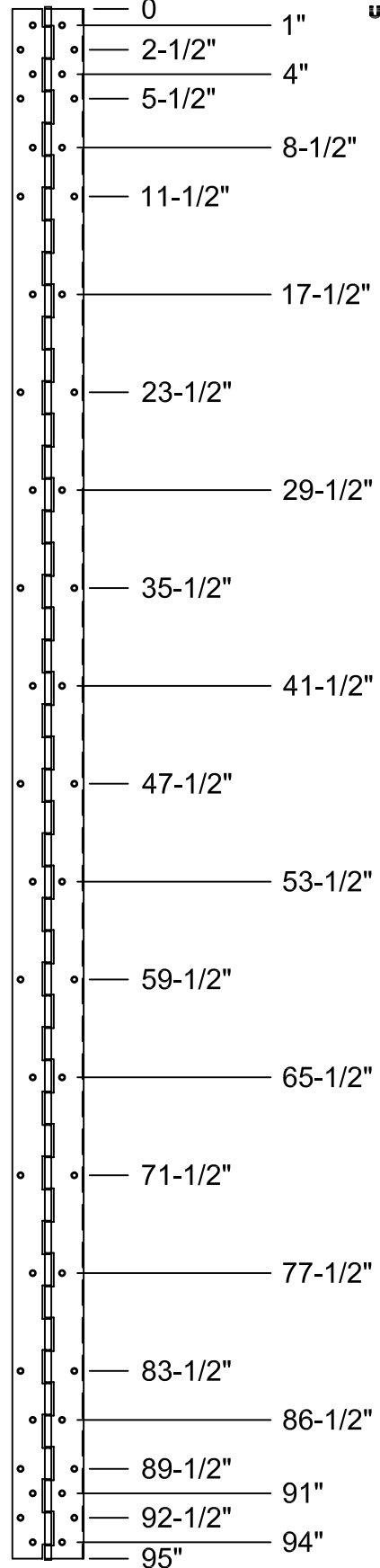
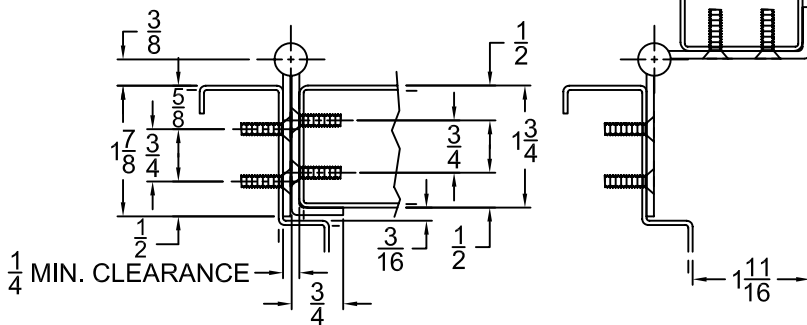


SCREW DETAIL	
QTY.	DESCRIPTION
46	10-24x7/8" PHILLIPS FLAT HEAD UNDERCUT SELF-DRILLING MACHINE SCREW
46	#10x1.250" PHILLIPS FLAT HEAD UNDERCUT SHEET METAL SCREW



90° Open Position

Closed Position



www.abhmf.com
E-mail: abhinfo@abhmf.com
Architectural Builders Hardware Mfg., Inc.
1222 Ardmore Ave., Itasca, IL 60143
630.875.9900; FAX 800.9FAXABH (932.9224)

© 2006 ABH Mfg., Inc.
printed in USA

A515-95.000

REVISED 05-25-06

A515-95.000-03.DWG