

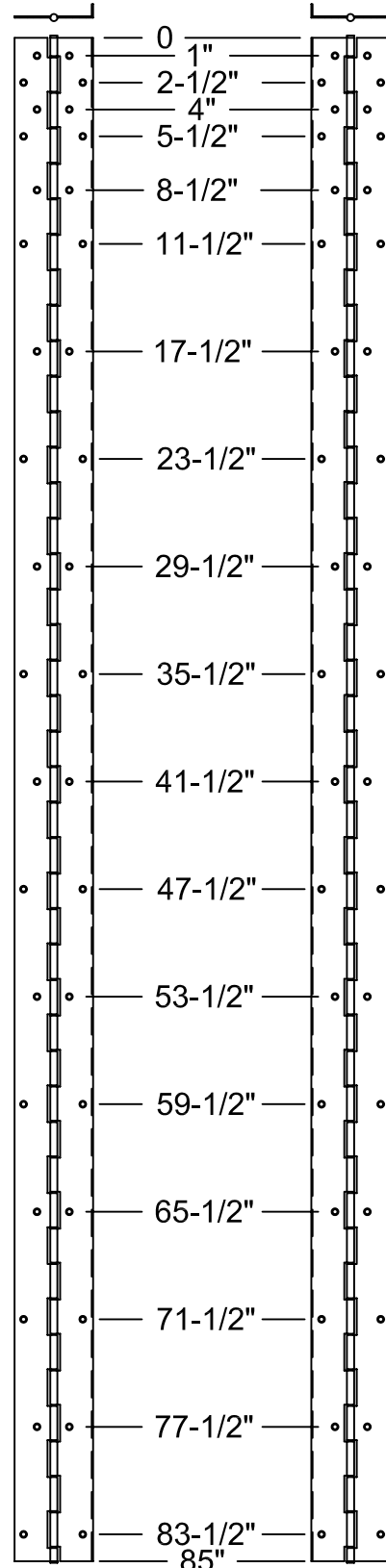
# HINGE MODEL: A515 - WITH EDGE GUARD

85.000" (7'2")



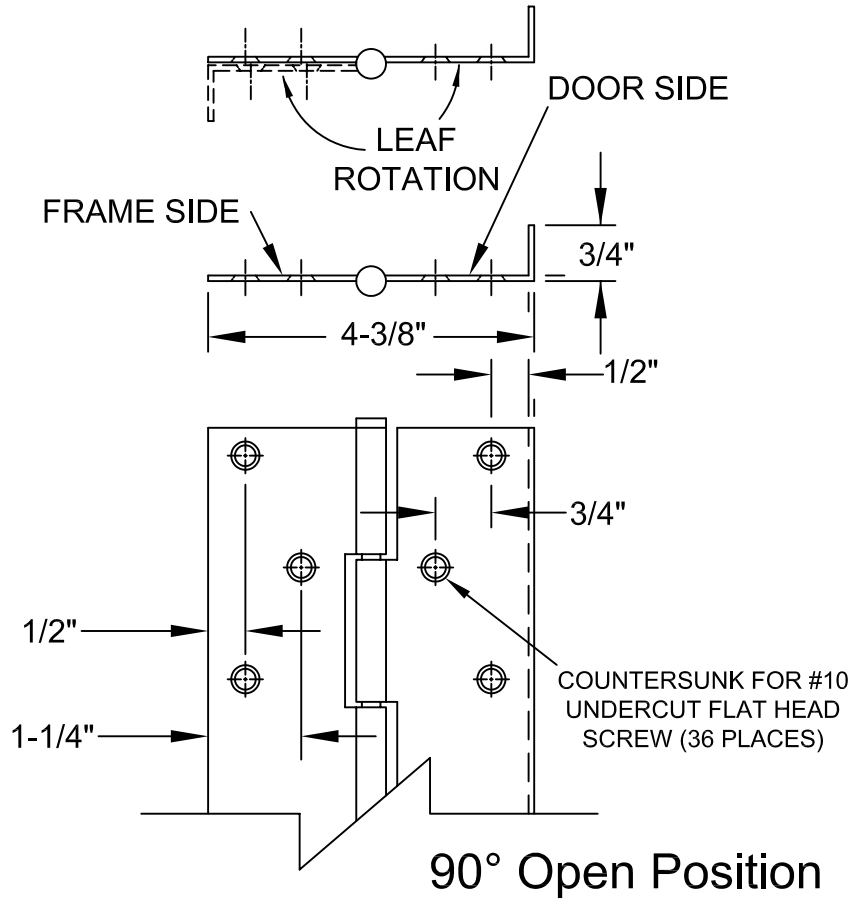
STANDARD HINGE LENGTH CONVERSION CHART  
A 85.00" ACTUAL LENGTH = AN 7'2" DOOR OPENING

LEFT HANDED      RIGHT HANDED



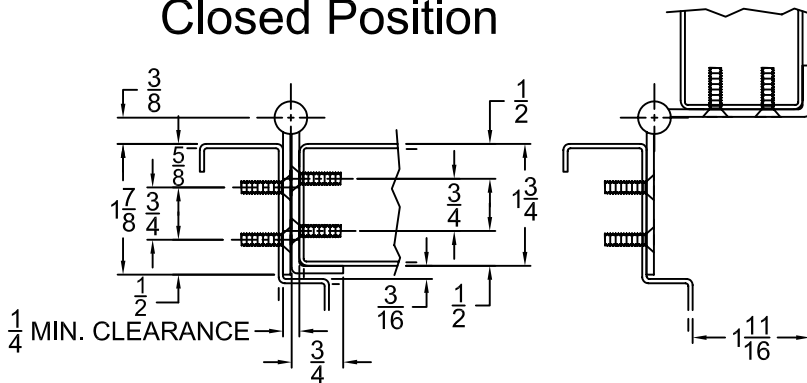
SCREW DETAIL	
QTY.	DESCRIPTION
36	10-24x7/8" PHILLIPS FLAT HEAD UNDERCUT SELF-DRILLING MACHINE SCREW
36	#10x1.250" PHILLIPS FLAT HEAD UNDERCUT SHEET METAL SCREW

## LEFT HANDED DETAIL SHOWN



90° Open Position

## Closed Position



NOTE: THIS HINGE LENGTH REQUIRES HANDING  
PLEASE CONSULT FACTORY FOR DETAIL.

A515-85.000-03.DWG



® www.abhmf.com  
E-mail: abhinfo@abhmf.com  
Architectural Builders Hardware Mfg., Inc.  
1222 Ardmore Ave., Itasca, IL 60143  
630.875.9900; FAX 800.9FAXABH (932.9224)

© 2006 ABH Mfg., Inc.  
printed in USA

A515-85.000

REVISED 05-25-06