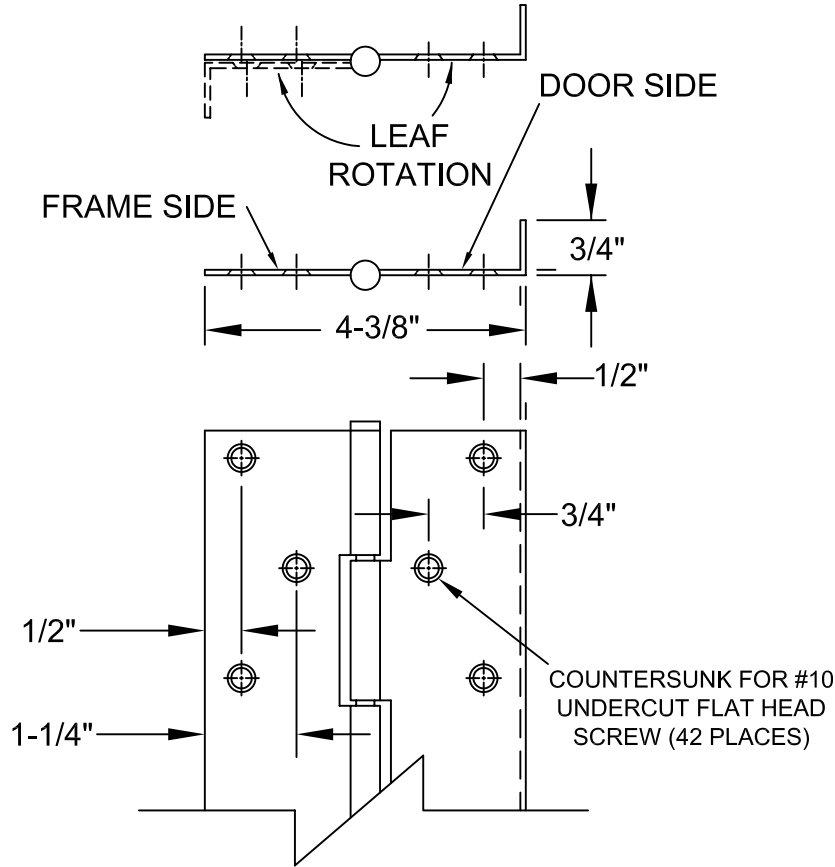




# HINGE MODEL: A515 - WITH EDGE GUARD

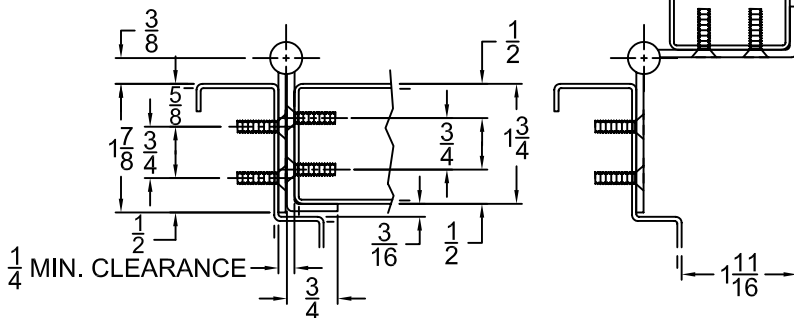
STANDARD HINGE LENGTH CONVERSION CHART  
A 83.125" ACTUAL LENGTH = AN 7' DOOR OPENING

SCREW DETAIL	
QTY.	DESCRIPTION
42	10-24x7/8" PHILLIPS FLAT HEAD UNDERCUT SELF-DRILLING MACHINE SCREW
42	#10x1.250" PHILLIPS FLAT HEAD UNDERCUT SHEET METAL SCREW

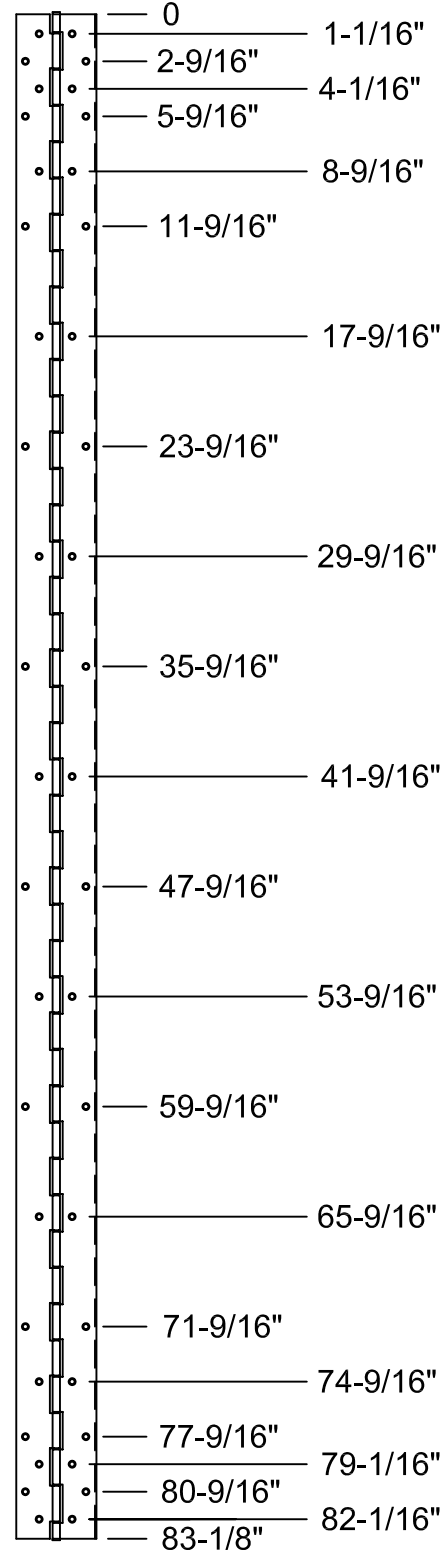


90° Open Position

Closed Position



83.125" (7')



® www.abhmfg.com  
E-mail: abhinfo@abhmfg.com  
Architectural Builders Hardware Mfg., Inc.  
1222 Ardmore Ave., Itasca, IL 60143  
630.875.9900; FAX 800.9FAXABH (932.9224)

A515-83.125-03.DWG

A515-83.125

© 2006 ABH Mfg., Inc.  
printed in USA

REVISED 05-25-06