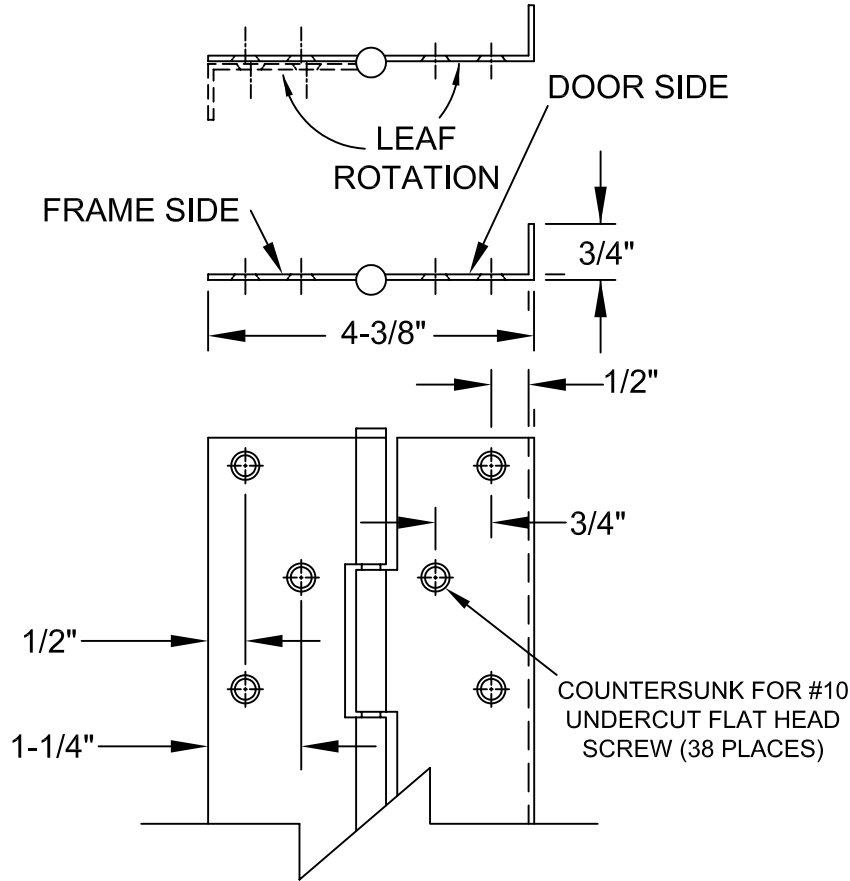




HINGE MODEL: A515 - WITH EDGE GUARD

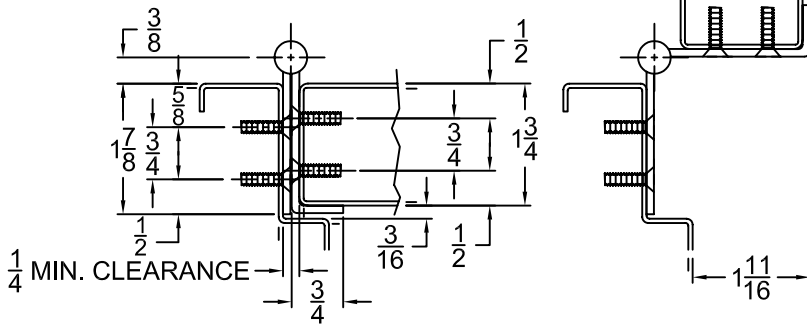
STANDARD HINGE LENGTH CONVERSION CHART
A 78.750" ACTUAL LENGTH = AN 6'8" DOOR OPENING

SCREW DETAIL	
QTY.	DESCRIPTION
38	10-24x7/8" PHILLIPS FLAT HEAD UNDERCUT SELF-DRILLING MACHINE SCREW
38	#10x1.250" PHILLIPS FLAT HEAD UNDERCUT SHEET METAL SCREW

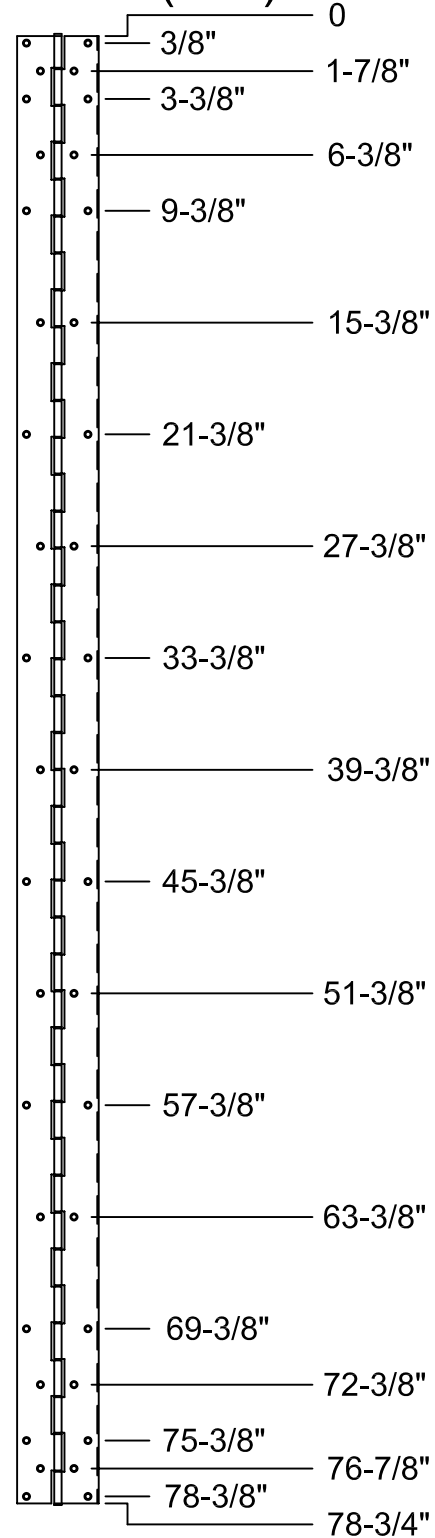


90° Open Position

Closed Position



78.750 (6'8")



A515-78.750-04.DWG



® www.abhmfg.com
E-mail: abhinfo@abhmfg.com
Architectural Builders Hardware Mfg., Inc.
1222 Ardmore Ave., Itasca, IL 60143
630.875.9900; FAX 800.9FAXABH (932.9224)

© 2006 ABH Mfg., Inc.
printed in USA

A515-78.750

REVISED 05-25-06