

HINGE MODEL:

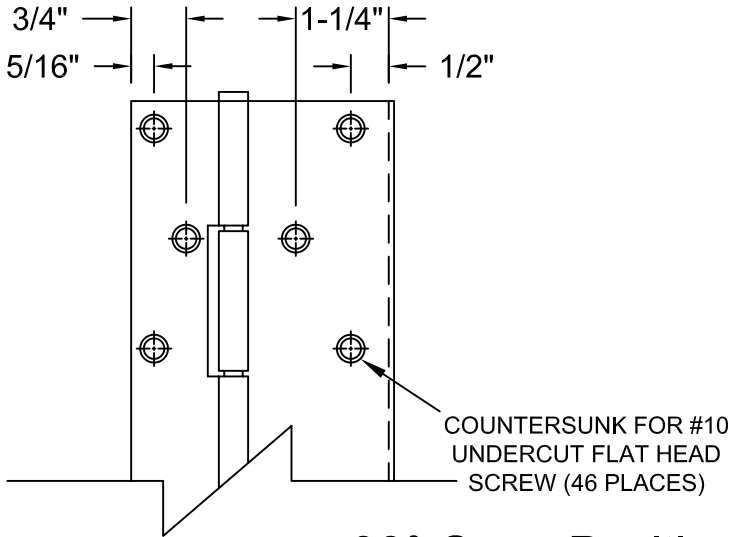
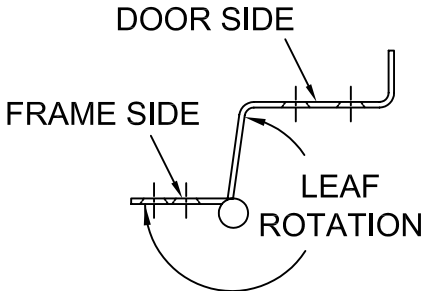
A511 - FLUSH MOUNT WITH EDGE GUARD

STANDARD HINGE LENGTH CONVERSION CHART

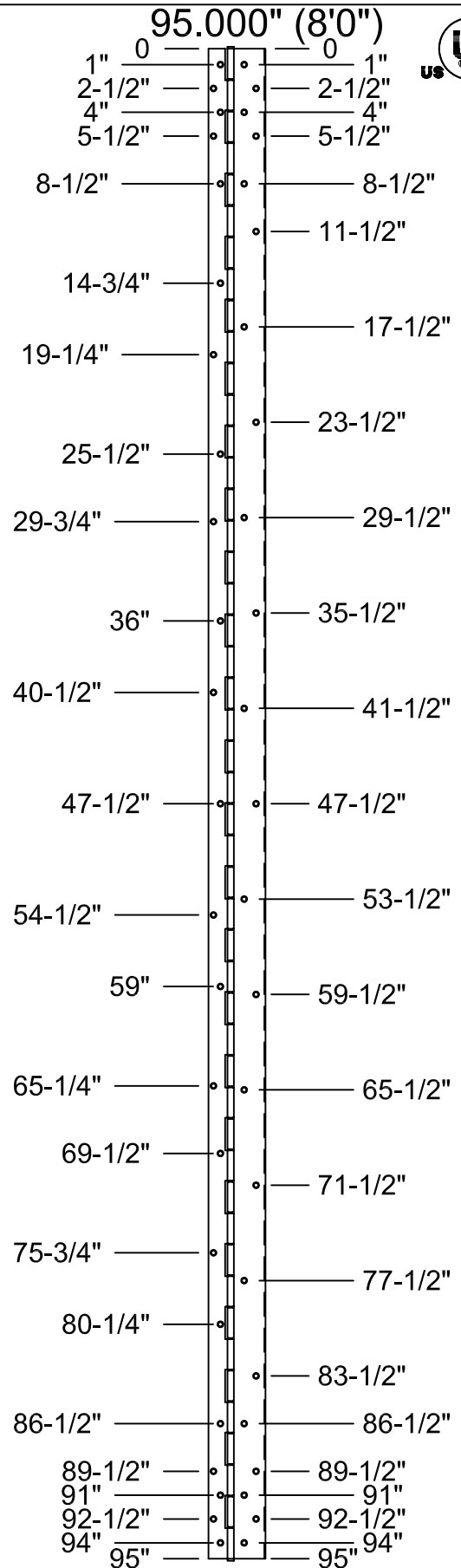
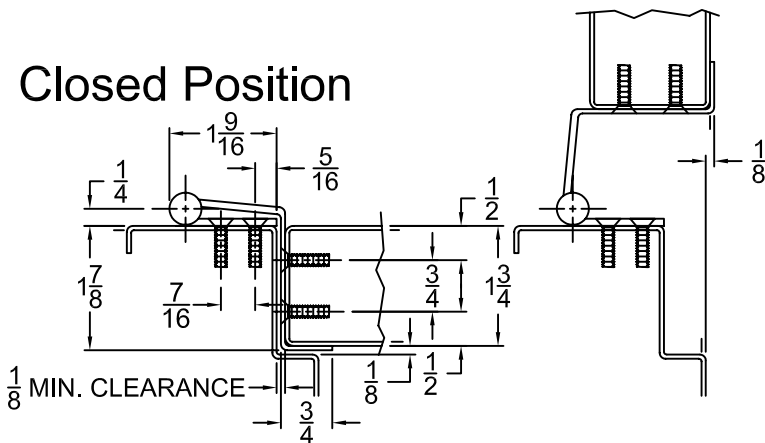
A 95.00" ACTUAL LENGTH = AN 8'0" DOOR OPENING



SCREW DETAIL	
QTY.	DESCRIPTION
46	10-24x7/8" PHILLIPS FLAT HEAD UNDERCUT SELF-DRILLING MACHINE SCREW
46	#10x1.250" PHILLIPS FLAT HEAD UNDERCUT SHEET METAL SCREW



Closed Position



www.abhmfg.com
 E-mail: abhinfo@abhmfg.com
 Architectural Builders Hardware Mfg., Inc.
 1222 Ardmore Ave., Itasca, IL 60143
 630.875.9900; FAX 800.9FAXABH (932.9224)

© 2006 ABH Mfg., Inc.
 printed in USA

A511-95.000

REVISED 05-25-06

A511-95.000-03.DWG