

# HINGE MODEL:

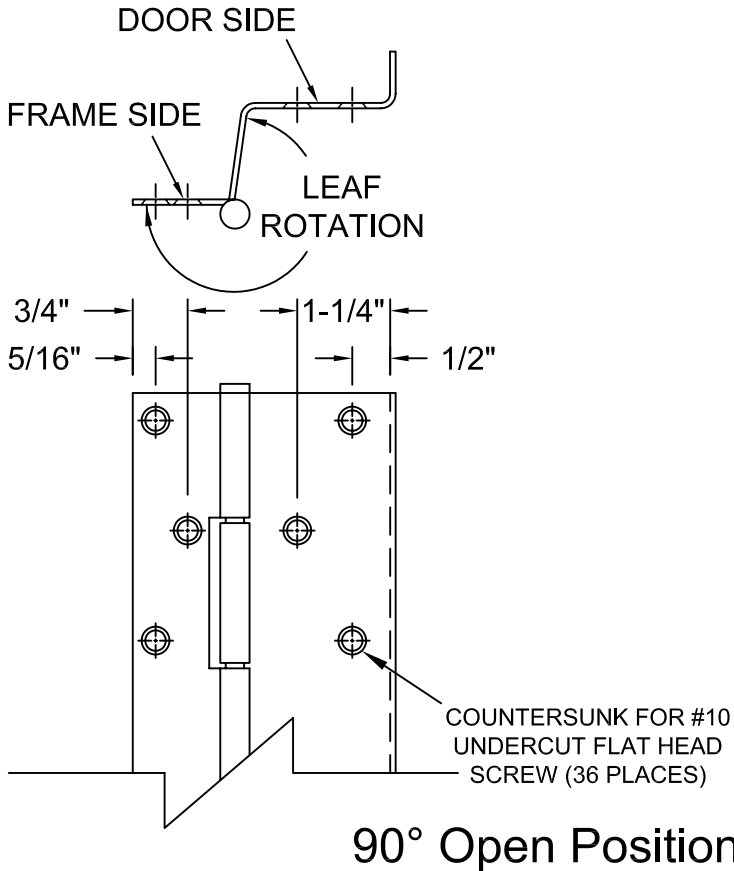
A511 - FLUSH MOUNT WITH EDGE GUARD

STANDARD HINGE LENGTH CONVERSION CHART

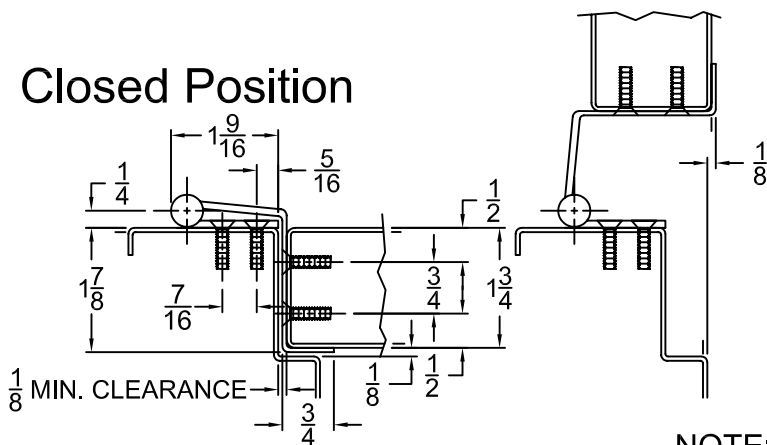
A 85.00" ACTUAL LENGTH = AN 7'2" DOOR OPENING

SCREW DETAIL	
QTY.	DESCRIPTION
36	10-24x7/8" PHILLIPS FLAT HEAD UNDERCUT SELF-DRILLING MACHINE SCREW
36	#10x1.250" PHILLIPS FLAT HEAD UNDERCUT SHEET METAL SCREW

## LEFT HANDED DETAIL SHOWN



## Closed Position

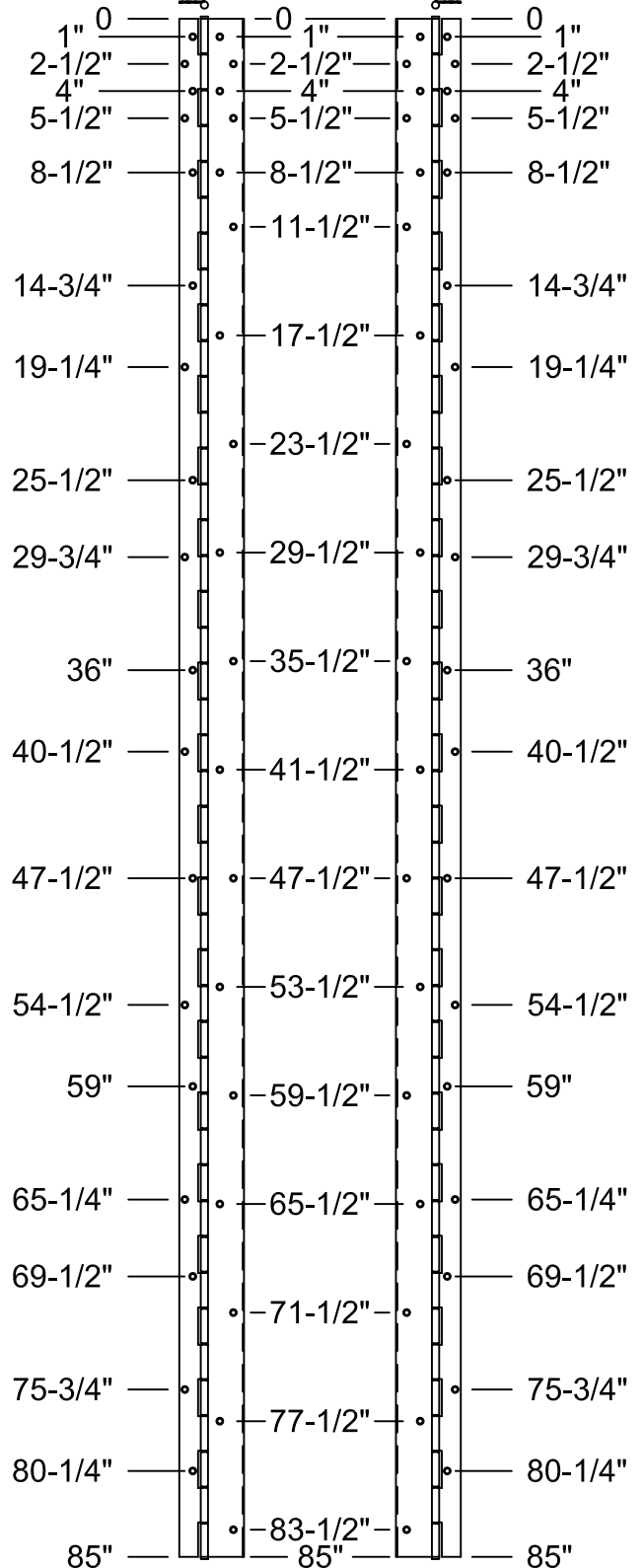


85.000" (7'2")



LEFT HANDED

RIGHT HANDED



NOTE: THIS HINGE LENGTH REQUIRES HANDING  
PLEASE CONSULT FACTORY FOR DETAIL.



www.abhmfg.com  
E-mail: abhinfo@abhmfg.com  
Architectural Builders Hardware Mfg., Inc.  
1222 Ardmore Ave., Itasca, IL 60143  
630.875.9900; FAX 800.9FAXABH (932.9224)

© 2006 ABH Mfg., Inc.  
printed in USA

A511-85.000

REVISED 05-25-06

A511-85.000-03.DWG