

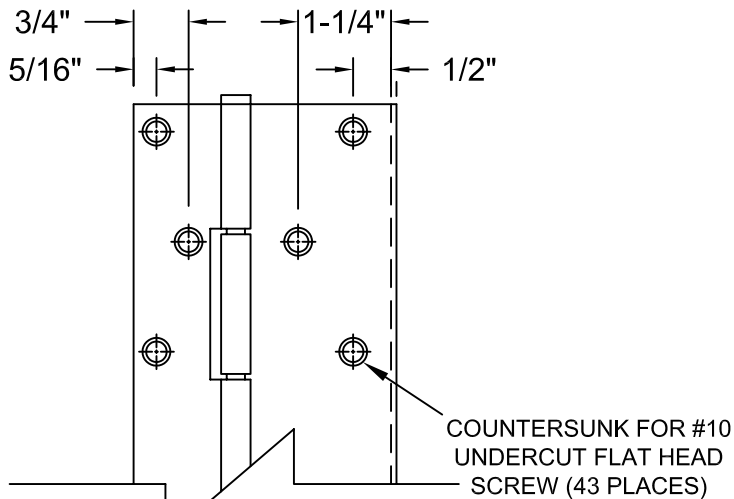
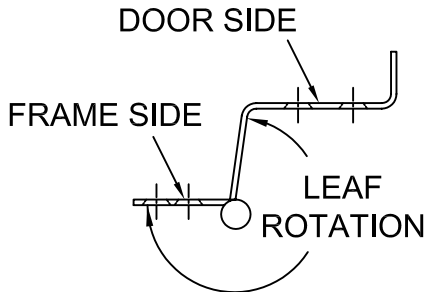
HINGE MODEL: A511 - FLUSH MOUNT WITH EDGE GUARD



STANDARD HINGE LENGTH CONVERSION CHART
A 83.125" ACTUAL LENGTH = AN 7' DOOR OPENING

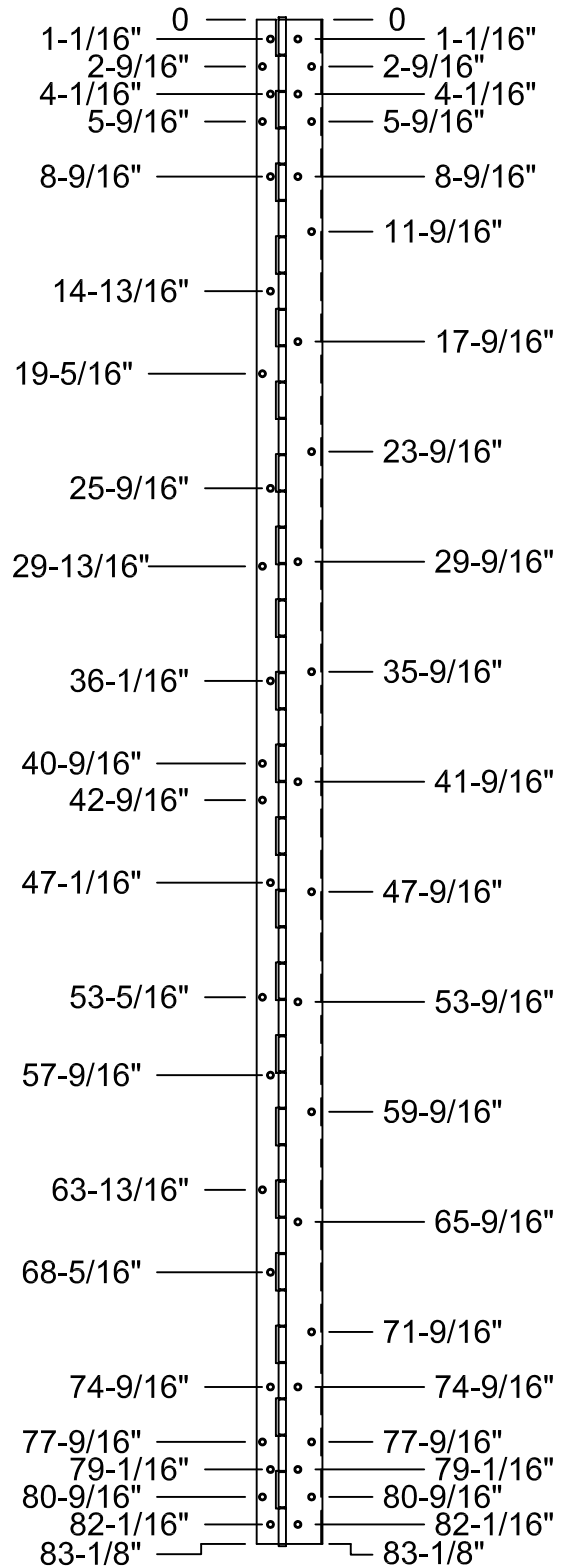
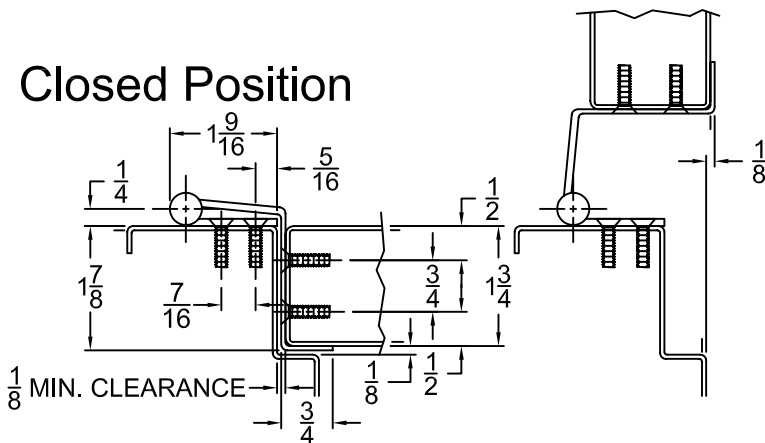
83.125" (7')

SCREW DETAIL	
QTY.	DESCRIPTION
43	10-24x7/8" PHILLIPS FLAT HEAD UNDERCUT SELF-DRILLING MACHINE SCREW
43	#10x1.250" PHILLIPS FLAT HEAD UNDERCUT SHEET METAL SCREW



90° Open Position

Closed Position



® www.abhmfg.com
E-mail: abhinfo@abhmfg.com
Architectural Builders Hardware Mfg., Inc.
1222 Ardmore Ave., Itasca, IL 60143
630.875.9900; FAX 800.9FAXABH (932.9224)

© 2006 ABH Mfg., Inc.
printed in USA

A511-83.125

REVISED 05-25-06

A511-83.125-03.DWG