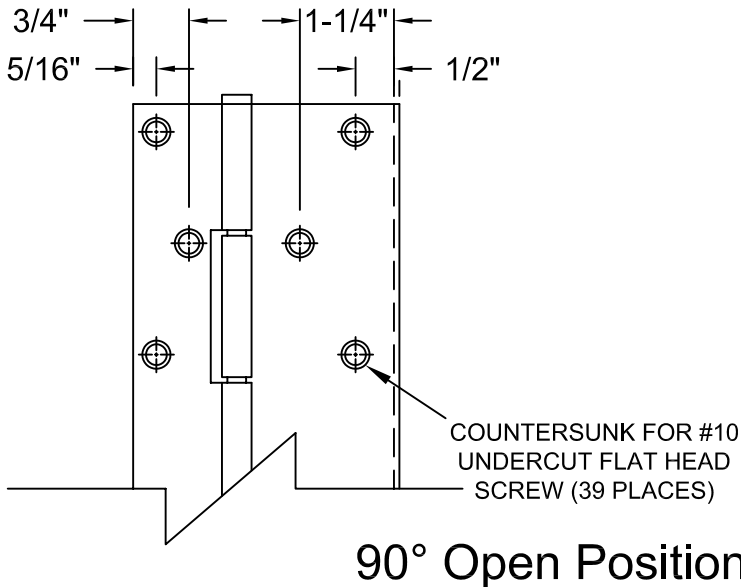
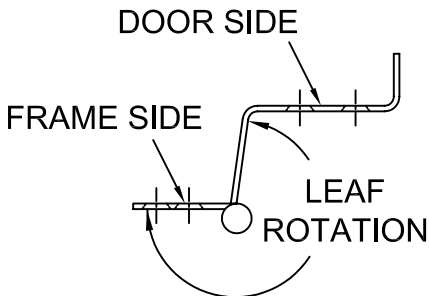




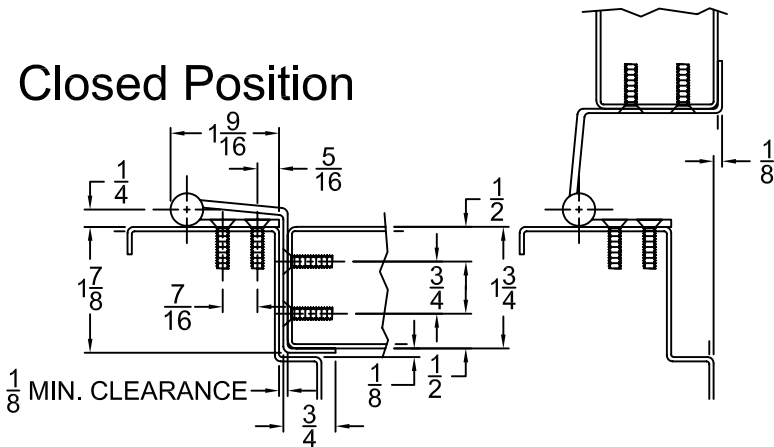
# HINGE MODEL: A511 - FLUSH MOUNT WITH EDGE GUARD

STANDARD HINGE LENGTH CONVERSION CHART  
A 78.750" ACTUAL LENGTH = AN 6'8" DOOR OPENING

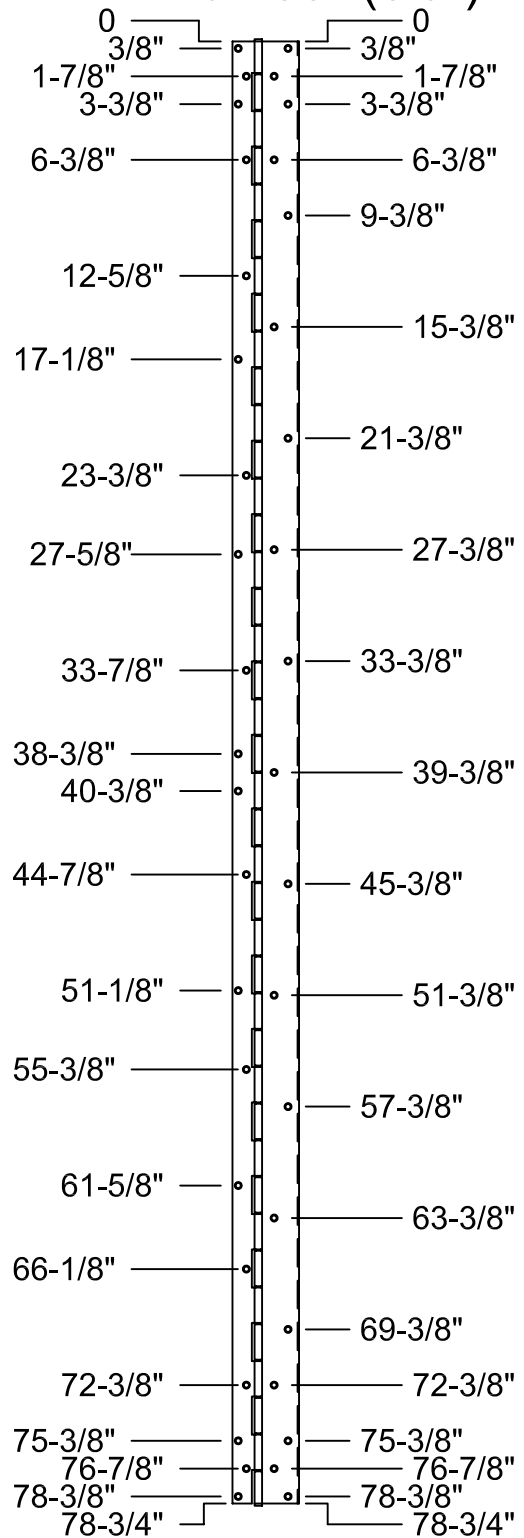
SCREW DETAIL	
QTY.	DESCRIPTION
39	10-24x7/8" PHILLIPS FLAT HEAD UNDERCUT SELF-DRILLING MACHINE SCREW
39	#10x1.250" PHILLIPS FLAT HEAD UNDERCUT SHEET METAL SCREW



## Closed Position



78.750" (6'8")



www.abhmfg.com  
E-mail: abhinfo@abhmfg.com  
Architectural Builders Hardware Mfg., Inc.  
1222 Ardmore Ave., Itasca, IL 60143  
630.875.9900; FAX 800.9FAXABH (932.9224)

© 2006 ABH Mfg., Inc.  
printed in USA

A511-78.750

REVISED 05-25-06

A511-78.750-04.DWG