

HINGE MODEL:

A506 - HALF MORTISE WITH EDGE GUARD

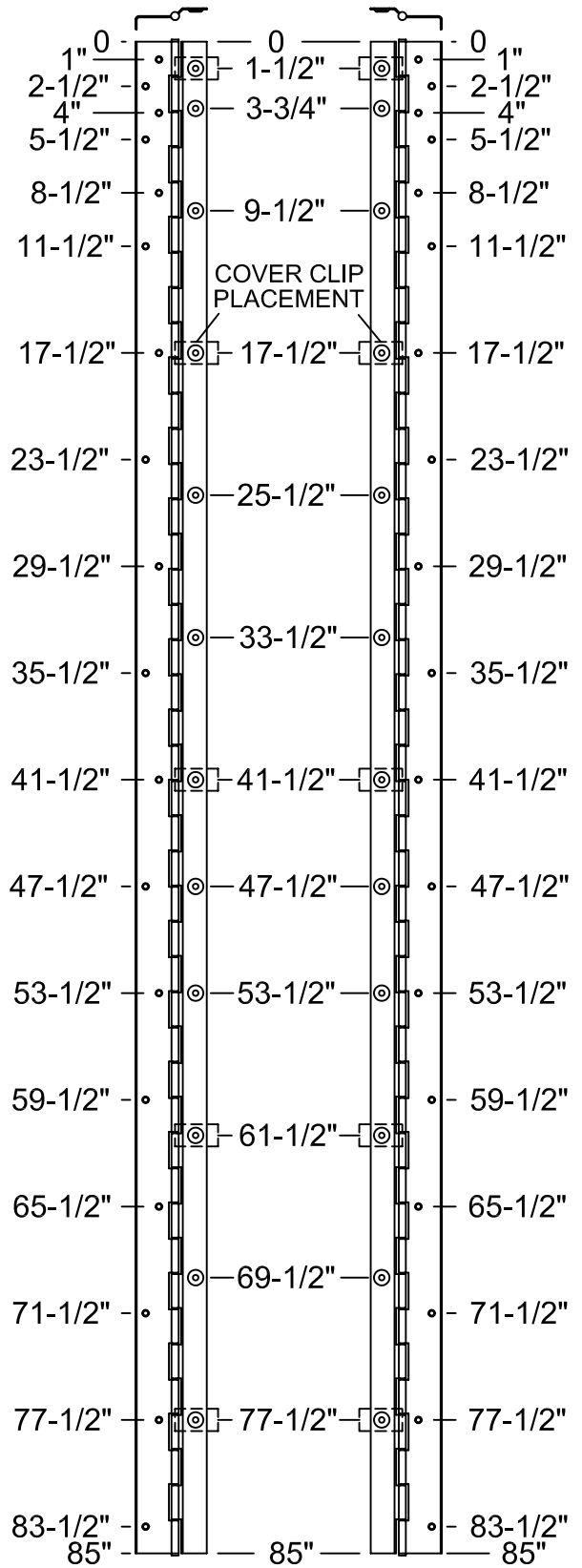
STANDARD HINGE LENGTH CONVERSION CHART

A 85.00" ACTUAL LENGTH = AN 7'2" DOOR OPENING



85.000" (7'2")

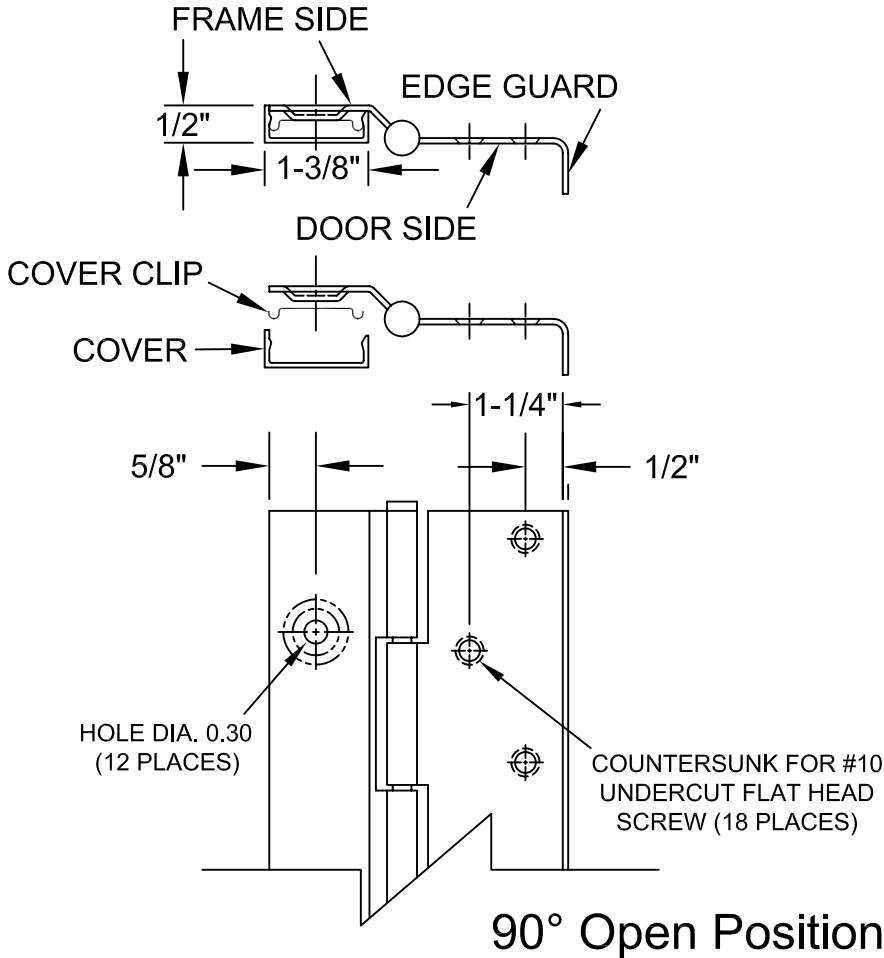
LEFT HANDED RIGHT HANDED



SCREW DETAIL

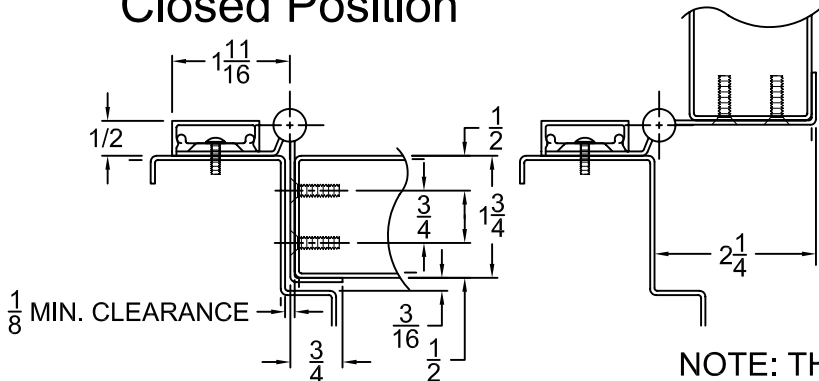
QTY.	DESCRIPTION
18	10-24x7/8" PHILLIPS FLAT HEAD UNDERCUT SELF-DRILLING MACHINE SCREW
12	1/4-20x0.750" PHILLIPS PAN HEAD SELF-DRILLING MACHINE SCREW
18	#10x1.250" PHILLIPS FLAT HEAD UNDERCUT SHEET METAL SCREW
5	COVER CLIP

RIGHT HANDED DETAIL SHOWN



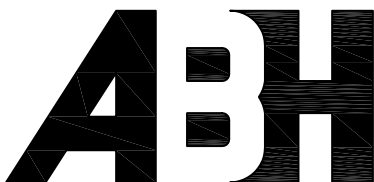
90° Open Position

Closed Position



NOTE: THIS HINGE LENGTH REQUIRES HANDING
PLEASE CONSULT FACTORY FOR DETAIL.

A506-85.000-03.DWG



® www.abhmfg.com

E-mail: abhinfo@abhmfg.com

Architectural Builders Hardware Mfg., Inc.

1222 Ardmore Ave., Itasca, IL 60143

630.875.9900; FAX 800.9FAXABH (932.9224)

© 2006 ABH Mfg., Inc.
printed in USA

A506-85.000

REVISED 05-25-06