

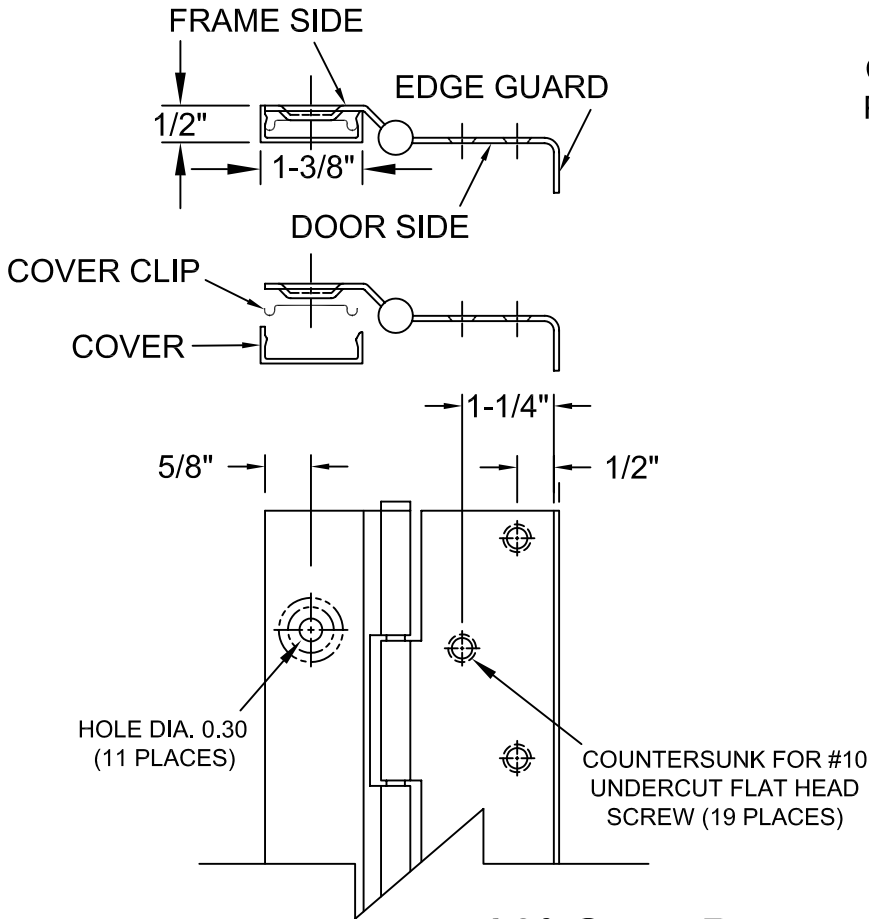
# HINGE MODEL: A506 - HALF MORTISE WITH EDGE GUARD



STANDARD HINGE LENGTH CONVERSION CHART  
A 78.750" ACTUAL LENGTH = AN 6'8" DOOR OPENING

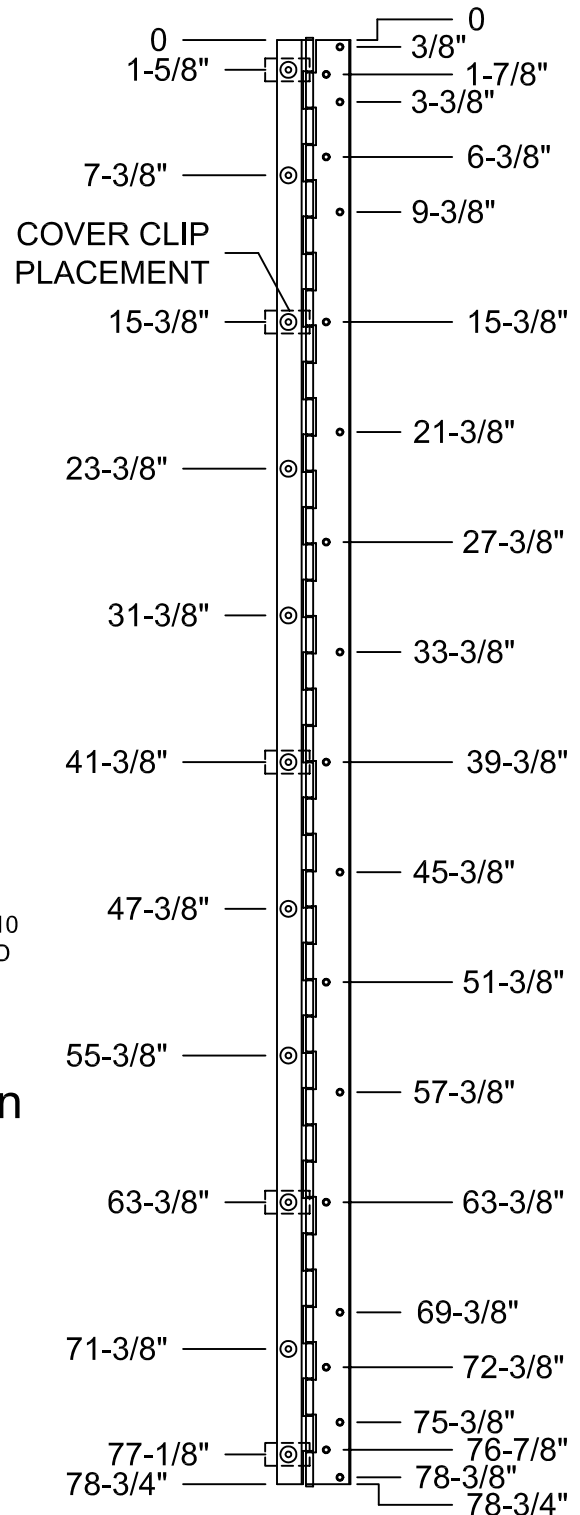
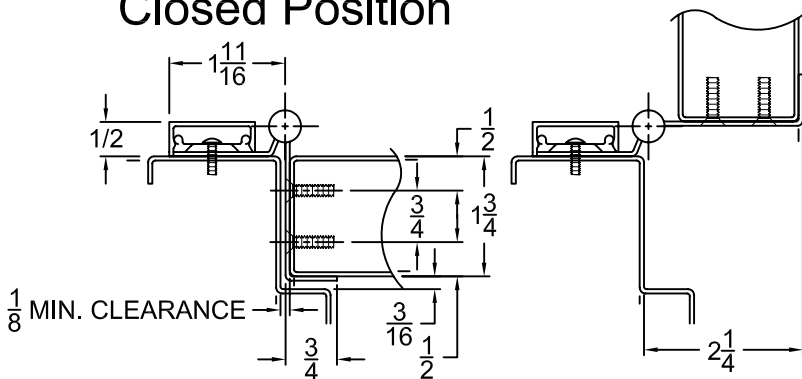
78.750" (6'8")

SCREW DETAIL	
QTY.	DESCRIPTION
19	10-24x7/8" PHILLIPS FLAT HEAD UNDERCUT SELF-DRILLING MACHINE SCREW
11	1/4-20x0.750" PHILLIPS PAN HEAD SELF-DRILLING MACHINE SCREW
19	#10x1.250" PHILLIPS FLAT HEAD UNDERCUT SHEET METAL SCREW
5	COVER CLIP



90° Open Position

Closed Position



® [www.abhmfg.com](http://www.abhmfg.com)  
E-mail: [abhinfo@abhmfg.com](mailto:abhinfo@abhmfg.com)  
Architectural Builders Hardware Mfg., Inc.  
1222 Ardmore Ave., Itasca, IL 60143  
630.875.9900; FAX 800.9FAXABH (932.9224)

© 2006 ABH Mfg., Inc.  
printed in USA

A506-78.750

REVISED 05-25-06

A506-78.750-04.DWG