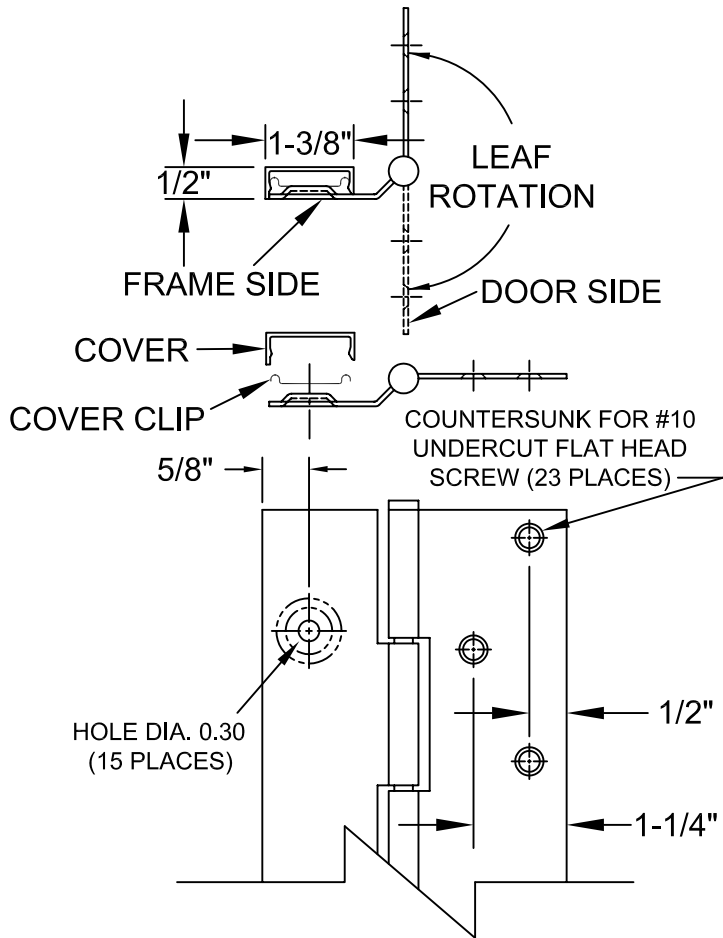


# HINGE MODEL: A504 - HALF MORTISE

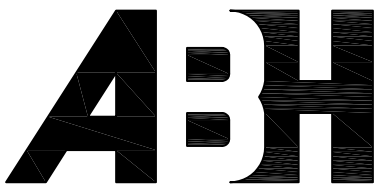
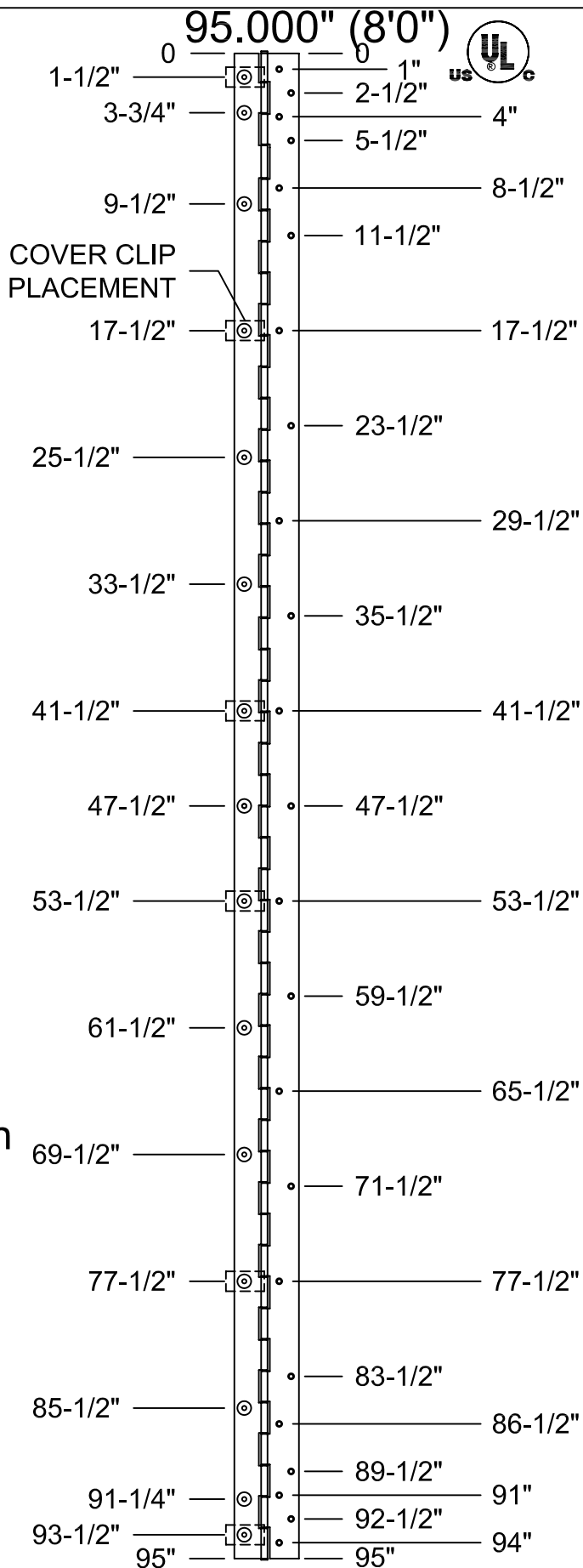
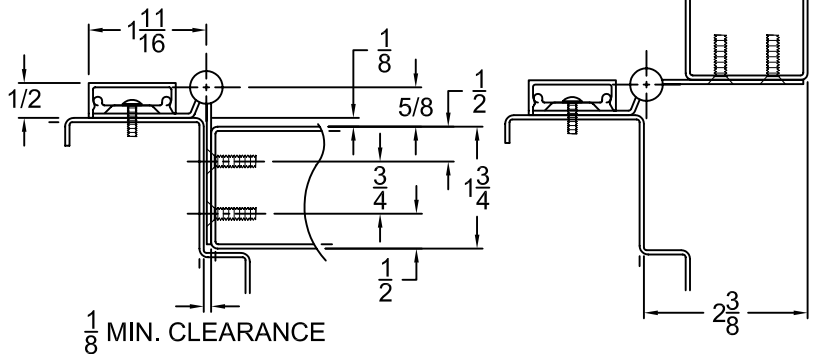
STANDARD HINGE LENGTH CONVERSION CHART  
A 95.00" ACTUAL LENGTH = AN 8'0" DOOR OPENING

SCREW DETAIL	
QTY.	DESCRIPTION
23	10-24x7/8" PHILLIPS FLAT HEAD UNDERCUT SELF-DRILLING MACHINE SCREW
15	1/4-20x0.750" PHILLIPS PAN HEAD SELF-DRILLING MACHINE SCREW
23	#10x1.250" PHILLIPS FLAT HEAD UNDERCUT SHEET METAL SCREW
6	COVER CLIP



90° Open Position

Closed Position



® www.abhmfg.com  
E-mail: abhinfo@abhmfg.com  
Architectural Builders Hardware Mfg., Inc.  
1222 Ardmore Ave., Itasca, IL 60143  
630.875.9900; FAX 800.9FAXABH (932.9224)

© 2006 ABH Mfg., Inc.  
printed in USA

A504-95.000

REVISED 05-25-06

A504-95.000-03.DWG