

HINGE MODEL: A504 - HALF MORTISE

STANDARD HINGE LENGTH CONVERSION CHART
A 85.00" ACTUAL LENGTH = AN 7'2" DOOR OPENING



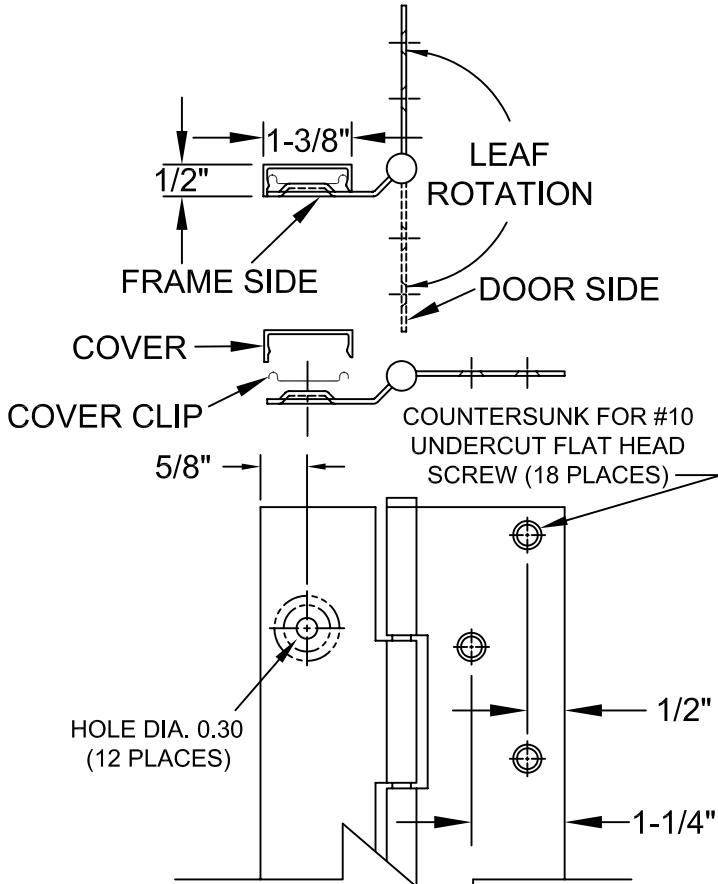
85.000" (7'2")

LEFT HANDED

RIGHT HANDED

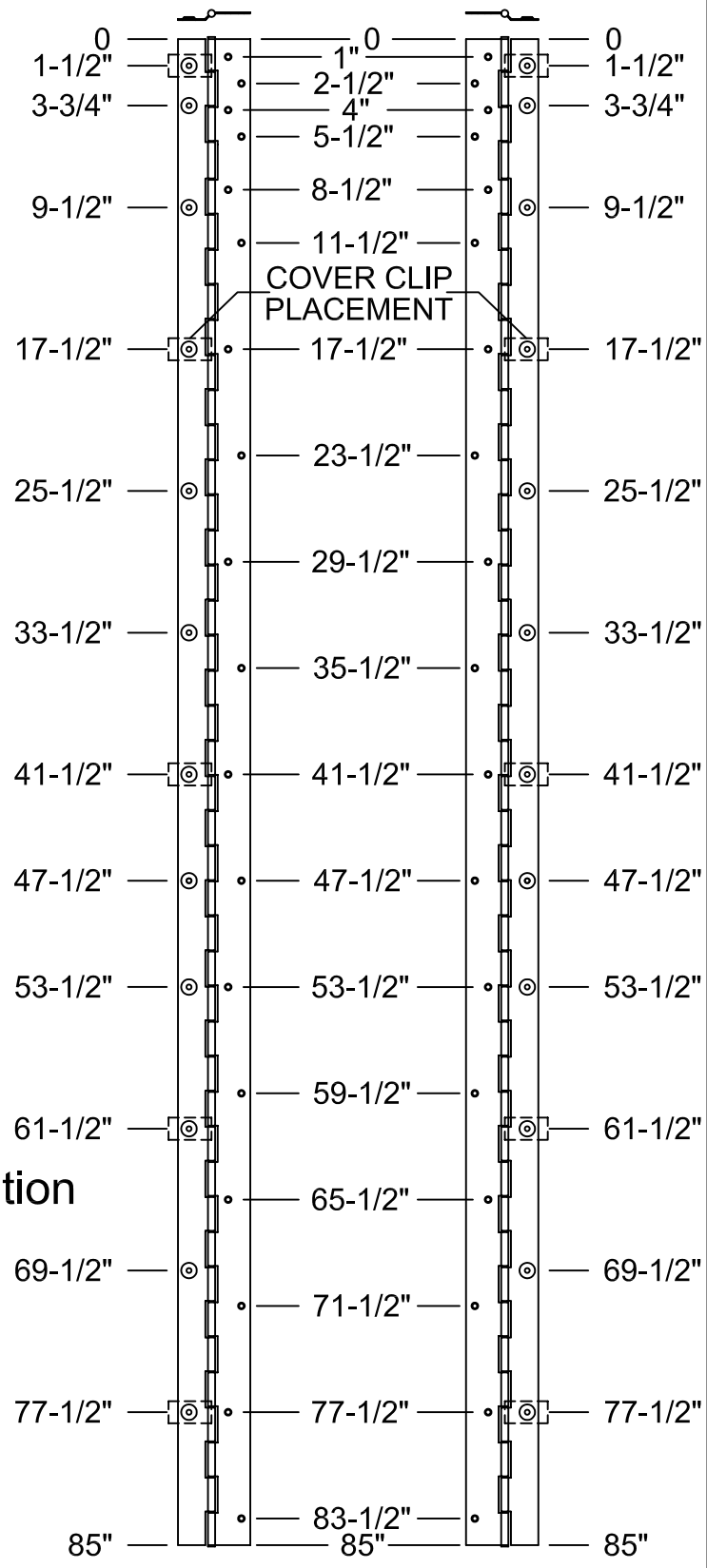
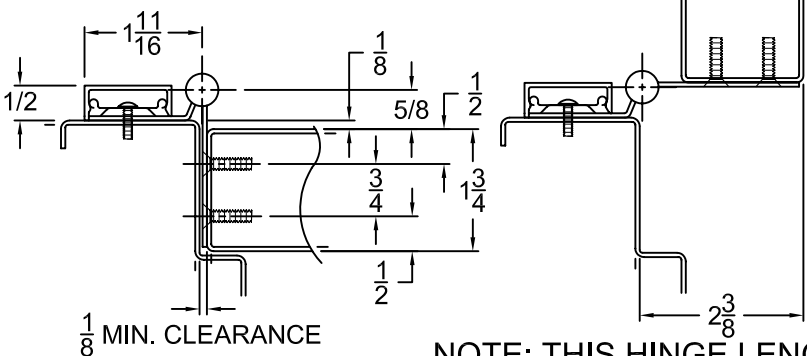
SCREW DETAIL	
QTY.	DESCRIPTION
18	10-24x7/8" PHILLIPS FLAT HEAD UNDERCUT SELF-DRILLING MACHINE SCREW
12	1/4-20x0.750" PHILLIPS PAN HEAD SELF-DRILLING MACHINE SCREW
18	#10x1.250" PHILLIPS FLAT HEAD UNDERCUT SHEET METAL SCREW
5	COVER CLIP

LEFT HANDED DETAIL SHOWN



90° Open Position

Closed Position



NOTE: THIS HINGE LENGTH REQUIRES HANDING
PLEASE CONSULT FACTORY FOR DETAIL.

A504-85.000-03.DWG



® www.abhmfg.com
E-mail: abhinfo@abhmfg.com
Architectural Builders Hardware Mfg., Inc.
1222 Ardmore Ave., Itasca, IL 60143
630.875.9900; FAX 800.9FAXABH (932.9224)

© 2006 ABH Mfg., Inc.
printed in USA

A504-85.000

REVISED 05-25-06