

HINGE MODEL:

A503 - SURFACE MOUNTED DOOR LEAF

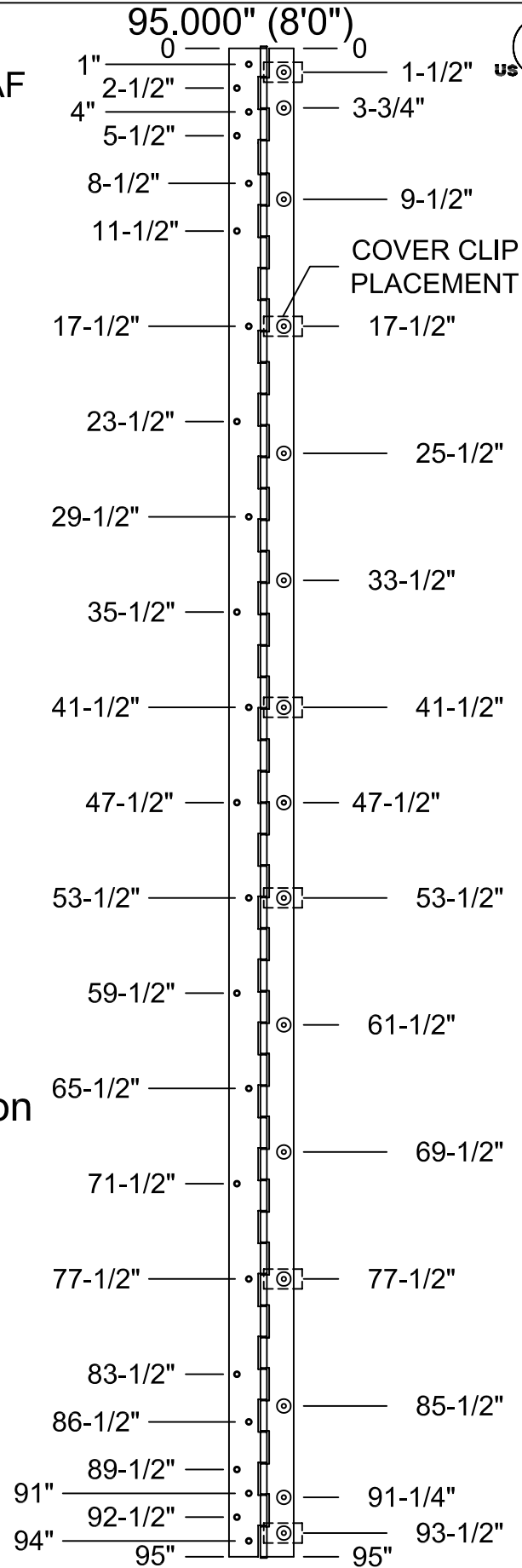
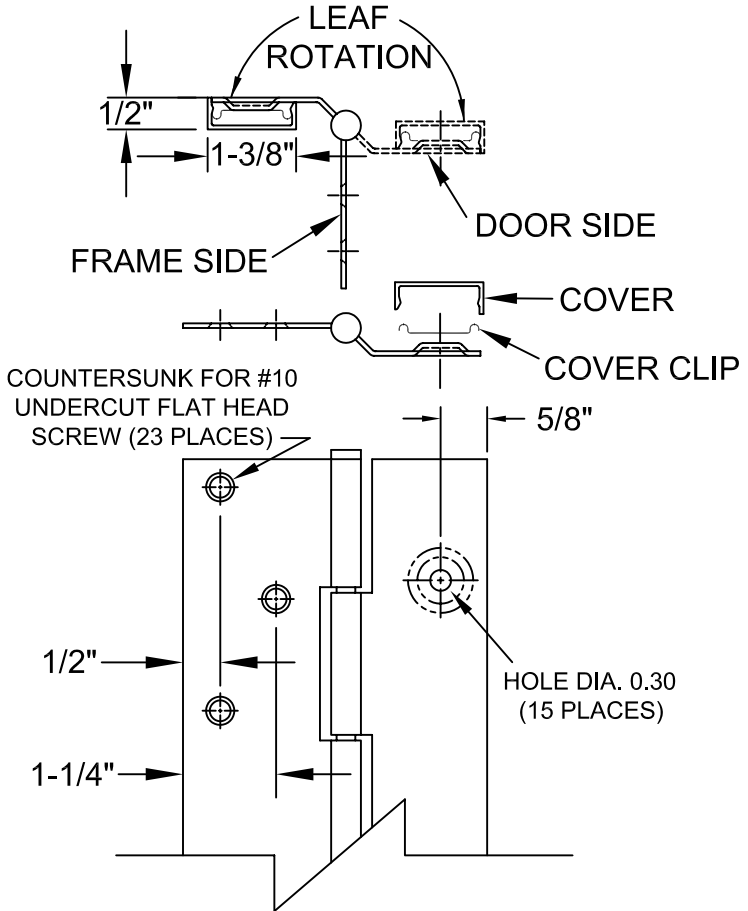
STANDARD HINGE LENGTH CONVERSION CHART

A 95.00" ACTUAL LENGTH = AN 8'0" DOOR OPENING

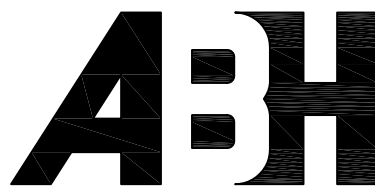
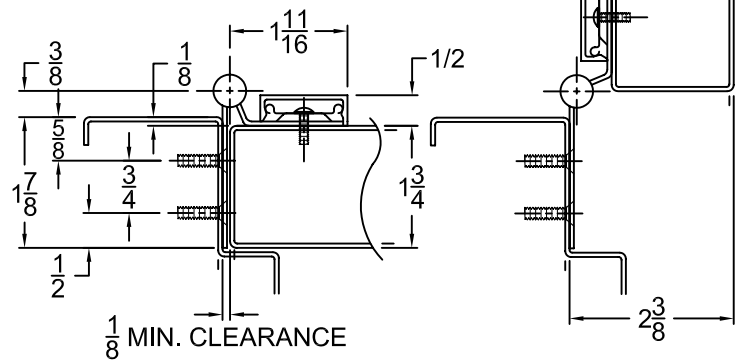
95.000" (8'0")



SCREW DETAIL	
QTY.	DESCRIPTION
23	10-24x7/8" PHILLIPS FLAT HEAD UNDERCUT SELF-DRILLING MACHINE SCREW
15	1/4-20x0.750" PHILLIPS PAN HEAD SELF-DRILLING MACHINE SCREW
23	#10x1.250" PHILLIPS FLAT HEAD UNDERCUT SHEET METAL SCREW
6	COVER CLIP



Closed Position 90° Open Position



® www.abhmfg.com
 E-mail: abhinfo@abhmfg.com
 Architectural Builders Hardware Mfg., Inc.
 1222 Ardmore Ave., Itasca, IL 60143
 630.875.9900; FAX 800.9FAXABH (932.9224)

© 2006 ABH Mfg., Inc.
 printed in USA

A503-95.000

REVISED 05-25-06

A503-95.000-03.DWG