

HINGE MODEL:

A503 - SURFACE MOUNTED DOOR LEAF

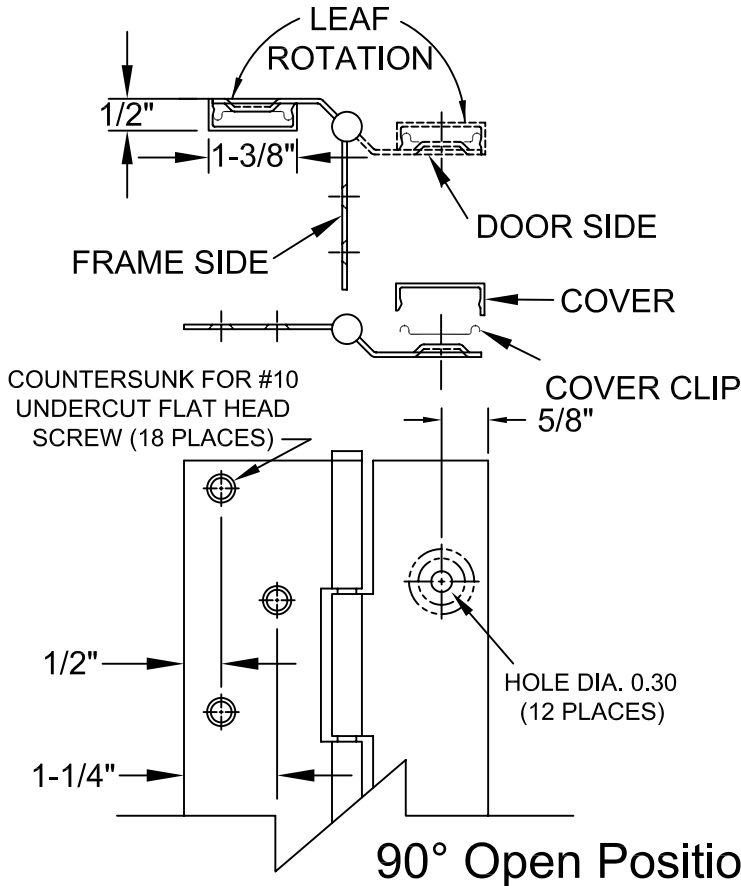
85.000" (7'2")



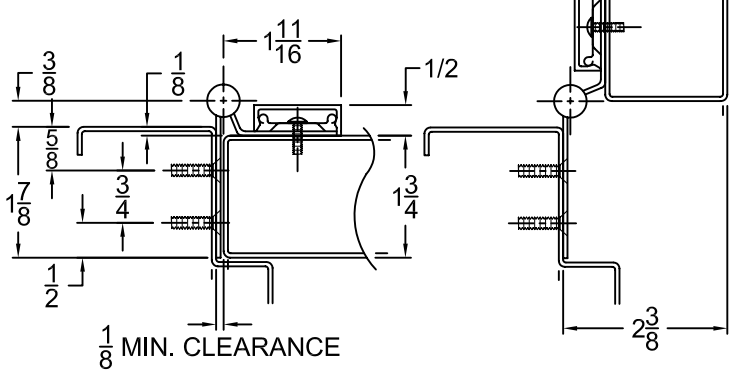
STANDARD HINGE LENGTH CONVERSION CHART
 A 85.00" ACTUAL LENGTH = AN 7'2" DOOR OPENING

SCREW DETAIL	
QTY.	DESCRIPTION
18	10-24x7/8" PHILLIPS FLAT HEAD UNDERCUT SELF-DRILLING MACHINE SCREW
12	1/4-20x0.750" PHILLIPS PAN HEAD SELF-DRILLING MACHINE SCREW
18	#10x1.250" PHILLIPS FLAT HEAD UNDERCUT SHEET METAL SCREW
5	COVER CLIP

LEFT HANDED DETAIL SHOWN

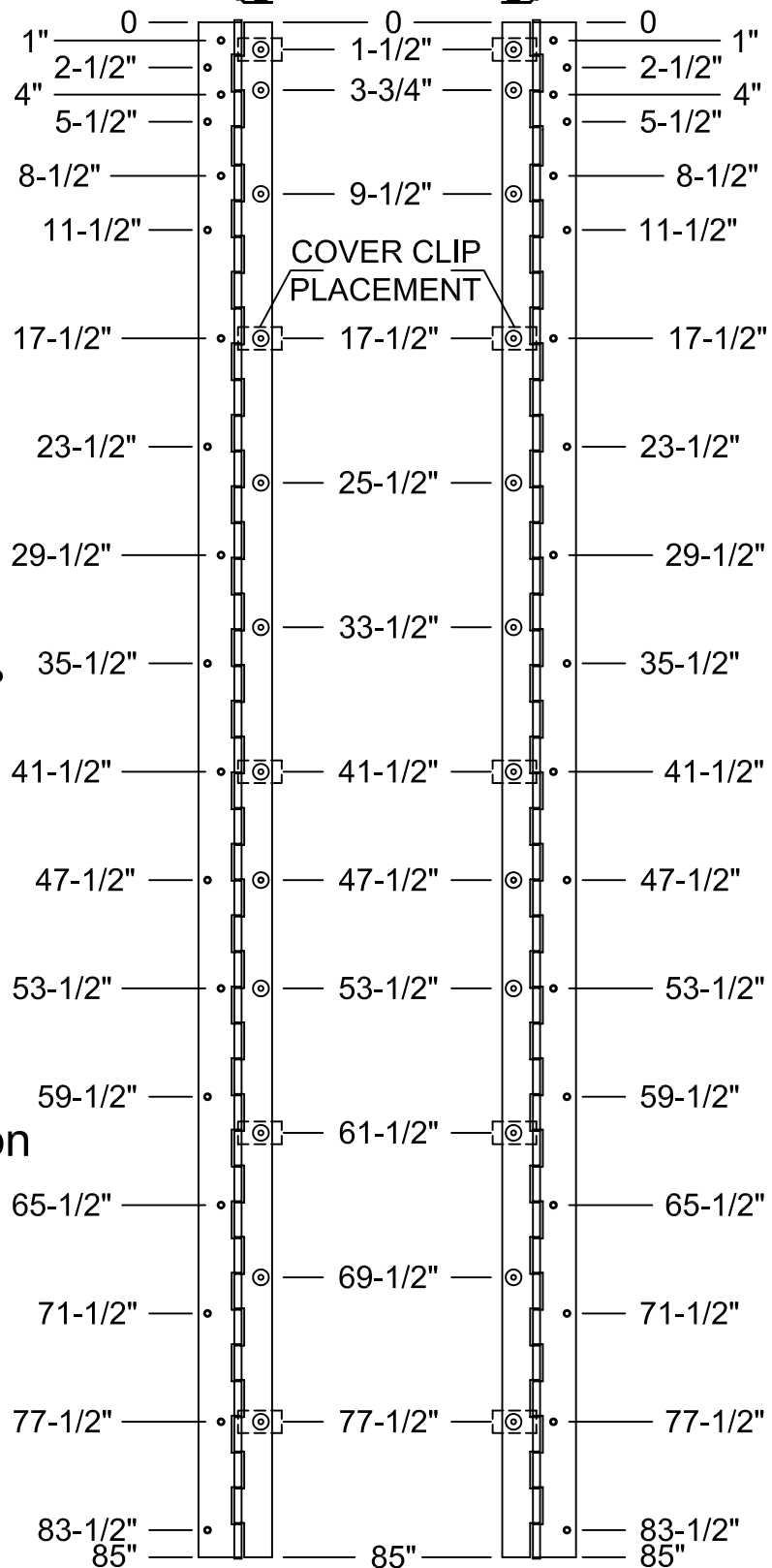


Closed Position

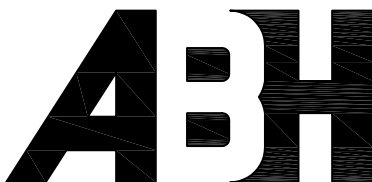


LEFT HANDED

RIGHT HANDED



NOTE: THIS HINGE LENGTH REQUIRES HANDING FOR SPECIFIC MODELS. PLEASE CONSULT FACTORY FOR DETAIL.



® www.abhmfg.com
 E-mail: abhinfo@abhmfg.com
 Architectural Builders Hardware Mfg., Inc.
 1222 Ardmore Ave., Itasca, IL 60143
 630.875.9900; FAX 800.9FAXABH (932.9224)

© 2006 ABH Mfg., Inc.
 printed in USA

A503-85.000

REVISED 05-25-06

A503-85.000-03.DWG