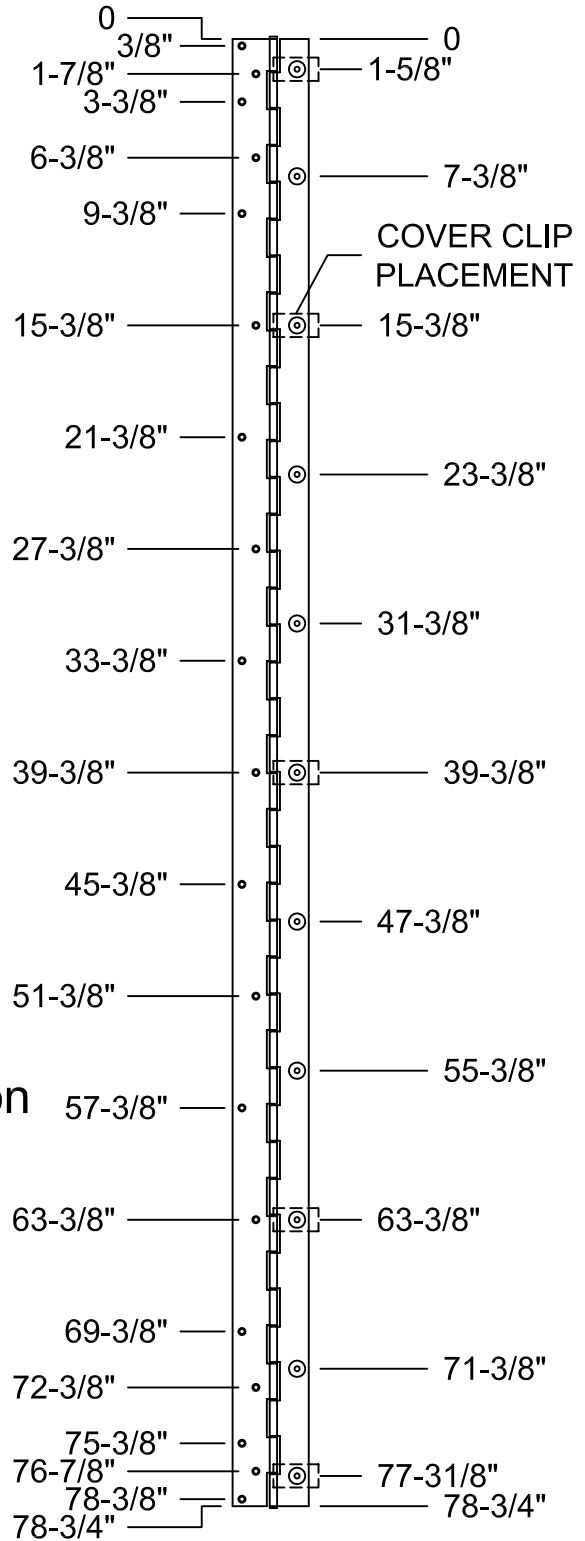
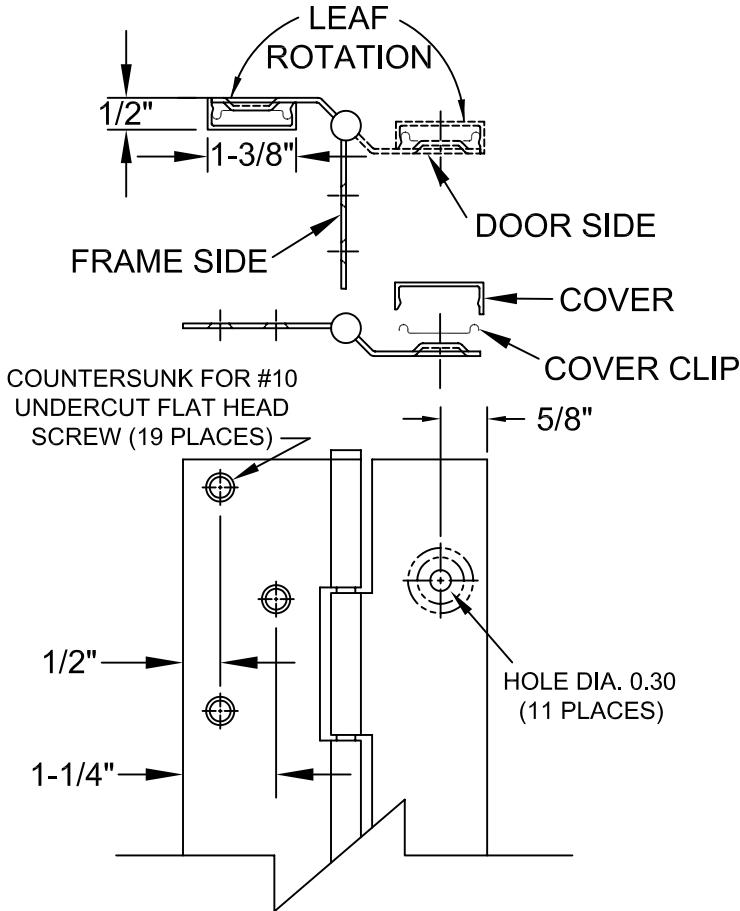


HINGE MODEL: A503 - SURFACE MOUNTED DOOR LEAF

STANDARD HINGE LENGTH CONVERSION CHART
A 78.750" ACTUAL LENGTH = AN 6'8" DOOR OPENING

78.750 (6'8")

SCREW DETAIL	
QTY.	DESCRIPTION
19	10-24x7/8" PHILLIPS FLAT HEAD UNDERCUT SELF-DRILLING MACHINE SCREW
11	1/4-20x0.750" PHILLIPS PAN HEAD SELF-DRILLING MACHINE SCREW
19	#10x1.250" PHILLIPS FLAT HEAD UNDERCUT SHEET METAL SCREW
5	COVER CLIP



90° Open Position
Closed Position

