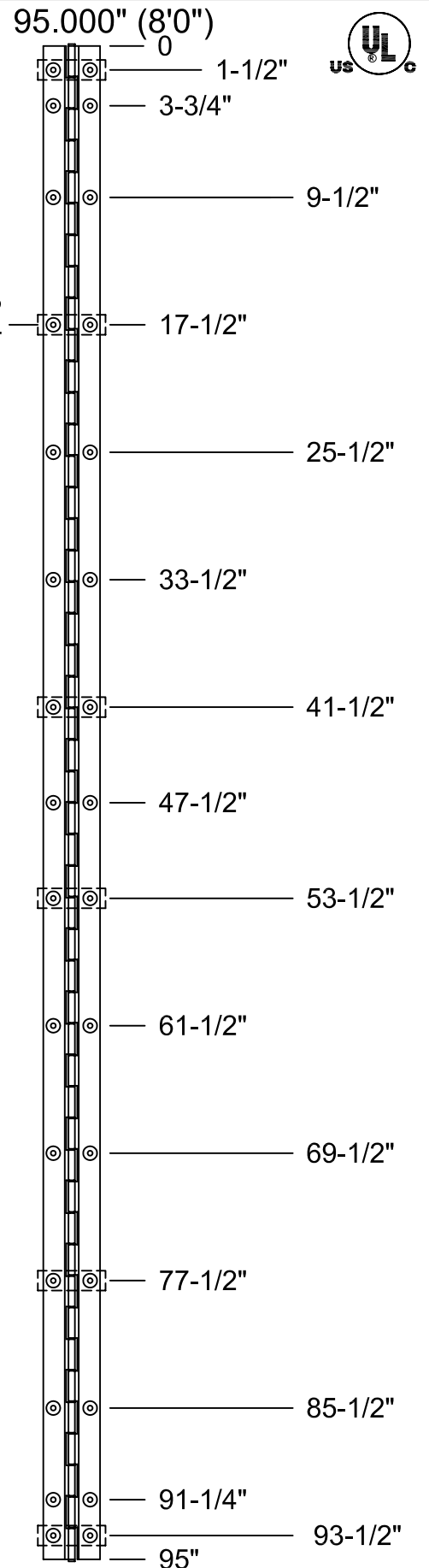
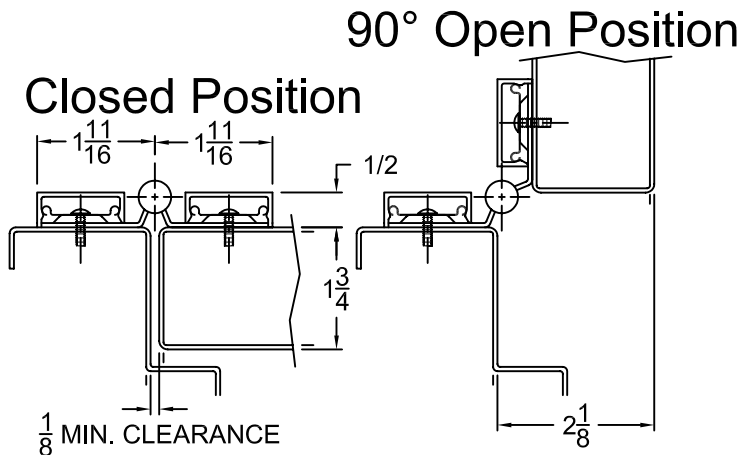
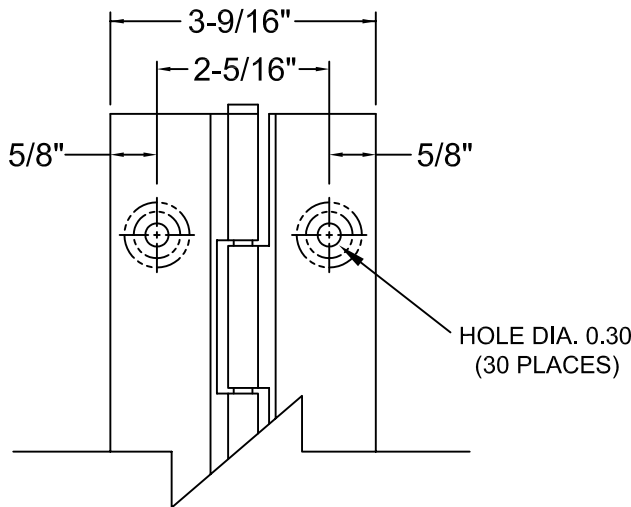
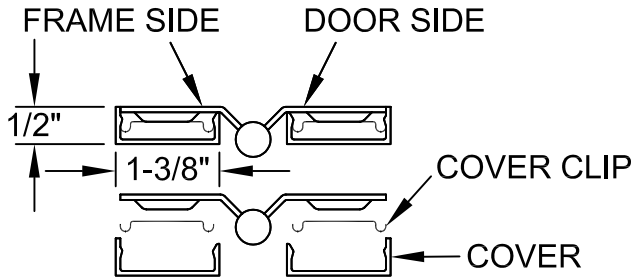


HINGE MODEL: A502 - FULL SURFACE/FLUSH MOUNT

STANDARD HINGE LENGTH CONVERSION CHART
A 95.00" ACTUAL LENGTH = AN 8'0" DOOR OPENING

SCREW DETAIL	
QTY.	DESCRIPTION
30	1/4-20x0.750" PHILLIPS PAN HEAD SELF-DRILLING MACHINE SCREW
12	COVER CLIP



® www.abhmfg.com
E-mail: abhinfo@abhmfg.com
Architectural Builders Hardware Mfg., Inc.
1222 Ardmore Ave., Itasca, IL 60143
630.875.9900; FAX 800.9FAXABH (932.9224)

© 2006 ABH Mfg., Inc.
printed in USA

A502-95.000

REVISED 05-25-06

A502-95.000-03.DWG