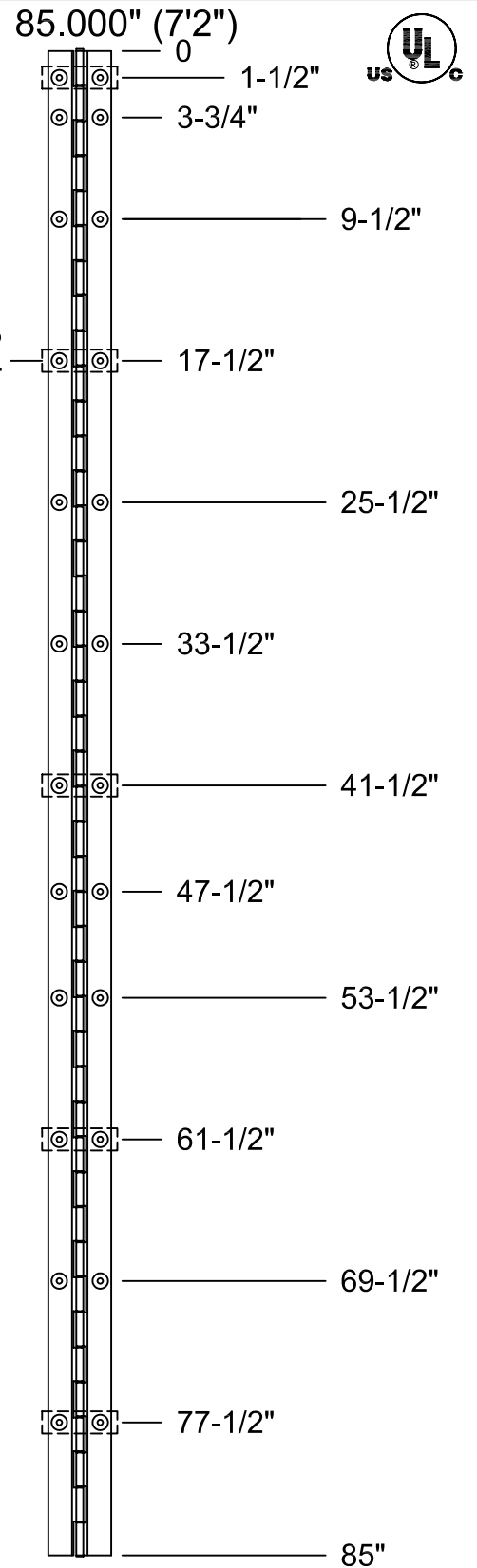
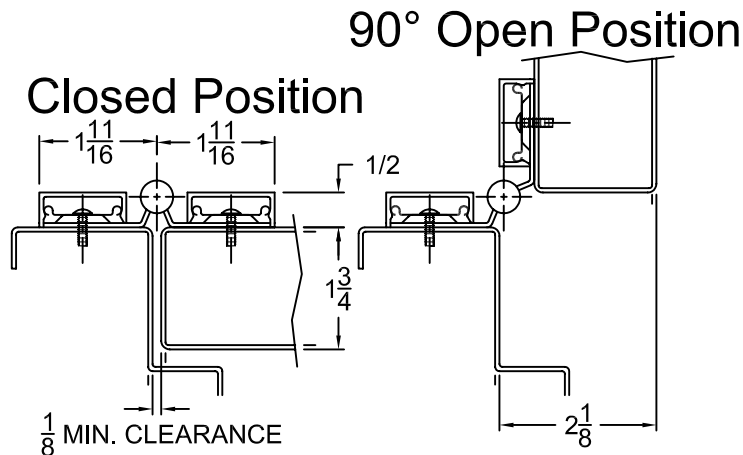
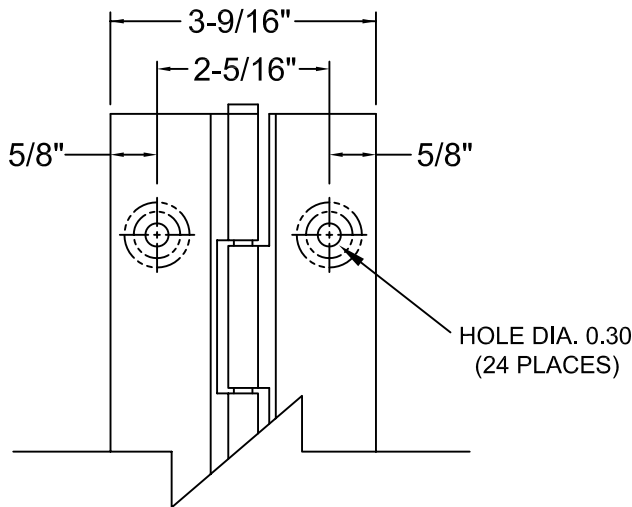
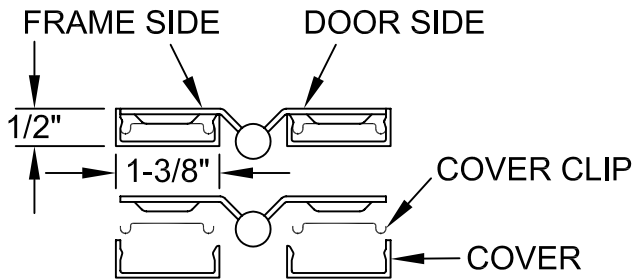


HINGE MODEL: A502 - FULL SURFACE/FLUSH MOUNT

STANDARD HINGE LENGTH CONVERSION CHART
A 85.00" ACTUAL LENGTH = AN 7'2" DOOR OPENING

| SCREW DETAIL | |
|--------------|-------------------------------------------------------------|
| QTY. | DESCRIPTION |
| 24 | 1/4-20x0.750" PHILLIPS PAN HEAD SELF-DRILLING MACHINE SCREW |
| 10 | COVER CLIP |



NOTE: THIS HINGE LENGTH REQUIRES HANDING FOR SPECIFIC MODELS. PLEASE CONSULT FACTORY FOR DETAIL.



® www.abhmfg.com
E-mail: abhinfo@abhmfg.com
Architectural Builders Hardware Mfg., Inc.
1222 Ardmore Ave., Itasca, IL 60143
630.875.9900; FAX 800.9FAXABH (932.9224)

© 2006 ABH Mfg., Inc.
printed in USA

A502-85.000

REVISED 05-25-06

A502-85.000-03.DWG

