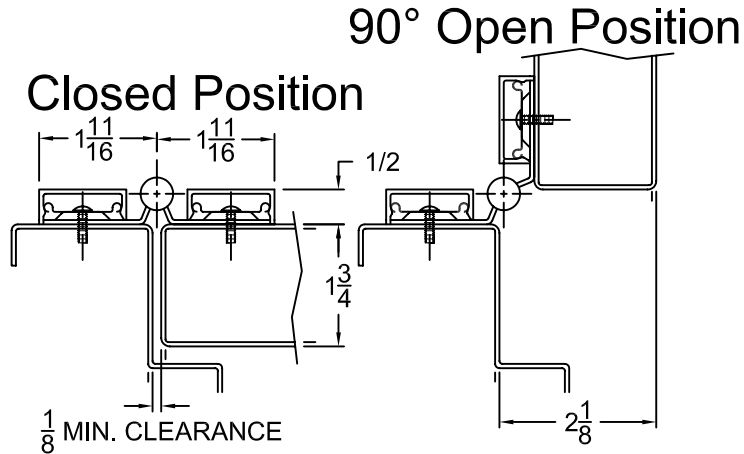
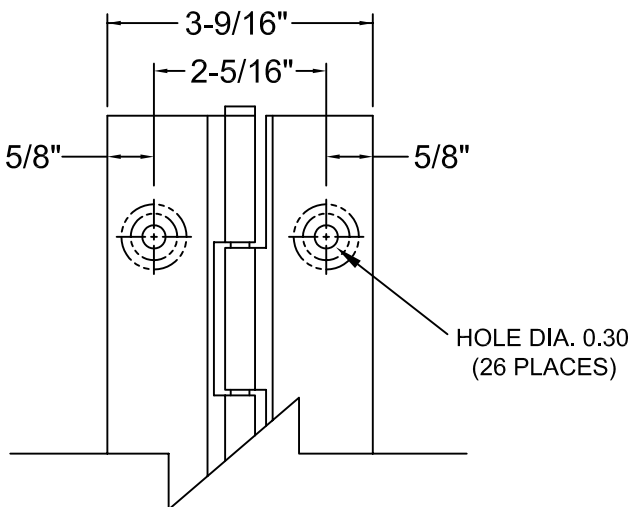
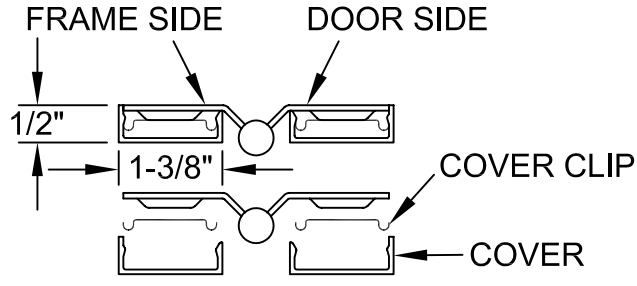


HINGE MODEL: A502 - FULL SURFACE/FLUSH MOUNT 83.125" (7')

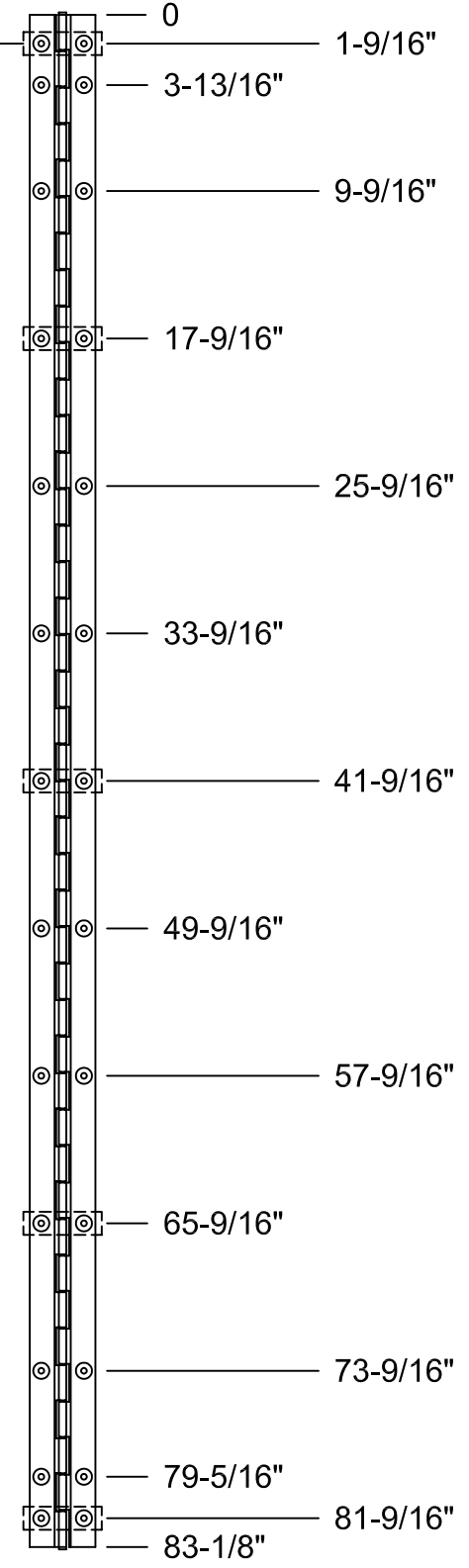


STANDARD HINGE LENGTH CONVERSION CHART
 A 83.125" ACTUAL LENGTH = AN 7' DOOR OPENING

SCREW DETAIL	
QTY.	DESCRIPTION
26	1/4-20x0.750" PHILLIPS PAN HEAD SELF-DRILLING MACHINE SCREW
10	COVER CLIP



COVER CLIP PLACEMENT



www.abhmfg.com
 E-mail: abhinfo@abhmfg.com
 Architectural Builders Hardware Mfg., Inc.
 1222 Ardmore Ave., Itasca, IL 60143
 630.875.9900; FAX 800.9FAXABH (932.9224)

© 2006 ABH Mfg., Inc.
 printed in USA

A502-83.125
 REVISED 05-25-06

A502-83.125-03.DWG