

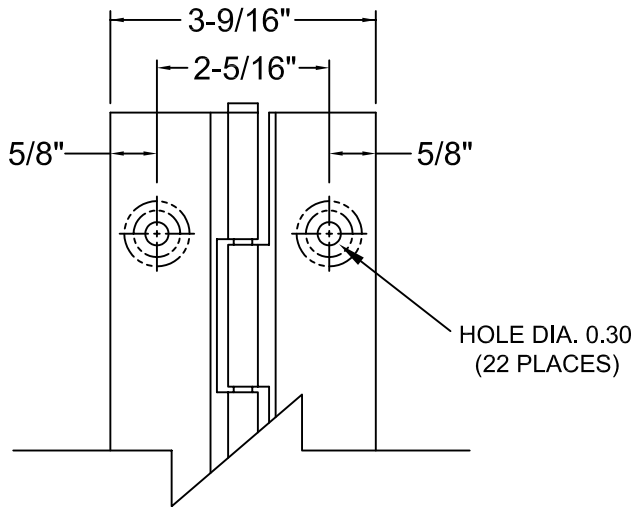
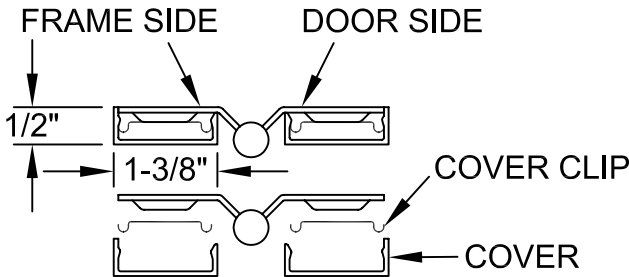


# HINGE MODEL: A502 - FULL SURFACE/FLUSH MOUNT

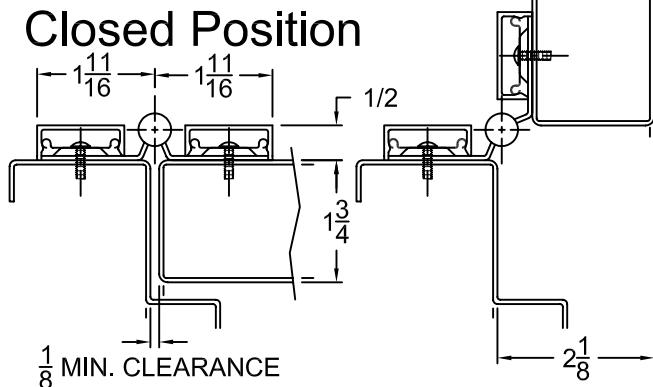
STANDARD HINGE LENGTH CONVERSION CHART  
A 78.750" ACTUAL LENGTH = AN 6'8" DOOR OPENING

78.750" (6'8")

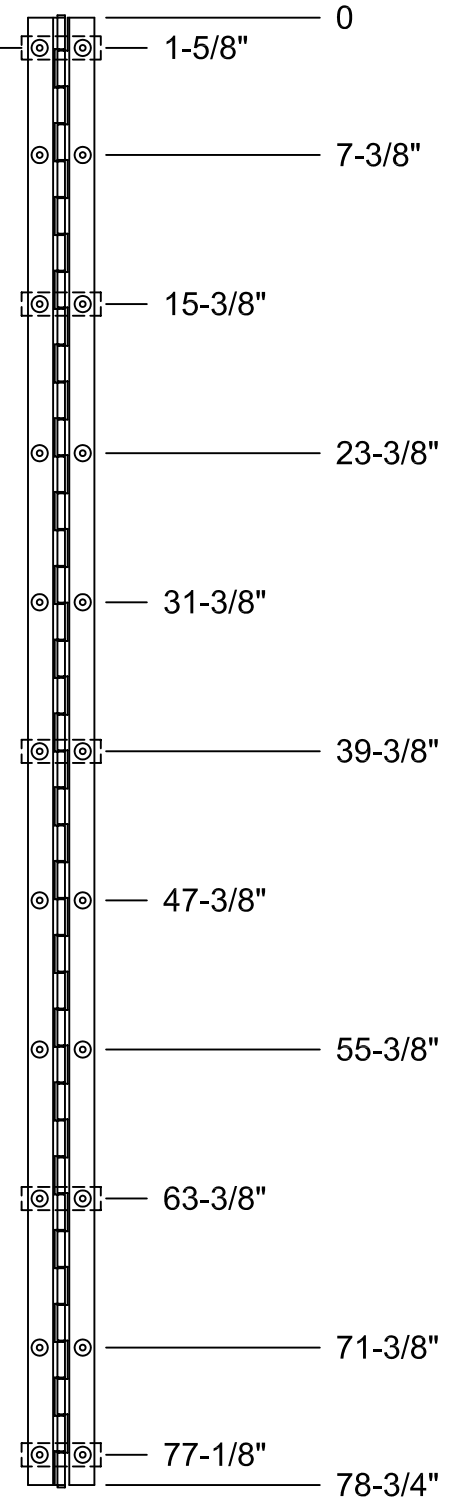
SCREW DETAIL	
QTY.	DESCRIPTION
22	1/4-20x0.750" PHILLIPS PAN HEAD SELF-DRILLING MACHINE SCREW
10	COVER CLIP



## 90° Open Position



COVER CLIP  
PLACEMENT



A502-78.750-04.DWG



® [www.abhmfg.com](http://www.abhmfg.com)  
E-mail: [abhinfo@abhmfg.com](mailto:abhinfo@abhmfg.com)  
Architectural Builders Hardware Mfg., Inc.  
1222 Ardmore Ave., Itasca, IL 60143  
630.875.9900; FAX 800.9FAXABH (932.9224)

© 2006 ABH Mfg., Inc.  
printed in USA

**A502-78.750**

REVISED 05-25-06