

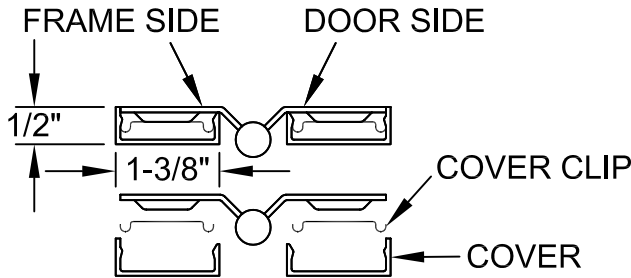
HINGE MODEL: A502 - FULL SURFACE/FLUSH MOUNT

118.750" (10'0")

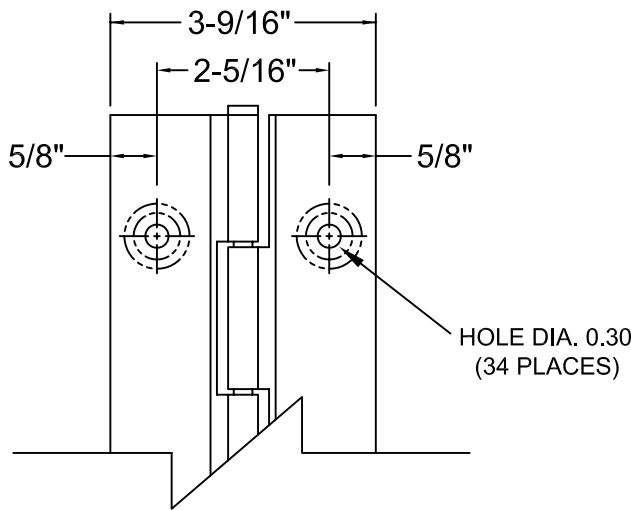
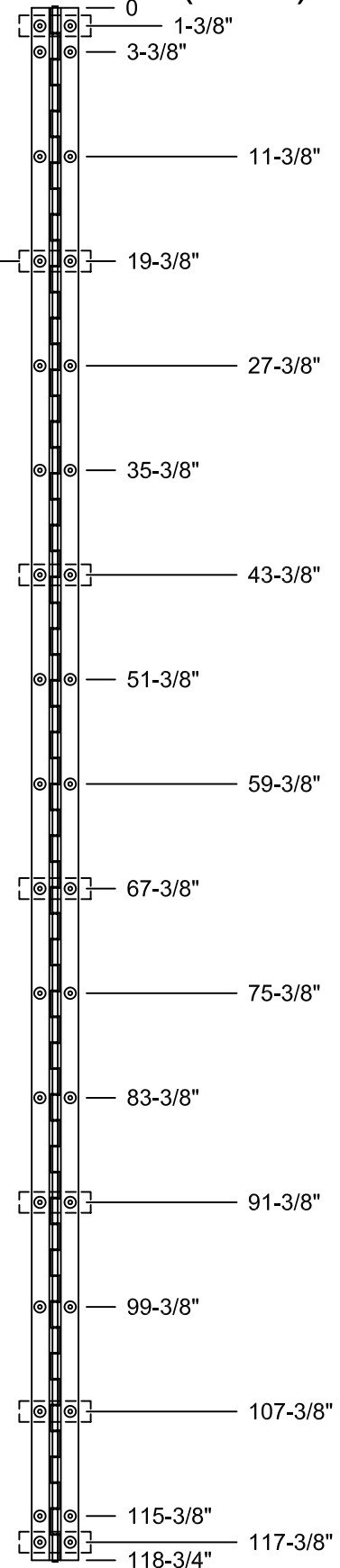


STANDARD HINGE LENGTH CONVERSION CHART
A 118.750" ACTUAL LENGTH = AN 10'0" DOOR OPENING

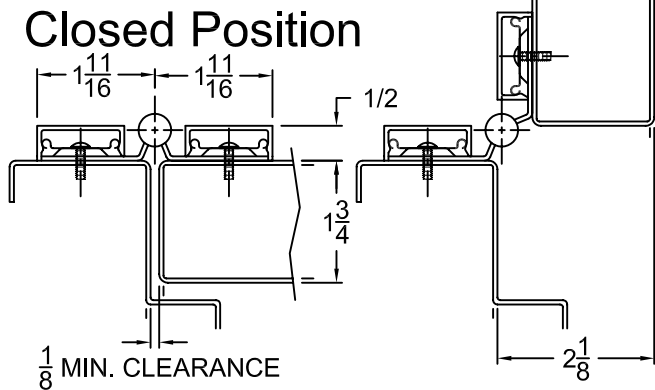
SCREW DETAIL	
QTY.	DESCRIPTION
34	1/4-20x0.750" PHILLIPS PAN HEAD SELF-DRILLING MACHINE SCREW
14	COVER CLIP



COVER CLIP
PLACEMENT



90° Open Position



A502-118.750-03.DWG



www.abhmf.com
E-mail: abhinfo@abhmf.com
Architectural Builders Hardware Mfg., Inc.
1222 Ardmore Ave., Itasca, IL 60143
630.875.9900; FAX 800.9FAXABH (932.9224)

© 2006 ABH Mfg., Inc.
printed in USA

A502-118.750

REVISED 05-25-06