

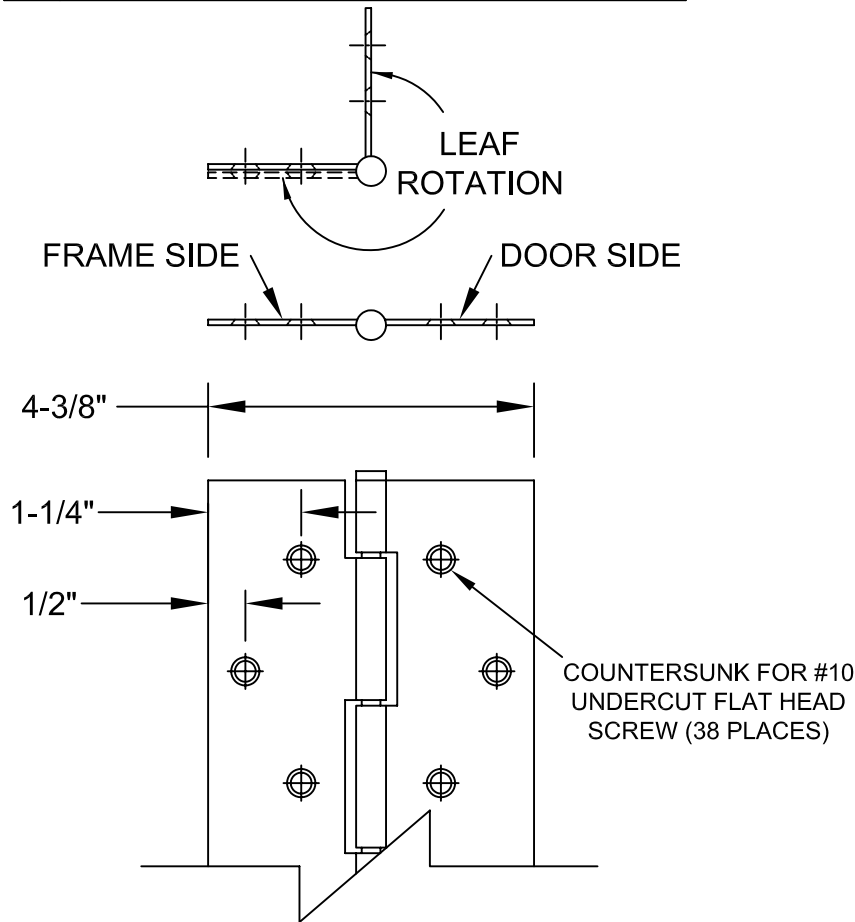


HINGE MODEL: A500 - FULL CONCEALED

STANDARD HINGE LENGTH CONVERSION CHART
A 78.75" ACTUAL LENGTH = AN 6'8" DOOR OPENING

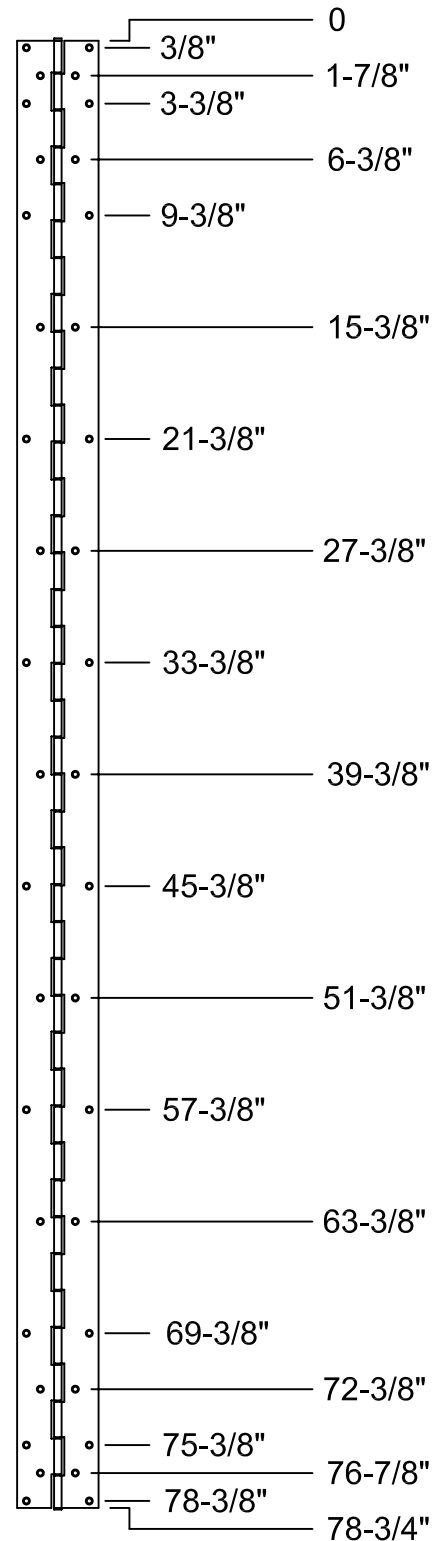
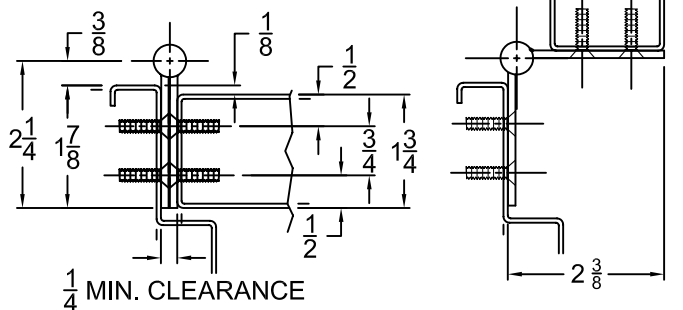
78.750 (6'8")

| SCREW DETAIL | |
|--------------|--|
| QTY. | DESCRIPTION |
| 38 | 10-24x7/8" PHILLIPS FLAT HEAD UNDERCUT SELF-DRILLING MACHINE SCREW |
| 38 | #10x1.250" PHILLIPS FLAT HEAD UNDERCUT SHEET METAL SCREW |



90° Open Position

Closed Position



® www.abhmfg.com
E-mail: abhinfo@abhmfg.com
Architectural Builders Hardware Mfg., Inc.
1222 Ardmore Ave., Itasca, IL 60143
630.875.9900; FAX 800.9FAXABH (932.9224)

© 2006 ABH Mfg., Inc.
printed in USA

A500-78.750

REVISED 11-16-06

A500-78.750-05.DWG