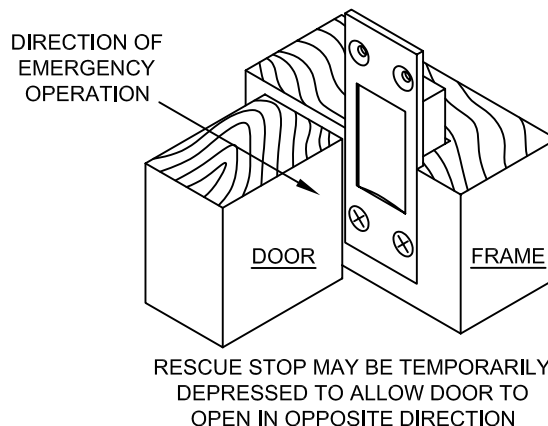
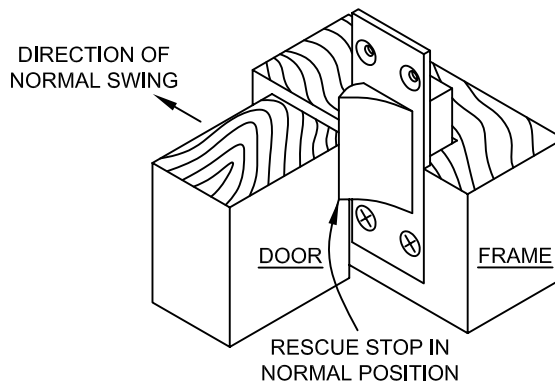
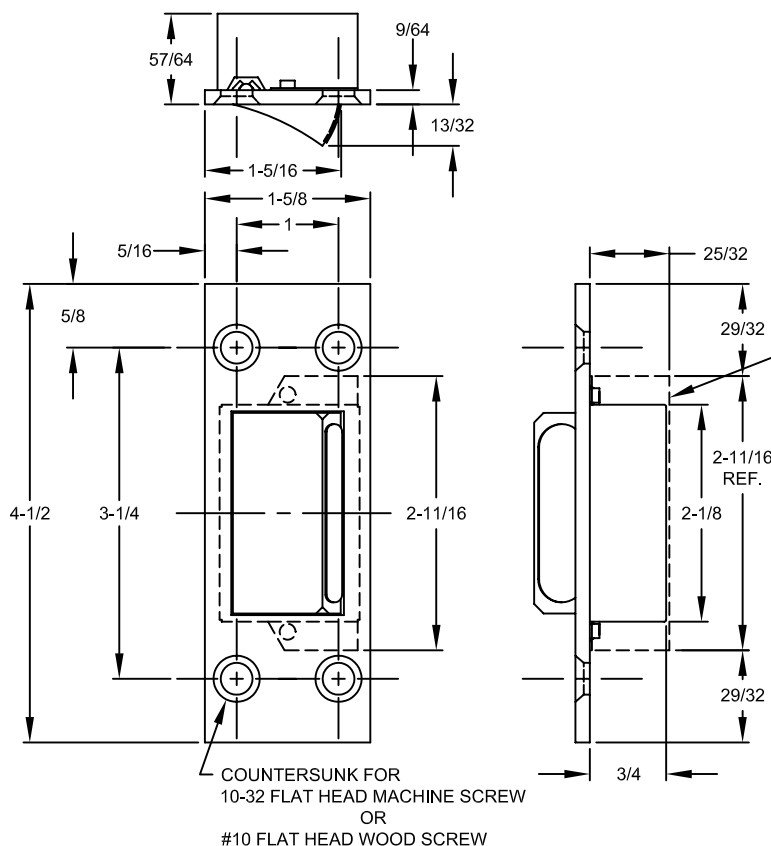
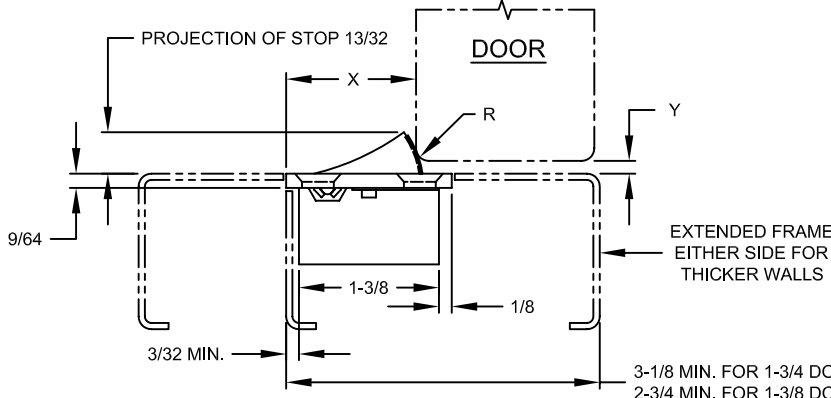


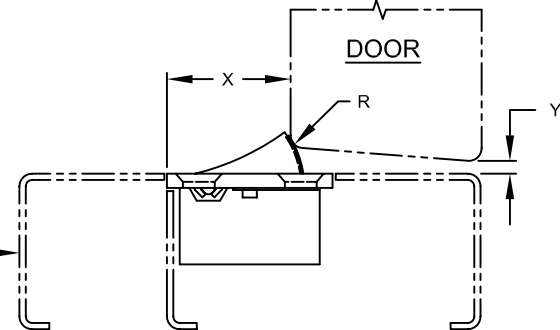
4590 RESCUE STOP



DOOR WITH SQUARE STILE



DOOR WITH BEVELED STILE



3-1/8 MIN. FOR 1-3/4" DOOR HAVING SHARP RADIUS.
2-3/4 MIN. FOR 1-3/8" DOOR HAVING SHARP RADIUS.

	"R" RADIUS AT EDGE OF STILE	"X" DIMENSION WHEN CLEARANCE "Y" = 1/8	"X" DIMENSION WHEN CLEARANCE "Y" = 3/32		
DOORS WITH SQUARE STILES (ANY THICKNESS)	SHARP	1-1/4	1-17/64		
	1/32	1-1/4	1-17/64		
	1/16	1-15/64	1-1/4		
	3/32	1-7/32	1-15/64		
	1/8	1-7/32	1-7/32		
DOORS WITH BEVELED STILES (1/8" IN 2" BEVEL)	SHARP	1-3/4" DOORS	1-3/8" DOORS	1-3/4" DOORS	1-3/8" DOORS
		1-13/64	1-1/4	1-7/32	1-17/64
	1/32	1-13/64	1-1/4	1-7/32	1-17/64
	1/16	1-3/16	1-15/64	1-13/64	1-1/4
	3/32	1-11/64	1-7/32	1-3/16	1-15/64
	1/8	1-5/32	1-7/32	1-11/64	1-15/64

NOTES:

1. SUGGESTED LOCATION 6" TO 10" ABOVE LATCH.
2. USED WITH CENTER HUNG DOOR PIVOT.

DO NOT SCALE



www.abhmfg.com
E-mail: abhinfo@abhmfg.com
Architectural Builders Hardware Mfg., Inc.
1222 Ardmore Ave., Itasca, IL 60143
630.875.9900; FAX 800.9FAXABH (932.9224)

©2007 ABH Mfg., Inc.
printed in USA

4590

ISSUED 03-12-07

4590-1-01.DWG