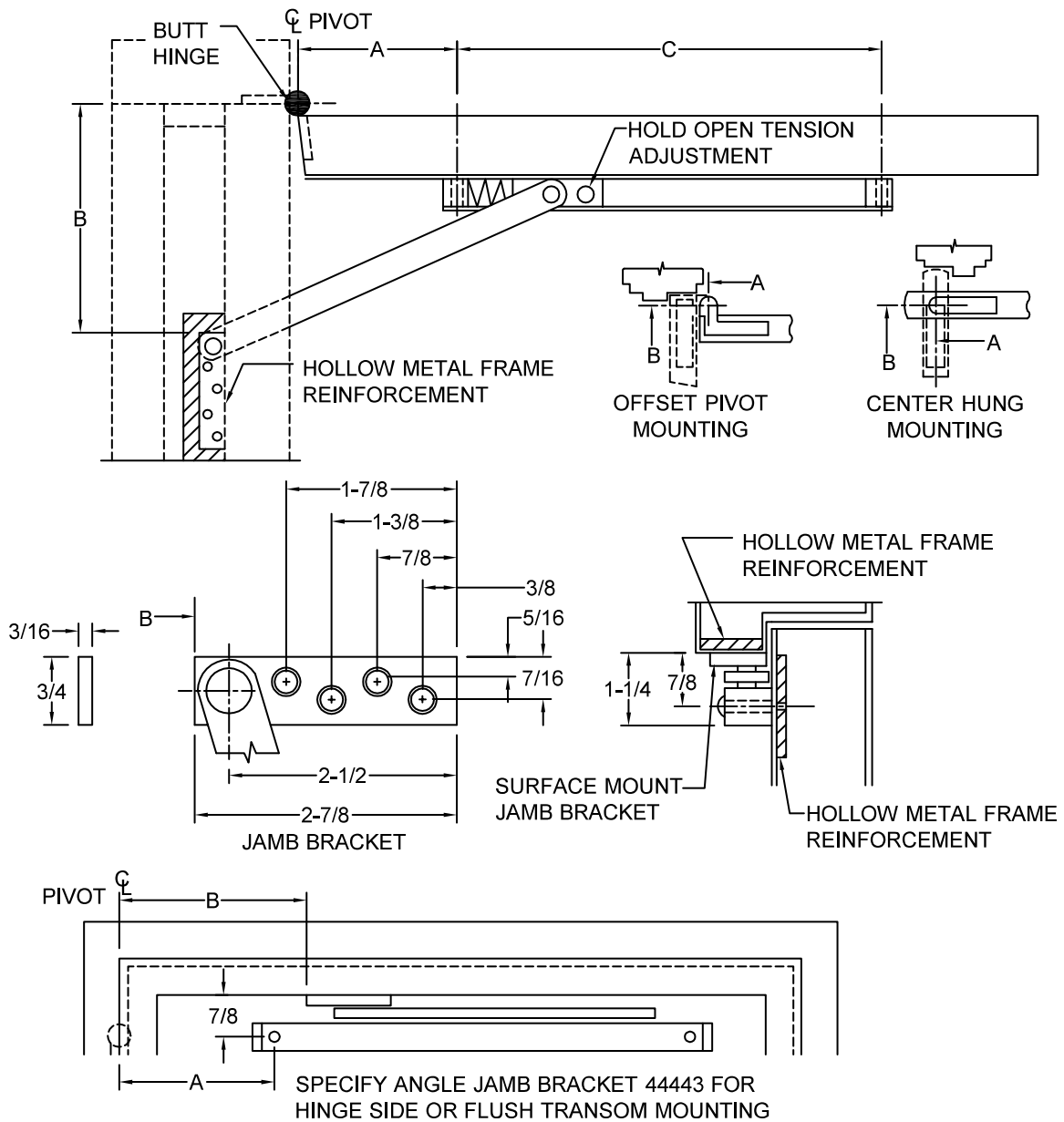


# 4400 SERIES SURFACE HOLDERS & STOPS

REVERSIBLE

FOR SINGLE ACTING DOORS ONLY

NON - HANDED



NOTE: ALL A, B & C DIMENSIONS MEASURED FROM  $\odot$  OF PIVOT

SCREW DETAIL			
	QTY	WOOD	METAL
JAMB	4	No. 10 X 1-1/2" F.H.W.S.	10-32 X 1/2" F.H.M.S.
DOOR	2	10-32 X 1-1/2" TRUSS HD MS, 5/16" DIA. SEX BOLT	10-32 X 1-1/2" TRUSS HD MS, 5/16" DIA. SEX BOLT

ALWAYS REQUEST LATEST TEMPLATE  
DRAWINGS FOR NEW INSTALLATIONS

DO NOT SCALE DRAWINGS  
ALL DIMENSIONS ARE IN INCHES



® [www.abhmfg.com](http://www.abhmfg.com)

E-mail: [abhinfo@abhmfg.com](mailto:abhinfo@abhmfg.com)

Architectural Builders Hardware Mfg., Inc.

1222 Ardmore Ave., Itasca, IL 60143

630.875.9900; FAX 800.9FAXABH (932.9224)

© 2009 ABH Mfg., Inc.  
printed in USA

4400

REVISED 08-18-09

4400-1-02.DWG

# 4410 SERIES HOLDERS, 4420 SERIES SIPS & 4430 SERIES FRICTION HOLDERS SURFACE MOUNTED

FOR DEAD STOP ADD 3/4" TO "A" DIMENSION

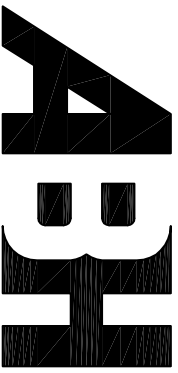
ALL DRILLING & TAPPING TO BE DONE IN FIELD  
ALL DIMENSIONS SHOWN IN INCHES

		85° H.O.		90° H.O.		95° H.O.		100° H.O.		105° H.O.		110° H.O.	
MODEL NO.	DOOR OPENING	A	B	A	B	A	B	A	B	A	B	A	B
4411	18" TO 23-15/16"	2-1/2	5-1/8	2-3/16	4-13/16	1-7/8	4-1/2	1-11/16	4-5/16	—	—	—	—
4431													13-11/16
4412	24" TO 29-15/16"	5	6-3/4	4-5/8	6-3/8	4-1/4	6	3-15/16	5-11/16	3-11/16	5-7/16	—	15-9/16
4432													
4413	30" TO 35-15/16"	10	7-11/16	9-1/2	7-3/16	9-1/16	6-3/4	8-3/4	6-7/16	8-7/16	6-1/8	8-1/8	5-13/16
4423													16-7/16
4433													
4414	36" TO 48"	14-3/8	9-3/16	13-13/16	8-5/8	13-5/16	8-1/8	12-7/8	7-11/16	12-1/2	7-5/16	12-1/8	6-15/16
4424													18-1/16
4434													

		85° H.O.		90° H.O.		95° H.O.		100° H.O.		105° H.O.		110° H.O.	
MODEL NO.	DOOR OPENING	A	B	A	B	A	B	A	B	A	B	A	B
4411	18" TO 23-15/16"	2-3/4	5-3/8	2-7/16	5-1/16	2-1/8	4-3/4	1-15/16	4-9/16	—	—	—	—
4421													13-11/16
4431													
4412	24" TO 29-15/16"	5-1/4	7	4-7/8	6-5/8	4-1/2	6-1/4	4-3/16	5-15/16	3-15/16	5-11/16	—	15-9/16
4422													
4432													
4413	30" TO 35-15/16"	10-1/4	7-15/16	9-3/4	7-7/16	9-5/16	7	9	6-11/16	8-11/16	6-3/8	8-3/8	6-1/16
4423													16-7/16
4433													
4414	36" TO 48"	14-5/8	9-7/16	14-1/16	8-3/4	13-9/16	8-3/8	13-1/8	7-15/16	12-3/4	7-9/16	12-3/8	7-3/16
4424													18-1/16
4434													

		85° H.O.		90° H.O.		95° H.O.		100° H.O.		105° H.O.		110° H.O.	
MODEL NO.	DOOR OPENING	A	B	A	B	A	B	A	B	A	B	A	B
4411	22" TO 27-7/16"	3-1/8	5-3/4	2-13/16	5-7/16	2-1/2	5-1/8	2-5/16	4-15/16	2-3/16	4-13/16	2	4-5/8
4421												2	13-11/16
4431													
4412	27-1/2" TO 33-7/16"	5-5/8	7-3/8	5-1/4	7	4-7/8	6-5/8	4-9/16	6-5/16	4-5/16	6-1/16	4-1/16	5-13/16
4422													15-9/16
4432													
4413	33-1/2" TO 38-15/16"	10-5/8	8-5/16	10-1/8	7-13/16	9-11/16	7-3/8	9-3/8	7-1/16	9-1/16	6-3/4	8-3/4	6-7/16
4423													16-7/16
4433													
4414	39" TO 48"	15	9-13/16	14-7/16	9-1/4	13-15/16	8-3/4	13-1/2	8-5/16	13-1/8	7-15/16	12-3/4	7-9/16
4424													18-1/16
4434													

4400-2-02.DWG



www.abhmf.com

E-mail: abhinfo@abhmf.com

Architectural Builders Hardware Mfg., Inc.

1222 Ardmore Ave., Itasca, IL 60143

630.875.9900; FAX 800.9FAXABH (932.9224)

©2009 ABH Mfg., Inc.

Printed in USA

4400

ISSUED 08-18-09