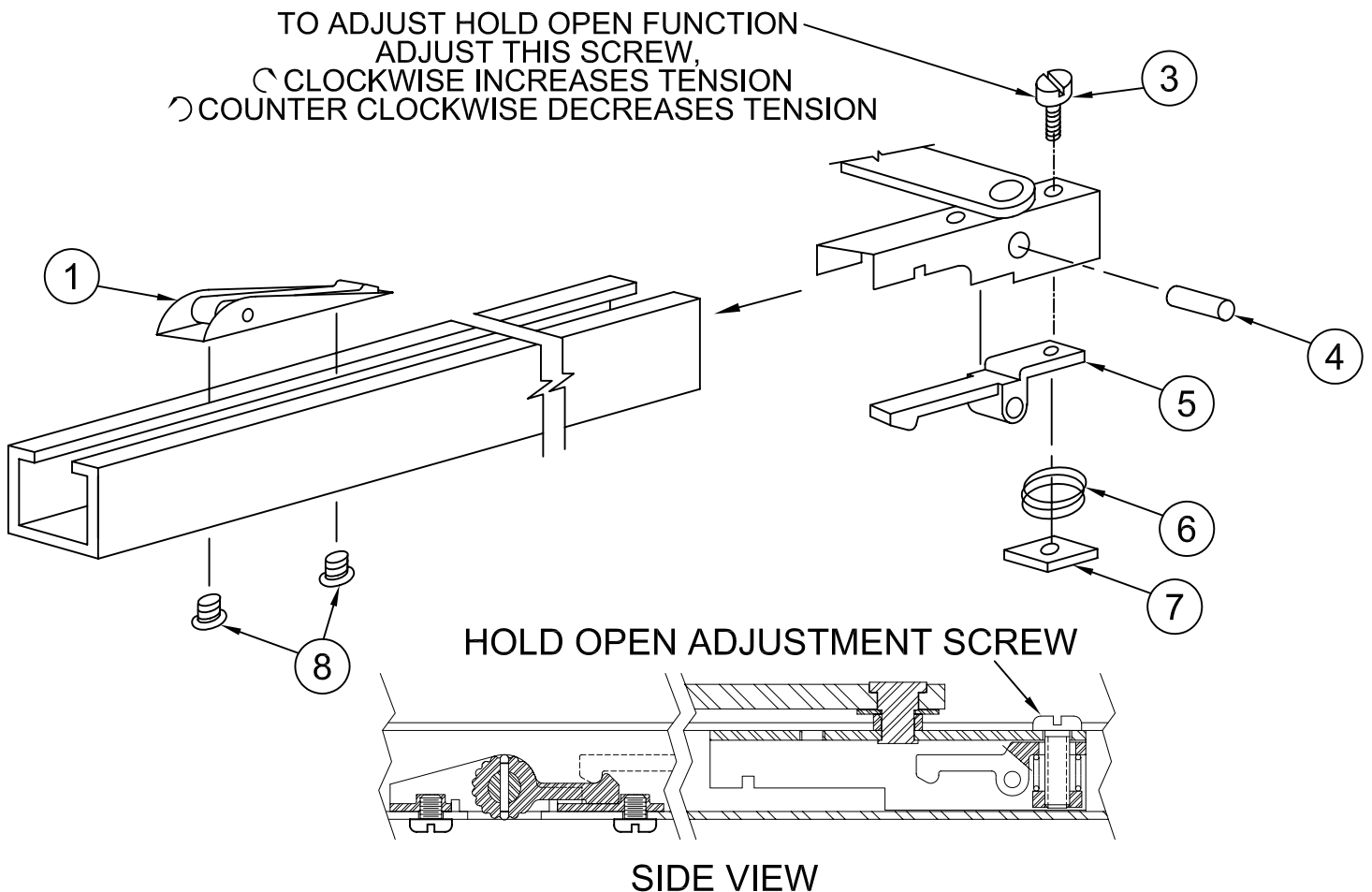


## CONVERSION PART LIST FOR MODELS 4000

ITEM	QTY	DESCRIPTION
1	1	CHANNEL HOLD-OPEN ASSEMBLY
2		N/A
3	1	HOLD-OPEN TENSION SCREW-L.H. THREAD
4	1	3/16 DIA. X .940 LONG PIN
5	1	CAM HOLD-OPEN LEVER
6	1	HOLD-OPEN TENSION SPRING
7	1	HOLD-OPEN TENSION PLATE
8	2	10-32 X 1X4" SCREWS
9		N/A

### 4000 HOLD-OPEN CONVERSION

TO DISASSEMBLE DRILL OUT EYELET FROM CHANNEL FROM NON-SPRING END.



[www.abhmfg.com](http://www.abhmfg.com)  
 E-mail: [abhinfo@abhmfg.com](mailto:abhinfo@abhmfg.com)  
 Architectural Builders Hardware Mfg., Inc.  
 1222 Ardmore Ave., Itasca, IL 60143  
 630.875.9900; FAX 800.9FAXABH (932.9224)

© 2007 ABH Mfg., Inc.  
printed in USA

**4000  
H.O. KIT**

REVISED 09-07-07

4000-CON-01.DWG