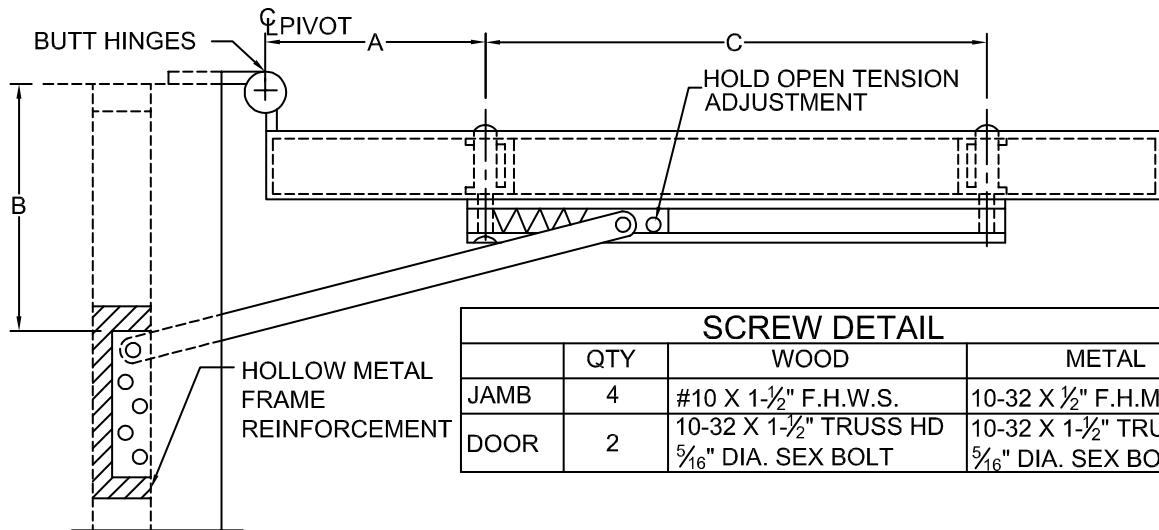


3300 ADJ SERIES SURFACE HOLDERS

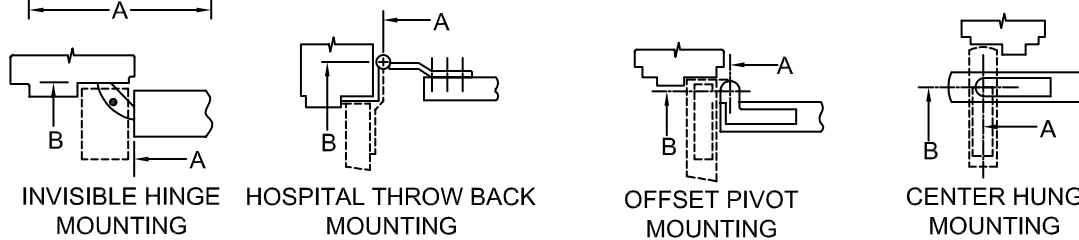
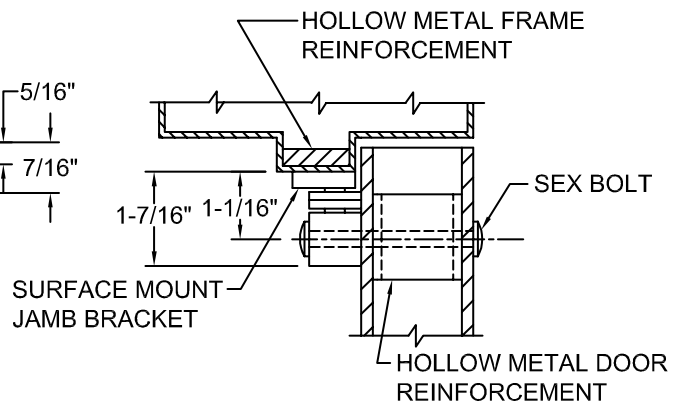
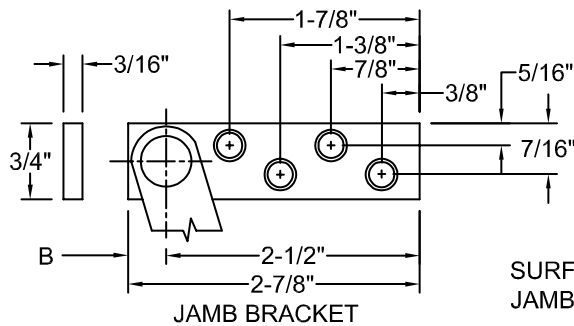
REVERSIBLE

FOR SINGLE ACTING DOORS ONLY

NON - HANDED



| SCREW DETAIL | | | |
|--------------|-----|------------------------------------------------|------------------------------------------------|
| | QTY | WOOD | METAL |
| JAMB | 4 | #10 X 1-1/2" F.H.W.S. | 10-32 X 1/2" F.H.M.S. |
| DOOR | 2 | 10-32 X 1-1/2" TRUSS HD 5/16" DIA. SEX BOLT | 10-32 X 1-1/2" TRUSS HD 5/16" DIA. SEX BOLT |



ALWAYS REQUEST LATEST TEMPLATE DRAWINGS FOR NEW INSTALLATIONS

DO NOT SCALE DRAWINGS ALL DIMENSIONS ARE IN INCHES



® www.abhmfg.com
 E-mail: abhinfo@abhmfg.com
 Architectural Builders Hardware Mfg., Inc.
 1222 Ardmore Ave., Itasca, IL 60143
 630.875.9900; FAX 800.9FAXABH (932.9224)

© 2006 ABH Mfg., Inc.
 printed in USA

3300ADJ

REVISED 02-01-06

3300 ADJUSTABLE SERIES HOLDERS, STOPS & FRICTION SURFACE MOUNT

REVERSIBLE / NON-HANDED

SEE OTHER SIDE FOR INSTALLATION INSTRUCTIONS
SELECT PROPER DIMENSIONS FROM CHART BELOW
ALL DRILLING AND TAPPING TO BE DONE IN FIELD
ALL DIMENSIONS SHOWN IN INCHES
FOR SINGLE ACTING DOOR ONLY

| MODEL NO. | DOOR OPENING | SET FOR 95° H.O. | | |
|-----------|------------------------|-------------------|-------------------|---------------------|
| | | A | B | C |
| 3311ADJ | 24-29- $\frac{15}{16}$ | 5 | 6- $\frac{3}{8}$ | 15- $\frac{13}{16}$ |
| 3321ADJ | | 9 | 7- $\frac{7}{8}$ | 17- $\frac{1}{16}$ |
| 3331ADJ | | | | |
| 3312ADJ | 30-35- $\frac{15}{16}$ | 9 | 7- $\frac{7}{8}$ | 17- $\frac{1}{16}$ |
| 3322ADJ | | | | |
| 3332ADJ | | | | |
| 3313ADJ | 36-42 | 13- $\frac{1}{6}$ | 9- $\frac{5}{16}$ | 19- $\frac{7}{16}$ |
| 3323ADJ | | | | |
| 3333ADJ | | | | |

TO CHANGE H.O. OR STOP DEGREE

1. LOOSEN "ARM SCREW A" IN SLOTTED SECTION, SEE FIG. 1.
DO NOT REMOVE.
2. REMOVE "ARM SCREW B" ONLY. SEE FIG. 1.
3. OPEN DOOR TO DESIRED DEGREE.
4. POSITION "SLIDE BLOCK (CAM)" AGAINST END OF RAIL CLOSEST TO HINGE EDGE OF DOOR. SEE FIG. 2.
5. INSTALL "ARM SCREW B" IN ARM AND SECURE.
6. TIGHTEN "ARM SCREW A" SECURELY.

CAUTION: ARM SCREW "B" MUST BE INSTALLED AND BOTH SCREWS
"A" AND "B" SECURED OR UNIT WILL FAIL TO HOLD POSITION

"A" AND "B" DIMENSIONS MEASURED FROM CENTER LINE OF PIVOT-NOT EDGE OF DOOR

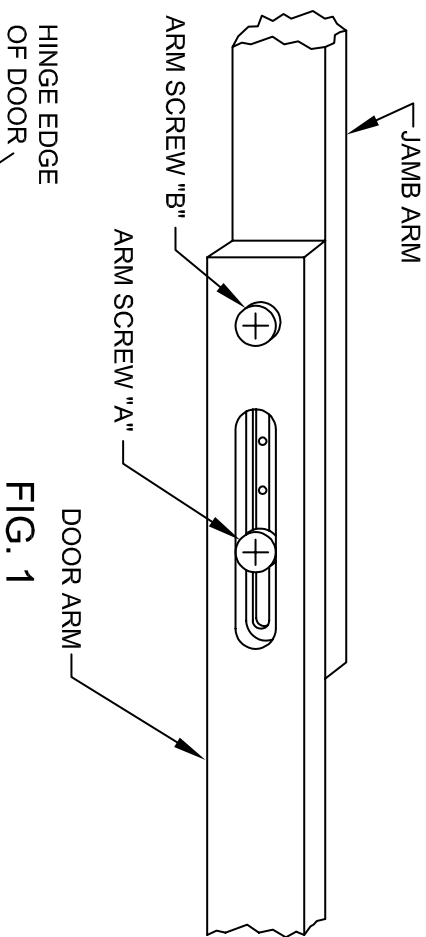


FIG. 1

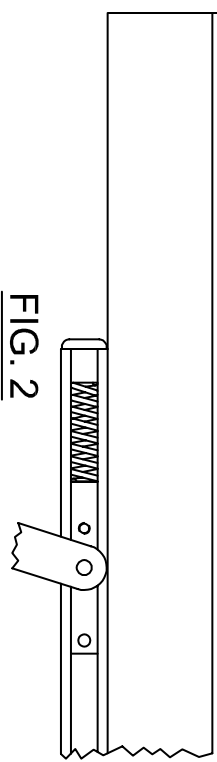
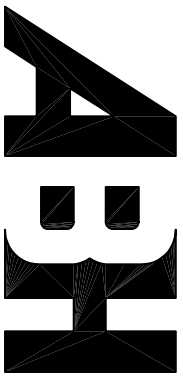


FIG. 2



www.abhmf.com

E-mail: abhinfo@abhmf.com

Architectural Builders Hardware Mfg., Inc.

1222 Ardmore Ave., Itasca, IL 60143

630.875.9900; FAX 800.9FAXABH (932.9224)

ABH is a minority
owned and operated
manufacturing company.

©2004 ABH Mfg., Inc.
printed in USA

3300adj-2-00.DWG

3300ADJ

ISSUED 06-21-04

