

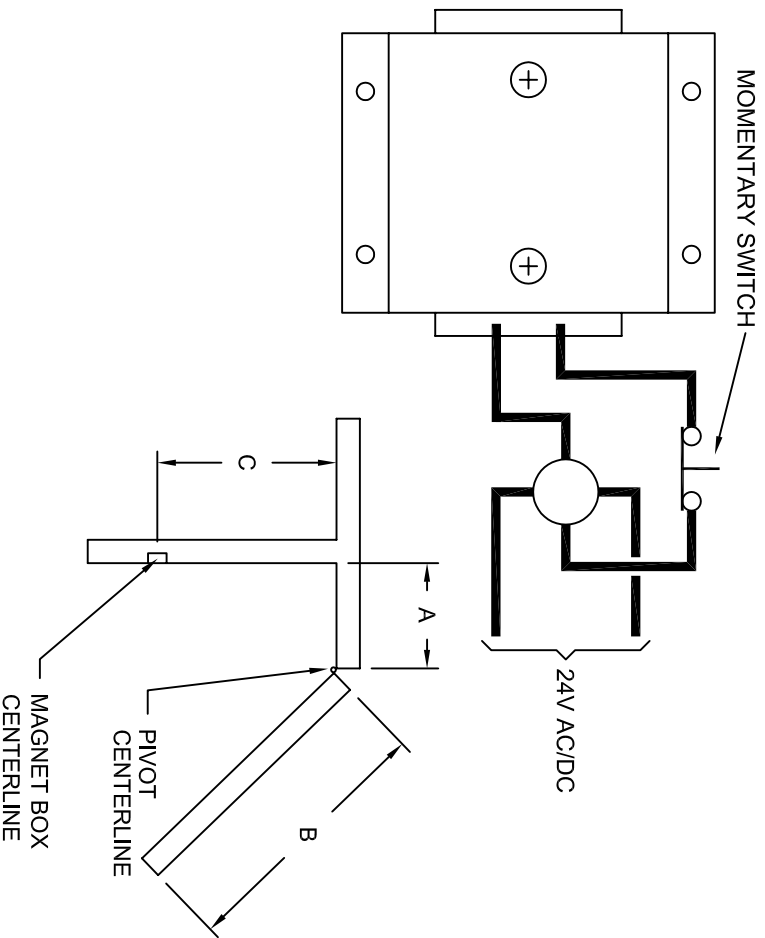
ELECTRICAL DATA SHEET

THIS PRODUCT IS AN ELECTROMAGNETIC HOLDING DEVICE INTENDED FOR USE IN A DRY INTERIOR ENVIRONMENT FOR FIRE DOOR APPLICATIONS BUT CAN BE USED FOR OTHER MAGNETIC APPLICATIONS. WIRE INTO PROPER TERMINALS AS NOTED BELOW:

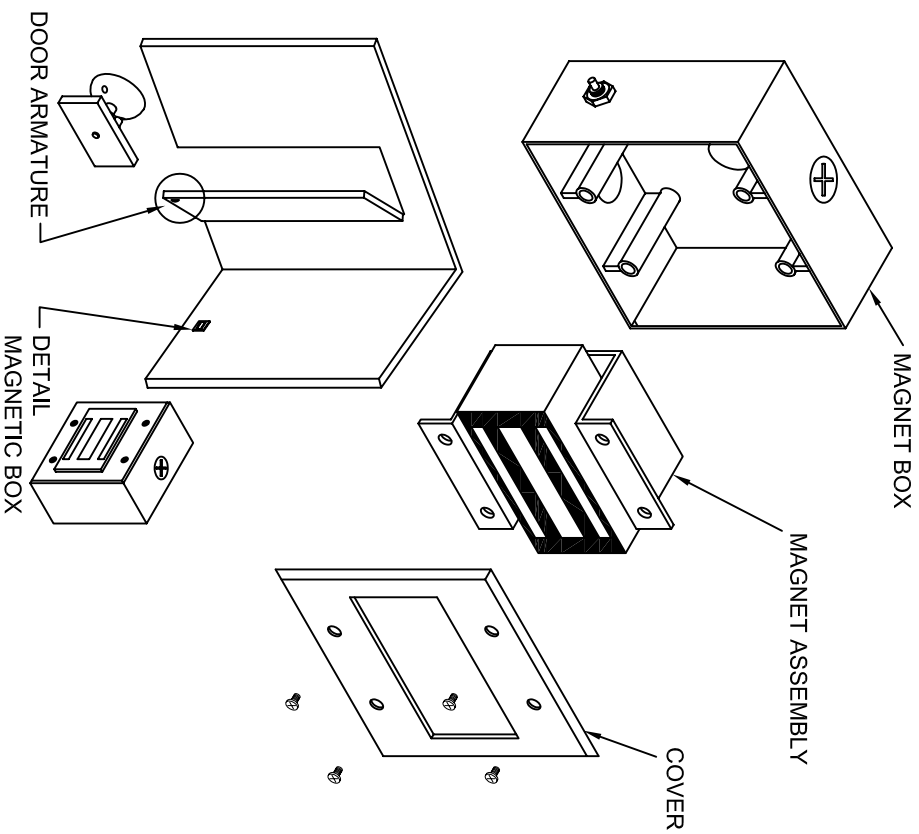
PLEASE READ INSTRUCTIONS CAREFULLY!!

SERIES	MODEL	* VOLTAGE	mA	VA	TERMINALS
2500	2510	24 AC/DC	105	1.26	Com & 24 V

* INPUT CURRENT SHALL NOT EXCEED THE MARKED RATING



ELECTROMAGNETIC DOOR HOLDER ASSEMBLY INSTRUCTIONS & ELECTRICAL CONFIGURATIONS



ALL SPECIFICATIONS SUBJECT TO CHANGE WITHOUT NOTICE. INFORMATION FURNISHED BY ARCHITECTURAL BUILDERS HARDWARE MFG. INC. (ABH) IS BELIEVED TO BE ACCURATE AND RELIABLE HOWEVER, NO RESPONSIBILITY OR LIABILITY IS ASSUMED BY ABH FOR ITS USE NOR FOR ANY INFRINGEMENT OF PATENTS OR OTHER RIGHTS OF THIRD PARTIES WHICH MAY RESULT FROM ITS USE. NO LICENSE IS GRANTED BY IMPLICATION OR OTHERWISE UNDER ANY PATENT OR OTHER RIGHTS OF ABH.
2004 Architectural Builders Hardware Mfg., Inc. All right reserved

ABH

www.abhmf.com

E-mail: abhinfo@abhmf.com

Architectural Builders Hardware Mfg., Inc.

1222 Ardmore Ave., Itasca, IL 60143

630.875.9900; FAX 800.9FAXABH (932.9224)

©2004 ABH Mfg., Inc.
printed in USA

2510-1-01.DWG

2510

REVISED 05-18-05

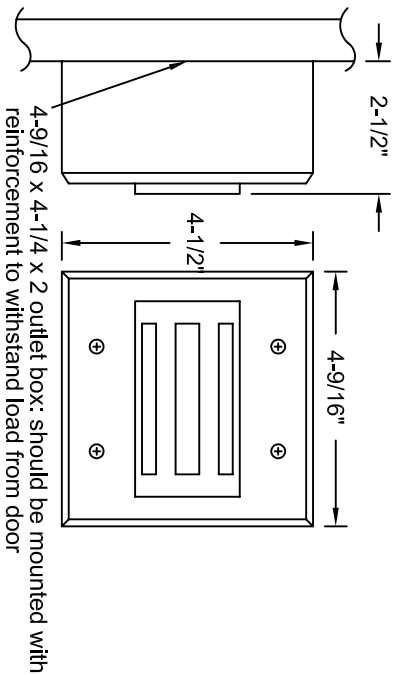
Step #1 Locations of Magnet Box:

- 1-1 Measure distance from pivot centerline to wall (DIM A)
- 1-2 Determine door width (DIM B).
- 1-3 To locate magnet box use Table below.
- 1-4 DIM C is the distance from the pivot centerline to the magnet box centerline.
Example: DIM A = 10" DIM B = 42" RESULT: DIM C = 39"
- 1-5 If DIM A or DIM B intersect in the shaded area, DO NOT install magnet box: The Example 2: DIM A = 7" DIM B = 36" Estimated DIM C = 33-1/8"
- 1-6 If DIM A and DIM B intersect in the shaded area, DO NOT install magnet box: The degree of door opening will not permit proper alignment between armature and wall magnet.
- 1-7 Suggested height 20" to 40" from the floor and/or not over 60".
- 1-8 Check degree of door opening shown in table and coordinate with door closers and other door hardware.
- 1-9 Total projection of door hardware must not be more than 4-1/2" on the pull side of door.

DIM B	28	30	32	34	36	38	40	42	44	46	48	
DIM A	DIM C	DEG	DIM C	DEG	DIM C	DEG	DIM C	DEG	DIM C	DEG	DIM C	DEG
2	25-1/4	84	27-1/4	85	29-1/4	85	31-1/4	85	33-1/4	86	35-1/4	86
4	25-3/8	89	27-3/8	89	29-3/8	89	31-3/8	89	33-3/8	89	35-3/8	89
6	25-3/8	93	27-3/8	93	29-3/8	93	31-3/8	93	33-3/8	93	35-3/8	92
8	25-1/8	98	27-1/8	97	29-1/8	97	31-1/8	96	33-1/4	96	35-1/4	94
10	24-3/4	103	26-7/8	102	28-7/8	101	30-7/8	100	32-7/8	99	35	99
12	24-1/4	107	26-3/8	106	28-3/8	105	30-1/2	104	32-1/2	103	34-5/8	102
14	23-5/8	112	25-5/8	110	27-3/4	109	29-7/8	108	32	107	34-1/8	106
16	22-5/8	117	24-7/8	115	27	113	29-1/4	112	31-3/8	110	33-3/4	109
18	21-1/2	122	23-7/8	120	26-1/8	117	28-3/8	115	30-1/2	114	32-3/4	112
20				25	122	27-1/4	120	29-3/8	118	118	31-3/4	116
22								30-3/4	120	33	33	115
24								29-3/4	123	31-7/8	121	113
26								33	123	35-3/8	121	118

Step #2 INSTALLATION OF IN-WALL MAGNET BOX:

- 2-1 Locate on the wall the dimension DIM C by tracing temporarily a vertical line at the distance DIM C (calculated in the previous page) from the corner of the wall.
- 2-2 Proper electrical wire routing must be done before installing magnet box.

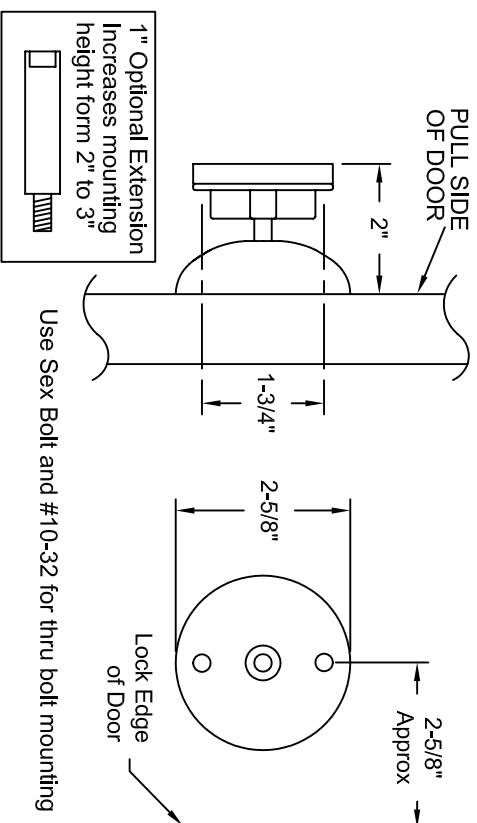


Step #2 Continued:

- 2-3 The 4-9/16 x 4-1/4 x 2-1/2 outlet box must be installed in the wall in such a way that the center line of the outlet box coincides with the created in step 2-1.
- 2-4 The box should be installed with reinforcement to withstand a minimum 400 lbs. pull.
- 2-5 The height of the outlet box must be chosen so the door armature can be installed at the same height on the door without interfering with the other door hardware.
- 2-6 Install and verify the proper bracket and cover alignment.
- 2-7 For detail on electrical wiring, read the specific "Electrical Data Sheet" at the end of this documentation.

Step #3 INSTALLATION OF DOOR ARMATURE:

- 3-1 With the magnet box securely fastened, aligned and energized, place and center the door armature on the surface of the magnet with the two holes of the base aligned either vertically or horizontally.
- 3-2 Gently close the door and adjust the angle of the door armature so the base lays flat against the door.
- 3-3 While keeping slight pressure on the door, mark location of the door armature through the two base holes. The two marks should be 1-3/4" apart and the center line of the door armature should be approximately 2-5/8" from the lock edge of the door.
- 3-4 Drill through the door where the two marks are located with a 5/16" drill.
- 3-5 Mount the door armature on the door: Use two #10-32 screws with two #10-32 x 1-1/4" sex bolts.



ABH

www.abhmf.com

E-mail: abhinfo@abhmf.com

Architectural Builders Hardware Mfg., Inc.

1222 Ardmore Ave., Itasca, IL 60143

630.875.9900; FAX 800.9FAXABH (932.9224)

ABH is a minority owned and operated manufacturing company.

© 2004 ABH Mfg., Inc.
printed in USA

2510-2-00.DWG

2510

ISSUED 09-20-04