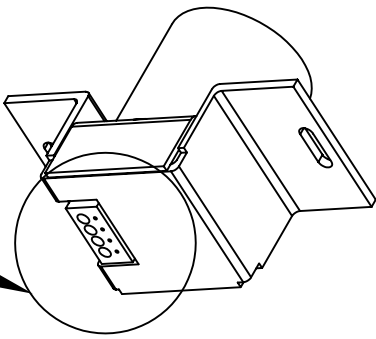


ELECTRICAL DATA SHEET

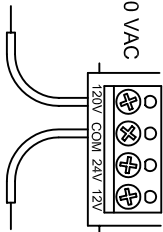
THIS PRODUCT IS AN ELECTROMAGNETIC HOLDING DEVICE INTENDED FOR USE IN FIRE DOOR APPLICATIONS, BUT CAN BE USED FOR OTHER MAGNETIC APPLICATIONS. WIRE INTO PROPER TERMINALS AS NOTED BELOW. PLEASE READ INSTRUCTIONS CAREFULLY!!

SERIES	VOLTAGE	DC/ma	DC/vA	AC/ma	AC/vA	TERMINALS
		2400L	12 DC	60	.72	
	24 AC/DC	30	.72	30	.72	Com & 24 v
	120 AC			30	3.60	Com & 120 v

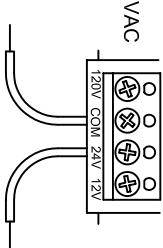


SEE WIRING DIAGRAMS TO THE RIGHT FOR YOUR APPLICATION

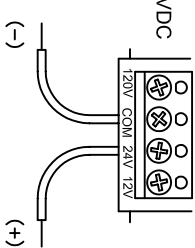
WIRING FOR 120 VAC



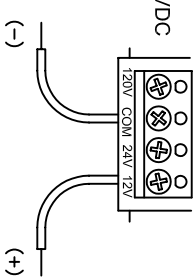
WIRING FOR 24 VAC



WIRING FOR 24 VDC



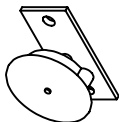
WIRING FOR 12 VDC



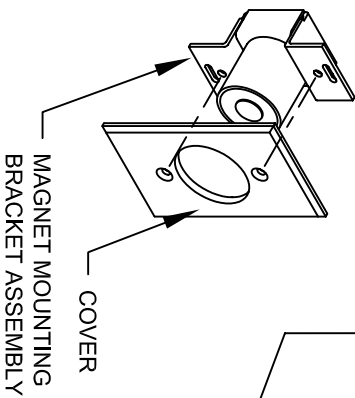
CAUTION
DO NOT LEAVE
WIRE EXPOSED

ALL SPECIFICATIONS SUBJECT TO CHANGE WITHOUT NOTICE. INFORMATION FURNISHED BY ARCHITECTURAL BUILDERS HARDWARE MFG. INC. (ABH) IS BELIEVED TO BE ACCURATE AND RELIABLE HOWEVER, NO RESPONSIBILITY OR LIABILITY IS ASSUMED BY ABH FOR ITS USE

ELECTROMAGNETIC DOOR HOLDER ASSEMBLY INSTRUCTIONS & ELECTRICAL CONFIGURATIONS

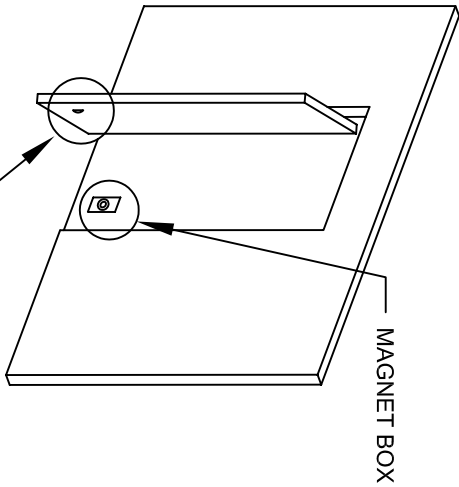


DOOR ARMATURE



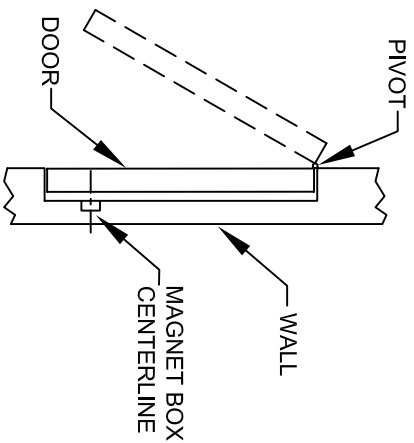
MAGNET MOUNTING
BRACKET ASSEMBLY

COVER



MAGNET BOX

DOOR ARMATURE



www.abhmfy.com

E-mail: abhinfo@abhmfy.com

Architectural Builders Hardware Mfg., Inc.

1222 Ardmore Ave., Itasca, IL 60143

630.875.9900; FAX 800.9FAXABH (932.9224)

ABH is a minority
owned and operated
manufacturing company.

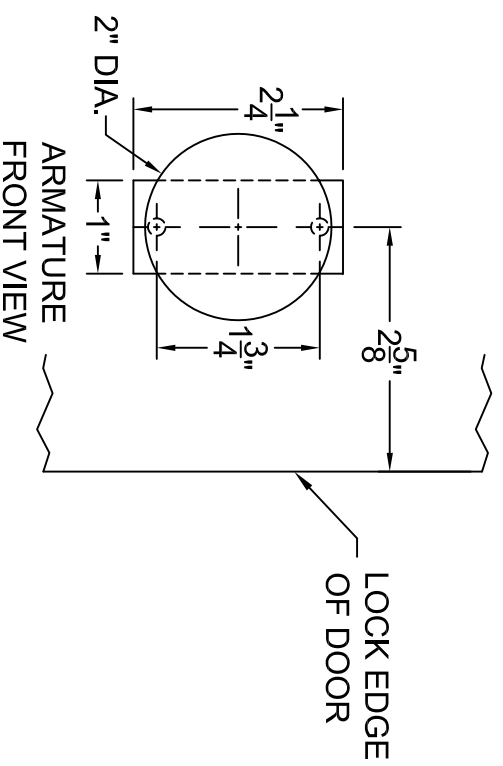
© 2004 ABH Mfg., Inc.
printed in USA

2400L-1-00.DWG

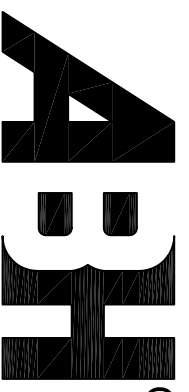
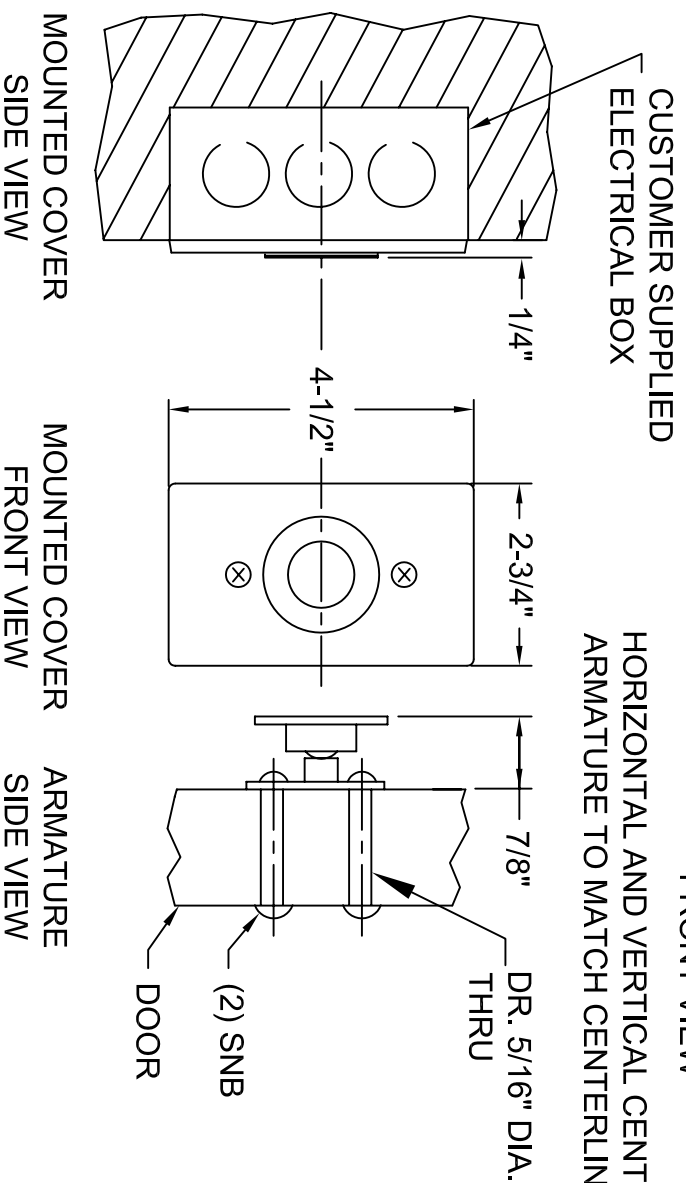
2400L

ISSUED 09-15-04

ABH



HORIZONTAL AND VERTICAL CENTERLINES OF THE ARMATURE TO MATCH CENTERLINES OF THE MAGNET.



www.abhmfy.com
 E-mail: abhinfo@abhmfy.com
 Architectural Builders Hardware Mfg., Inc.
 1222 Ardmore Ave., Itasca, IL 60143
 630.875.9900; FAX 800.9FAXABH (932.9224)

ABH is a minority owned and operated manufacturing company.

©2004 ABH Mfg., Inc. printed in USA

2400L
 ISSUED 09-15-04

2400L-2-00.DWG