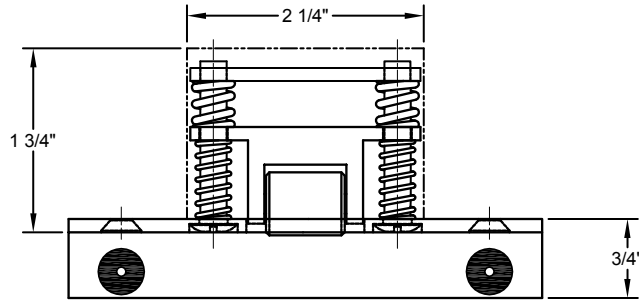


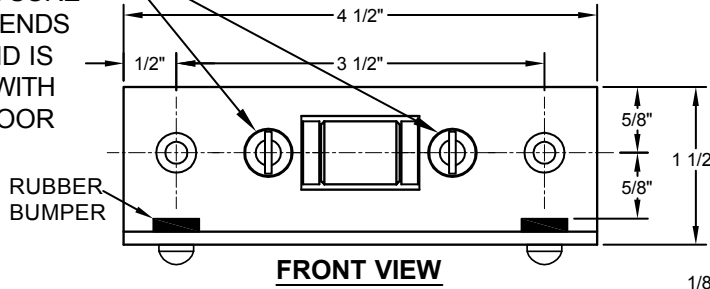
# 1893 ROLLER LATCH WITH APPLIED STOP WITH STRIKE

FOR USE WITH SINGLE DOORS WITHOUT STOP

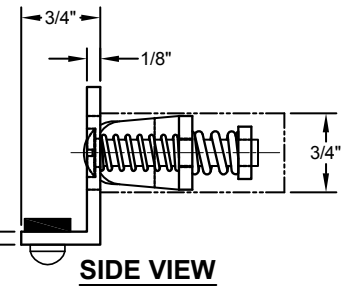


**TOP VIEW**

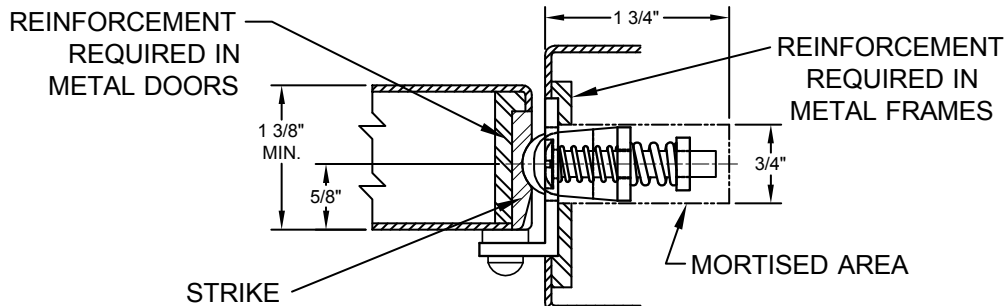
ROLLER ADJUSTING SCREWS, BE SURE ROLLER EXTENDS EVENLY AND IS PARALLEL WITH EDGE OF DOOR



**FRONT VIEW**



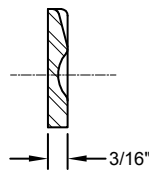
**SIDE VIEW**



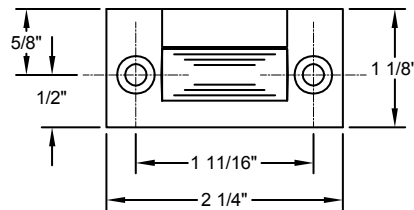
**SECTION VIEW**



**TOP VIEW**



**SIDE VIEW**



**FRONT VIEW**

SCREW DETAIL		
	QTY	DESCRIPTION
BODY	2	#10 x 3/4" F.H. S.M.S.
STRIKE	2	#8 x 3/4" F.H. S.M.S.

DO NOT SCALE DRAWING



® [www.abhmfg.com](http://www.abhmfg.com)

E-mail: [abhinfo@abhmfg.com](mailto:abhinfo@abhmfg.com)  
 Architectural Builders Hardware Mfg., Inc.  
 1222 Ardmore Ave., Itasca, IL 60143  
 630.875.9900; FAX 800.9FAXABH (932.9224)

© 2010 ABH Mfg., Inc.  
 printed in USA

1893-03.DWG

1893

REVISED 05-05-10