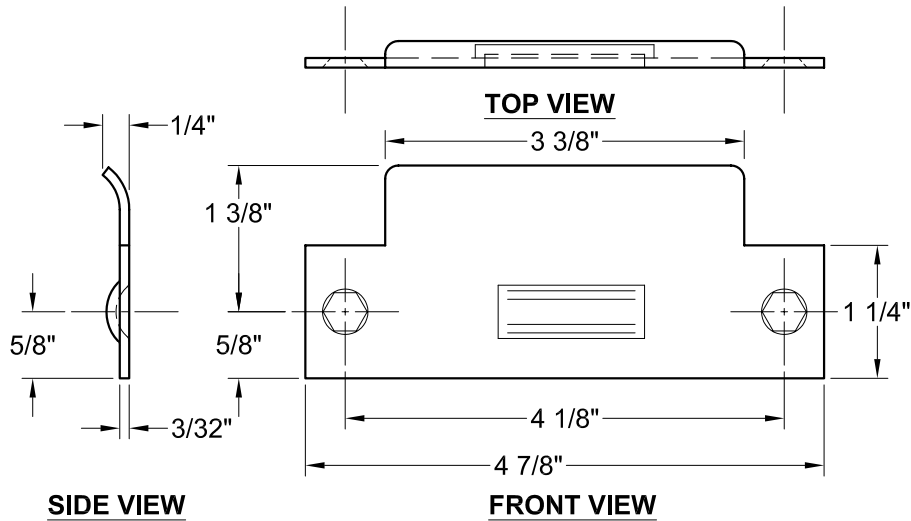
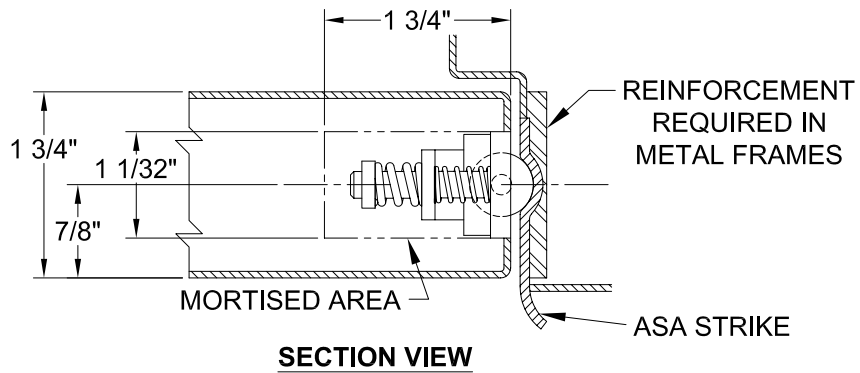
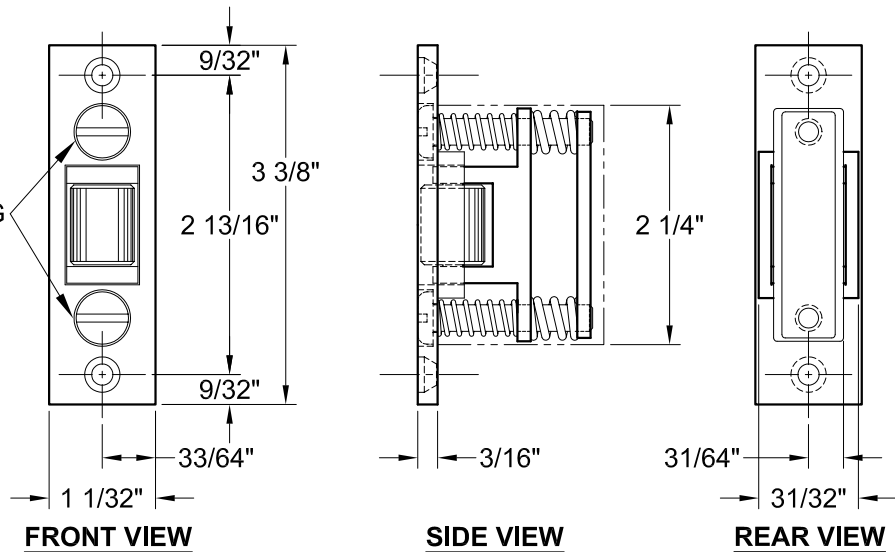


1891 ROLLER LATCH WITH ASA

ROLLER ADJUSTING SCREWS, BE SURE ROLLER EXTENDS EVENLY AND IS PARALLEL WITH EDGE OF DOOR



SCREW DETAIL		
	QTY	DESCRIPTION
BODY	2	#10 x 3/4" F.H. S.M.S.
STRIKE	2	12-24 x 3/8" F.H. M.S.

DO NOT SCALE DRAWING

1891-01.DWG



® www.abhmfg.com
 E-mail: abhinfo@abhmfg.com
 Architectural Builders Hardware Mfg., Inc.
 1222 Ardmore Ave., Itasca, IL 60143
 630.875.9900; FAX 800.9FAXABH (932.9224)

© 2007 ABH Mfg., Inc.
 printed in USA

1891

REVISED 03-05-07