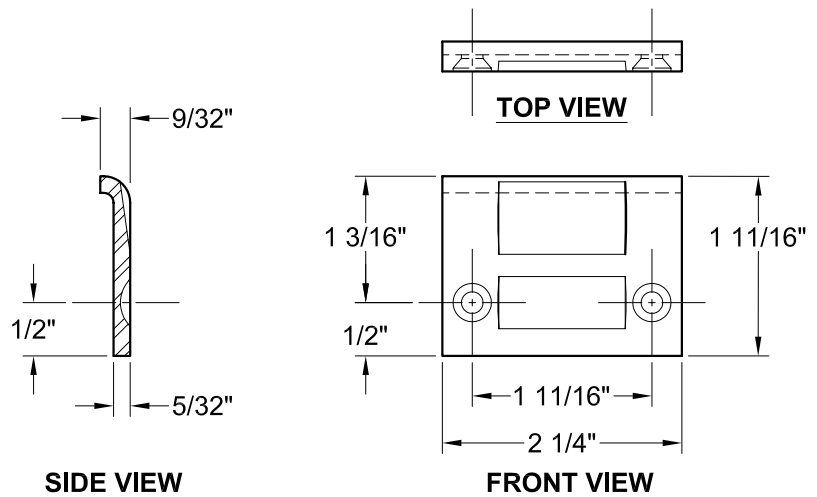
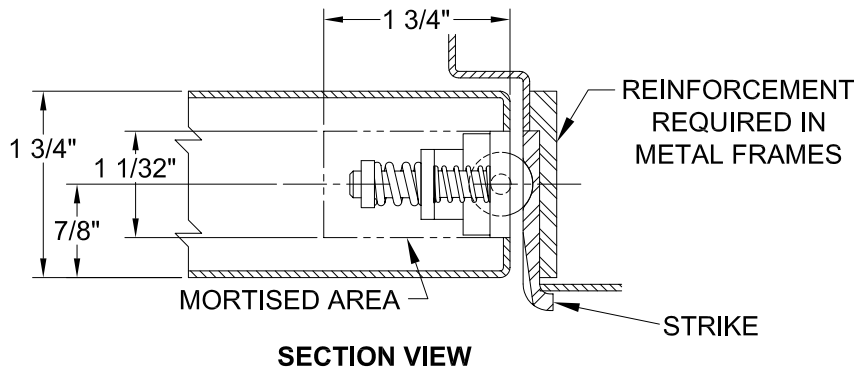
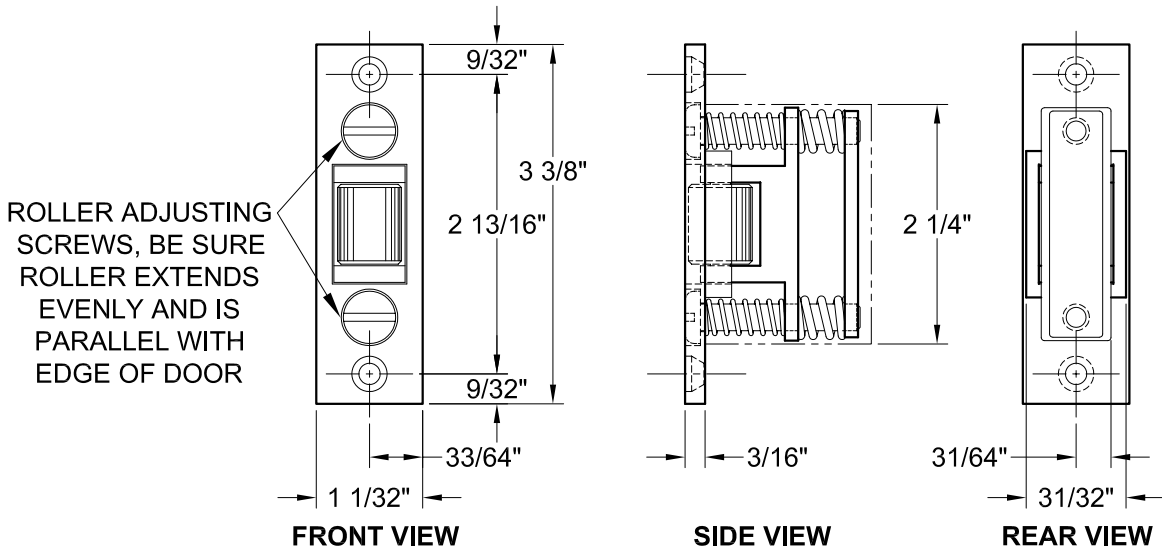
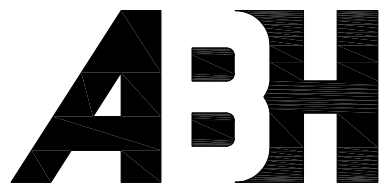


# 1890 ROLLER LATCH WITH STRIKE



SCREW DETAIL		
	QTY	DESCRIPTION
BODY	2	#10 x 3/4" F.H. S.M.S.
STRIKE	2	#8 x 3/4" F.H. S.M.S.

DO NOT SCALE DRAWING



® [www.abhmfg.com](http://www.abhmfg.com)  
 E-mail: [abhinfo@abhmfg.com](mailto:abhinfo@abhmfg.com)  
 Architectural Builders Hardware Mfg., Inc.  
 1222 Ardmore Ave., Itasca, IL 60143  
 630.875.9900; FAX 800.9FAXABH (932.9224)

1890-01.DWG

1890

© 2007 ABH Mfg., Inc.  
 printed in USA

REVISED 03-05-07