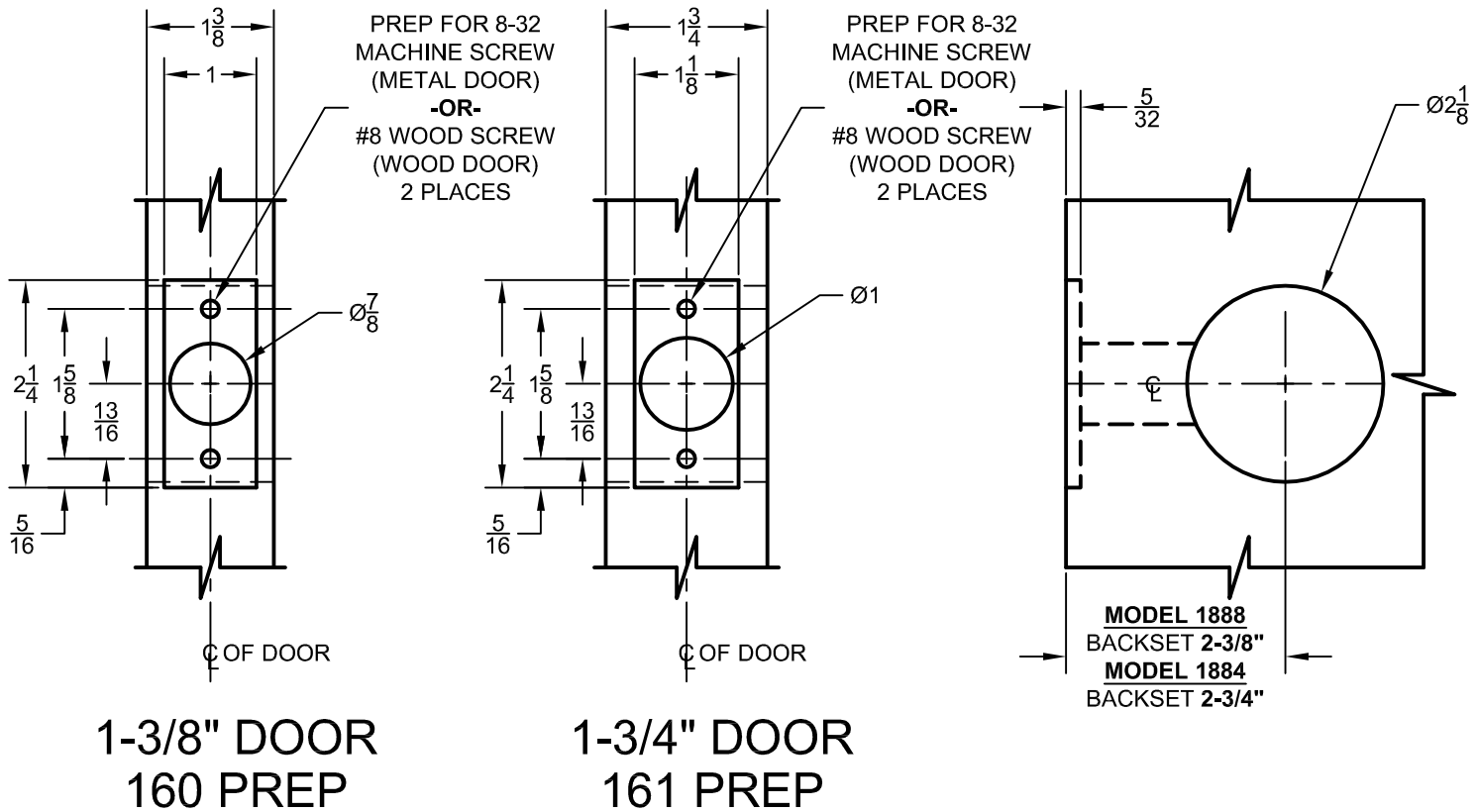


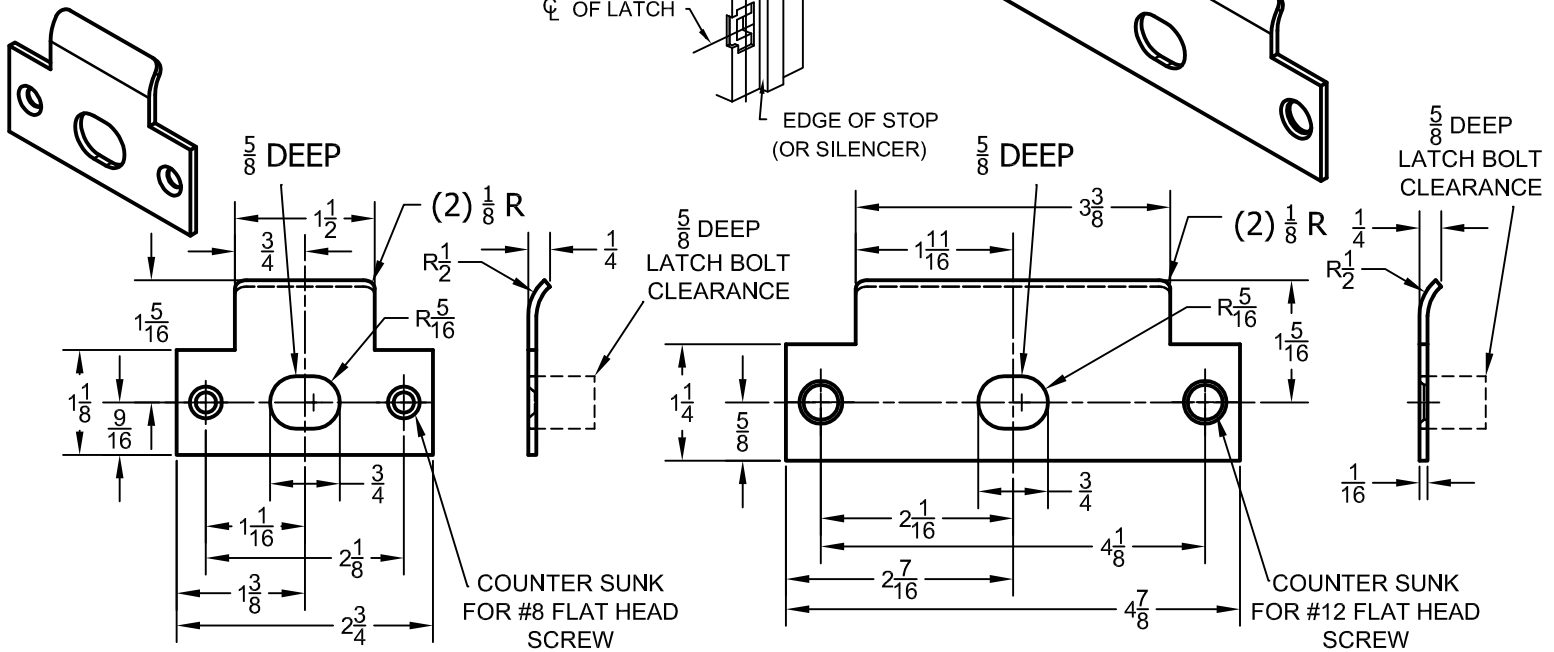
SLIDEBOLT PADLOCK LATCH

UNIVERSAL: 1-3/8" OR 1-3/4" DOOR, 160 OR 161 PREP



FRAME PREP

1. Mark centerline of latch bolt on frame.
2. Center strike and mark screw positions.
3. Mortise to required strike and box depth.



1880 SLIDEBOLT PADLOCK LATCH INSTALLATION-2-11.DWG



® www.abhmfg.com

E-mail: abhinfo@abhmfg.com

Architectural Builders Hardware Mfg., Inc.

1222 Ardmore Ave., Itasca, IL 60143

630.875.9900; FAX 800.9FAXABH (932.9224)

© 2011 ABH Mfg., Inc.
printed in USA

1880

REVISED 03-07-11