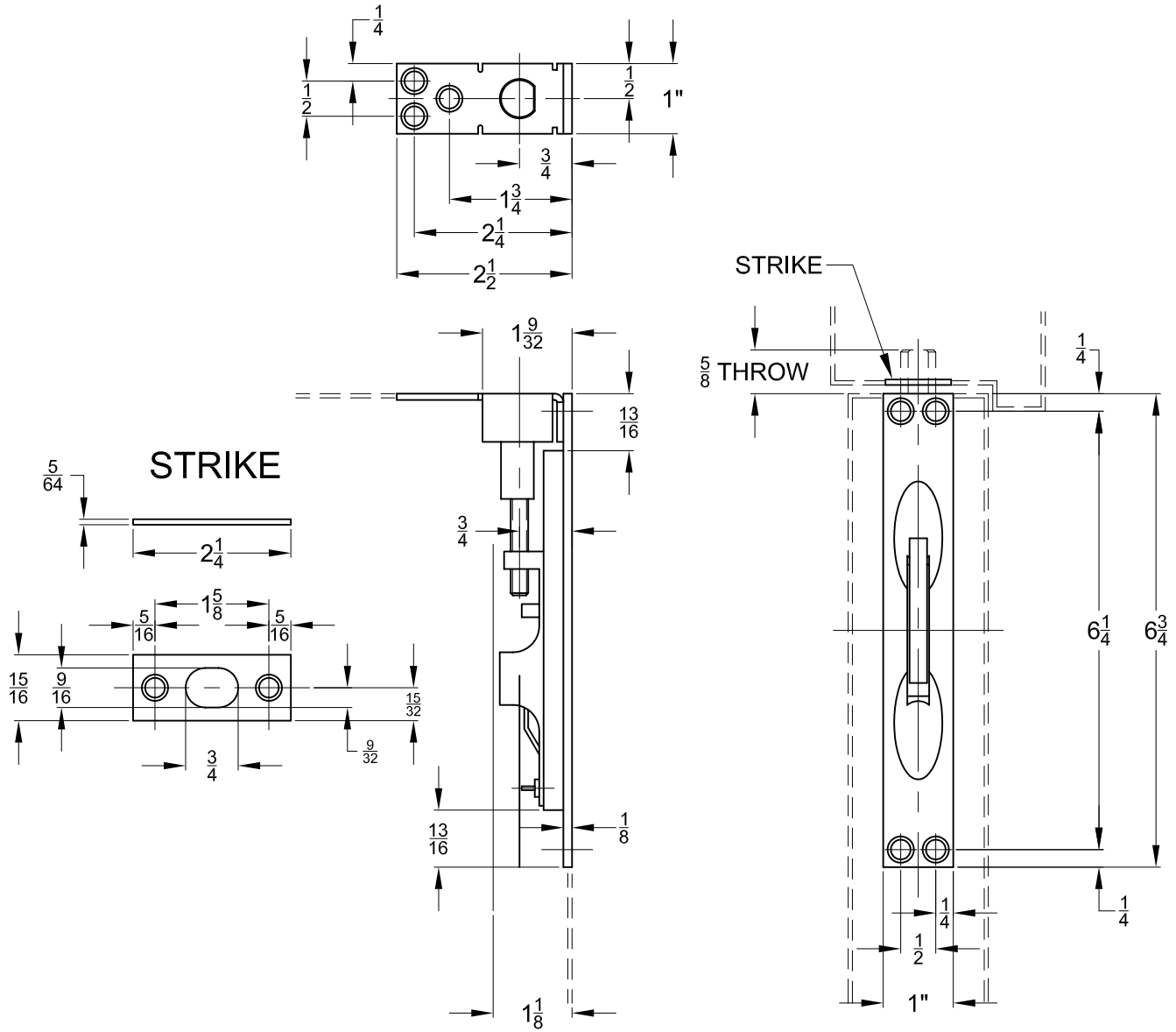


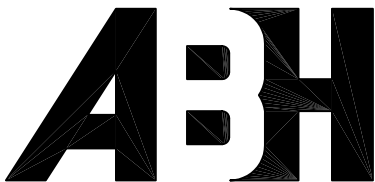
# 1857 MANUAL FLUSH BOLTS

## WOOD DOOR APPLICATION



MINIMUM CLEARANCE REQUIRED

SCREW DETAILS: BOLT HOUSING - (5) 8 - 32 x 1-1/2" F.H. COMB SCREW  
 STRIKE - (2) 8 - 32 x 11/16" F.H. COMB SCREW



® www.abhmfg.com  
 E-mail: abhinfo@abhmfg.com  
 Architectural Builders Hardware Mfg., Inc.  
 1222 Ardmore Ave., Itasca, IL 60143  
 630.875.9900; FAX 800.9FAXABH (932.9224)

ABH is a minority owned and operated manufacturing company.

© 2004 ABH Mfg., Inc.  
 printed in USA

1857-00.DWG

1857

ISSUED 06-04-04