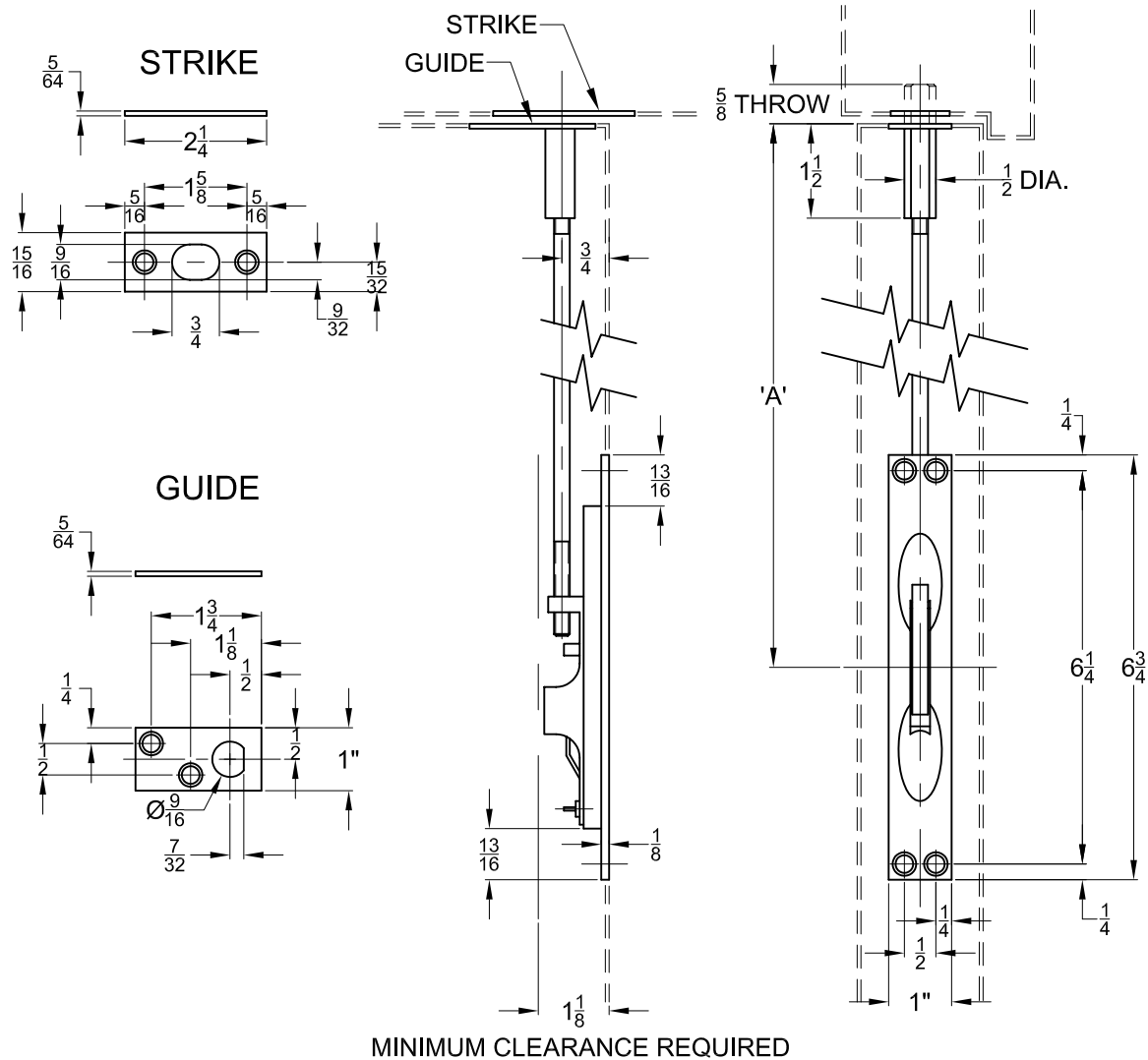


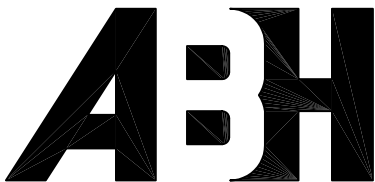
# 1855 MANUAL FLUSH BOLTS

## METAL DOOR APPLICATION



<b>A</b>	<b>SPECIFY</b>							
	<b>6</b>	<b>9</b>	<b>12</b>	<b>18</b>	<b>24</b>	<b>30</b>	<b>36</b>	<b>48</b>

SCREW DETAILS: BOLT HOUSING - (4) 8 - 32 x 1-1/2" F.H. COMB SCREW  
 STRIKE - (2) 8-32 x 11/16" F.H. COMB SCREW  
 GUIDE - (2) 8 - 32 x 11/16" F.H. COMB SCREW



® [www.abhmfg.com](http://www.abhmfg.com)  
 E-mail: [abhinfo@abhmfg.com](mailto:abhinfo@abhmfg.com)  
 Architectural Builders Hardware Mfg., Inc.  
 1222 Ardmore Ave., Itasca, IL 60143  
 630.875.9900; FAX 800.9FAXABH (932.9224)

ABH is a minority  
 owned and operated  
 manufacturing company.

1855-00.DWG

© 2004 ABH Mfg., Inc.  
 printed in USA

# 1855

ISSUED 06-04-04