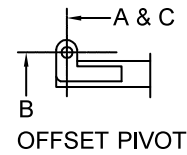
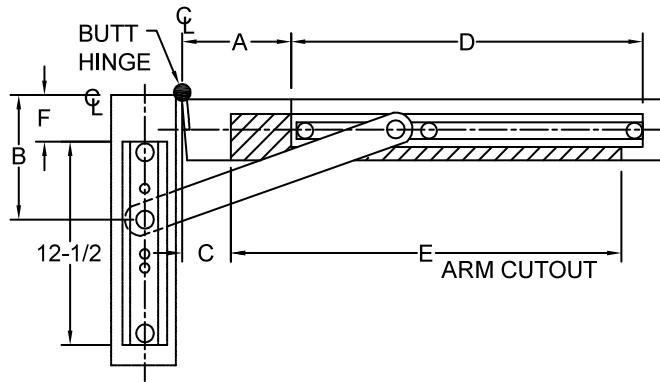


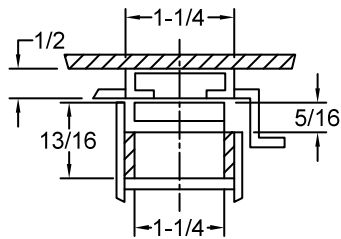
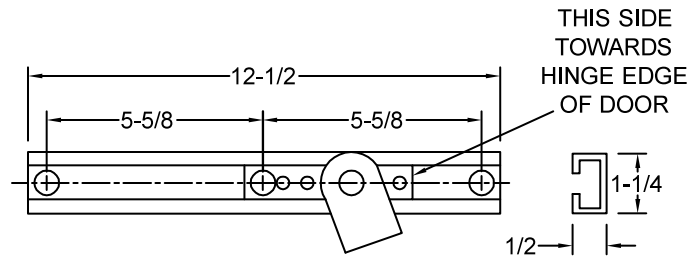
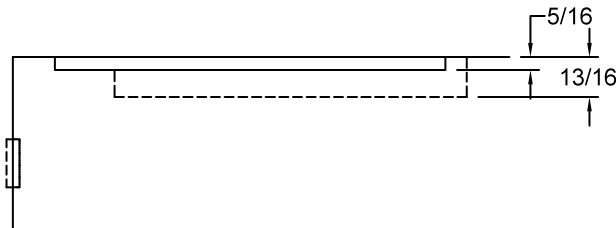
1000SL- ADJ SERIES CONCEALED HOLDERS & STOPS

REVERSIBLE

NON - HANDED



IMPORTANT
 JAMB BRACKET TRACK MUST BE
 INSTALLED WITH SHORT END OF
 JAMB BRACKET TOWARD HINGE
 EDGE OF DOOR



AFTER INSTALLATION TIGHTEN
 THREE (3) ALLEN HEAD SET
 SCREWS IN JAMB BRACKET AT
 SELECTED DEGREE USING "B"
 DIMENSIONS AS REFERENCE AND
 5/32 ALLEN WRENCH.

NOTE: A, B, & C DIMENSIONS MEASURED AS SHOWN

SCREW DETAIL			
	QTY	WOOD	METAL
JAMB	3	No. 14 x 1-1/2" F.H.W.S	1/4" -20 X 3/4" F.H.M.S.
DOOR	2	No. 18 x 2-1/2" F.H.W.S	5/16" - 18 X 1-1/2" F.H.M.S.

ALWAYS REQUEST LATEST TEMPLATE
 DRAWINGS FOR NEW INSTALLATIONS

DO NOT SCALE DRAWINGS
 ALL DIMENSIONS ARE IN INCHES



® www.abhmfg.com
 E-mail: abhinfo@abhmfg.com
 Architectural Builders Hardware Mfg., Inc.
 1222 Ardmore Ave., Itasca, IL 60143
 630.875.9900; FAX 800.9FAXABH (932.9224)

© 2008 ABH Mfg., Inc.
 printed in USA

1000SL ADJ

REVISED 05-02-08

1000SLADJ-1-04.DWG

1010SL ADJ SERIES HOLDERS, 1020SL ADJ SERIES STOPS

CONCEALED MOUNTING

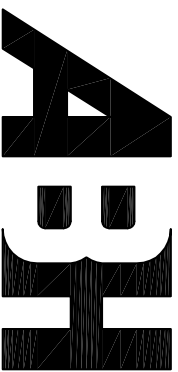
REVERSIBLE/ NON-HANDED

SEE OTHER SIDE FOR INSTALLATION INSTRUCTIONS DIMENSIONS BELOW B=HOLD-OPEN FOR HOLDERS; OPENING FOR STOPS
 SELECT PROPER DIMENSIONS FROM CHART BELOW ALL DIMENSIONS SHOWN IN INCHES
 ALL DRILLING AND TAPPING TO BE DONE IN FIELD FOR DEAD STOP ADD 7/8" TO "A" DIMENSION

		B (REFERENCE ONLY)										
MODEL NO.	DOOR OPENING	A	85°	90°	95°	100°	105°	110°	C	D	E	F
1011SA 1021SA	27-29 ¹⁵ / ₁₆	4-9/16	7-5/8	6-1/8	5	4	* 3-1/8	* 2-3/4	0	19-5/8	22	1-1/8
1012SA 1022SA	30-35 ¹⁵ / ₁₆	4-1/2	10-1/4	8-13/16	7-5/8	6-5/8	5-3/4	5-3/16	0	22-7/8	25-1/8	3-3/4
1013SA 1023SA	36-39 ¹⁵ / ₁₆	5-1/16	11-15/16	10-9/16	9-7/16	8-3/8	7-7/16	6-11/16	4	25-1/4	25-1/4	5-1/4
1014SA 1024SA	40-43 ¹⁵ / ₁₆	8-3/4	14-3/4	13-1/8	11-5/8	10-7/16	9-1/8	8-3/16	8	29	27-9/16	6-3/8
1015SA 1025SA	44 - UP	11-3/4	15-3/4	13-7/8	12-1/8	10-5/8	9-5/16	8-1/4	11	30	28-1/2	6-7/8

* BUTT HUNG ONLY. FOR OFFSET PIVOTS CONTACT THE MANUFACTURER

A, B, C AND F DIMENSIONS MEASURED FROM CENTER LINE OF PIVOT NOT EDGE OF DOOR



www.abhmf.com

E-mail: abhinfo@abhmf.com

Architectural Builders Hardware Mfg., Inc.
 1222 Ardmore Ave., Itasca, IL 60143
 630.875.9900; FAX 800.9FAXABH (932.9224)

© 2008 ABH Mfg., Inc.
 Printed in USA

1000SLADJ-2-04.DWG

1000SL ADJ

REVISED 05-02-08