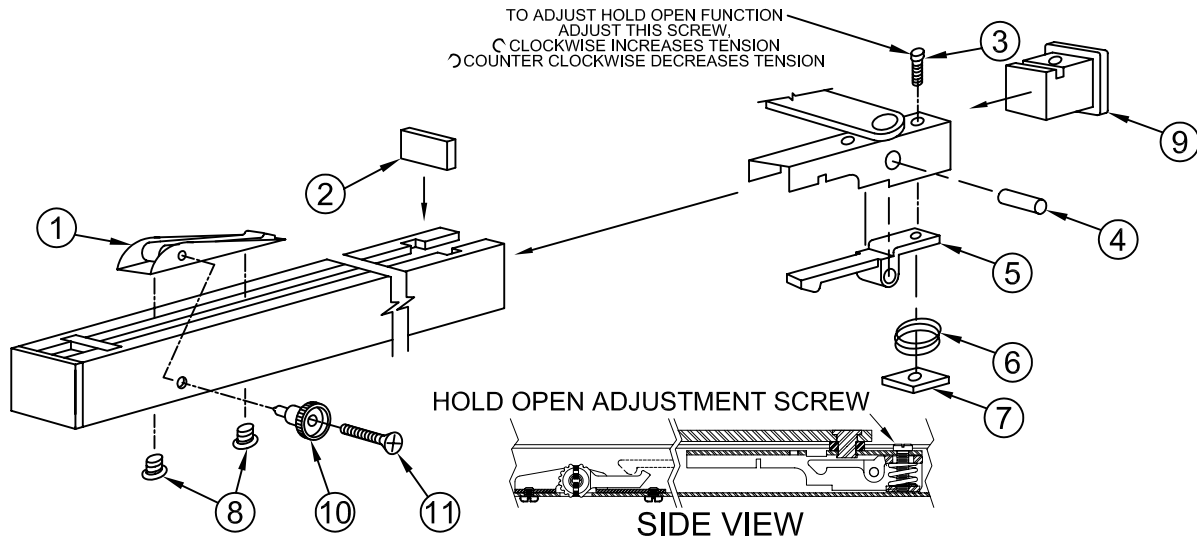
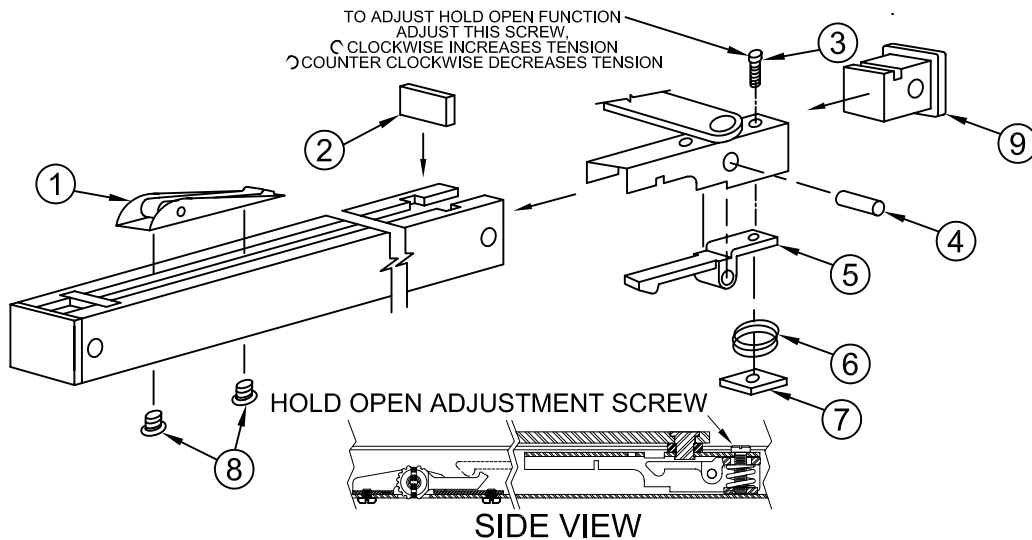


CONVERSION PART LIST FOR MODELS 1000/1000ADJ/9000/9000ADJ		
ITEM	QTY	DESCRIPTION
1	1	CHANNEL HOLD-OPEN ASSEMBLY
2	1	RETAINING CLIP
3	1	HOLD-OPEN TENSION SCREW-L.H. THREAD
4	1	3/16 DIA. X .940 LONG PIN
5	1	CAM HOLD-OPEN LEVER
6	1	HOLD-OPEN TENSION SPRING
7	1	HOLD-OPEN TENSION PLATE
8	2	10-32 X 1/4" SCREWS
9	0	END PLUG (NOT SUPPLIED)
10	1	CONTROL KNOB
11	1	10-32 X 1" SCREW

1000/1000ADJ HOLD-OPEN CONVERSION  
 TO DISASSEMBLE REMOVE RETAINING CLIP AND END  
 PLUG FROM NON-SPRING END ONLY  
 INSTALLED UNITS MUST BE REMOVED FROM DOOR



9000/9000ADJ HOLD-OPEN CONVERSION  
 TO DISASSEMBLE REMOVE RETAINING CLIP AND END  
 PLUG FROM NON-SPRING END ONLY  
 INSTALLED UNITS MUST BE REMOVED FROM DOOR



® www.abhmfg.com  
 E-mail: abhinfo@abhmfg.com  
 Architectural Builders Hardware Mfg., Inc.  
 1222 Ardmore Ave., Itasca, IL 60143  
 630.875.9900; FAX 800.9FAXABH (932.9224)

© 2007 ABH Mfg., Inc.  
 printed in USA

1000-9000-CON-02.DWG

1000/9000  
 H.O. KIT

REVISED 03-28-07