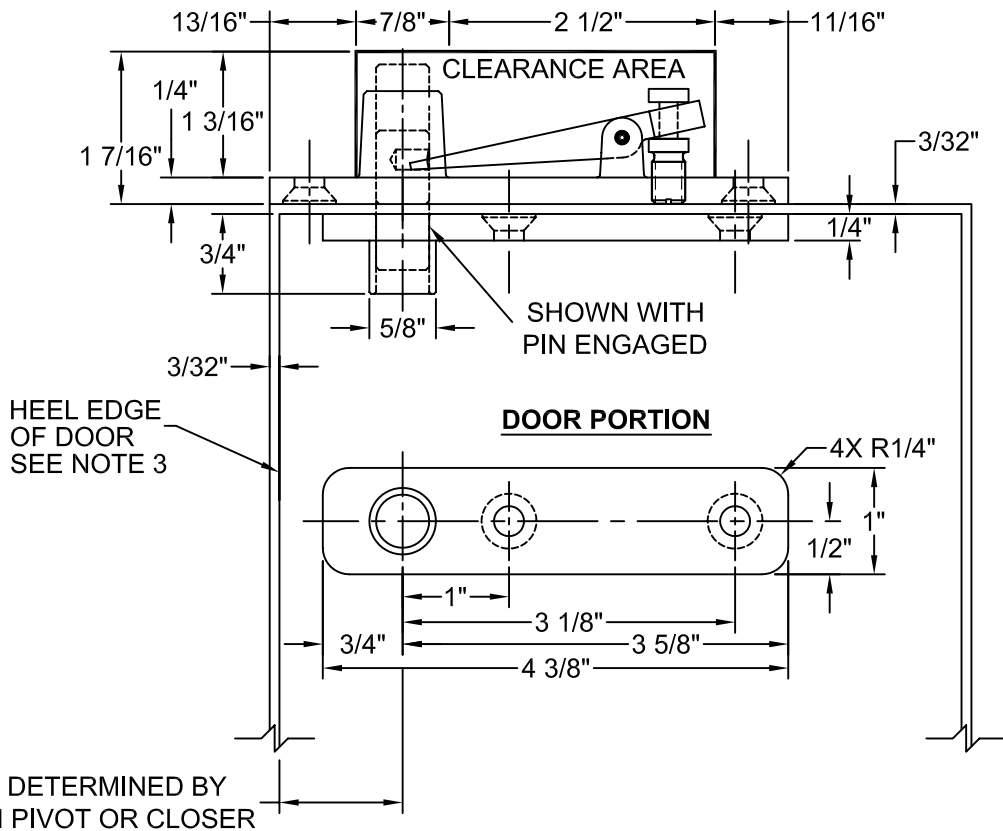
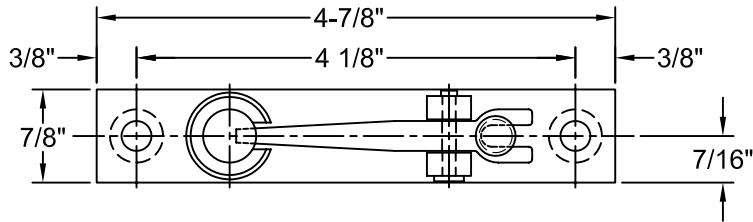


0321 CENTER HUNG TOP PIVOT

HEADER PORTION



NOTES:

1. PIVOTS DRILLED FOR 1/4-20 FHMS OR #14 FHWS.
2. REINFORCING BY OTHERS.
3. RADIUS HEEL EDGE OF DOOR 1-5/32" RAD. MAX FOR 1-3/8" TO 1-3/4" THICK DOORS.
4. IT IS THE DOOR AND FRAME MANUFACTURERS RESPONSIBILITY TO CHECK THE HARDWARE SCHEDULE AND PREP THE DOORS AND FRAMES.
5. CENTERLINE OF TOP PIVOT PIN MUST BE PLUMB AND STRAIGHT WITH BOTTOM PIVOT.

DO NOT SCALE DRAWING

0321-00.DWG



® www.abhmfg.com

E-mail: abhinfo@abhmfg.com

Architectural Builders Hardware Mfg., Inc.

1222 Ardmore Ave., Itasca, IL 60143

630.875.9900; FAX 800.9FAXABH (932.9224)

© 2006 ABH Mfg., Inc.
printed in USA

0321

ISSUED 03-20-06