

# S20020 SPECIAL EXTENSION ORDER FORM

ORDER DATE: \_\_\_\_\_

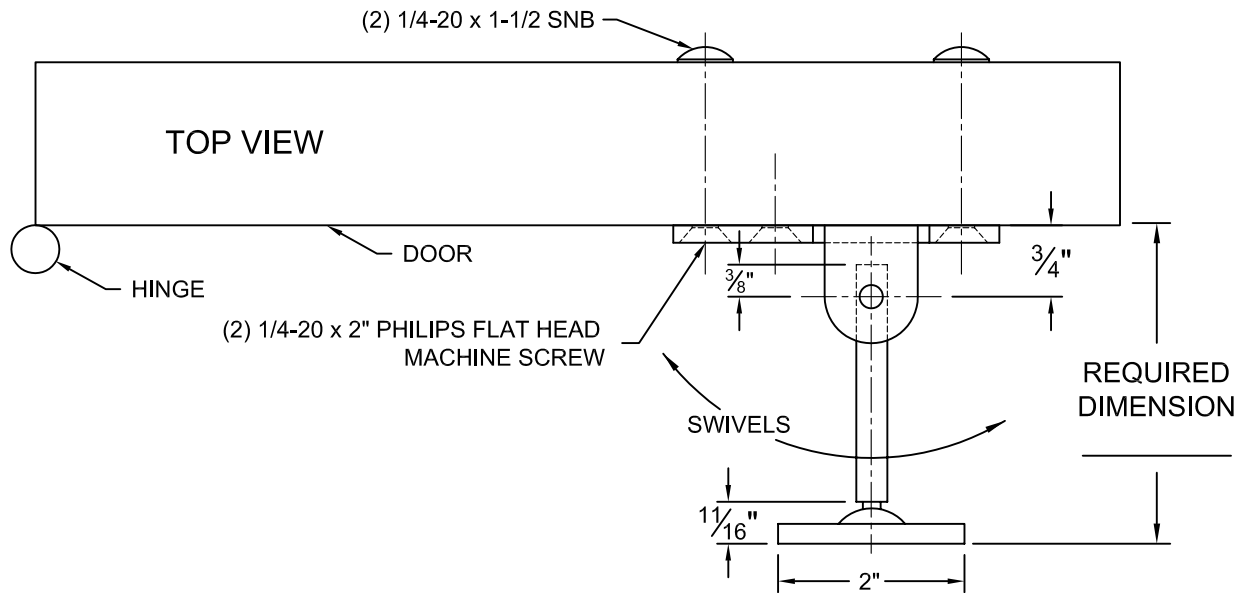
CUSTOMER NAME: \_\_\_\_\_

CUSTOMER P.O. No.: \_\_\_\_\_

ABH SALES ORDER No.: \_\_\_\_\_

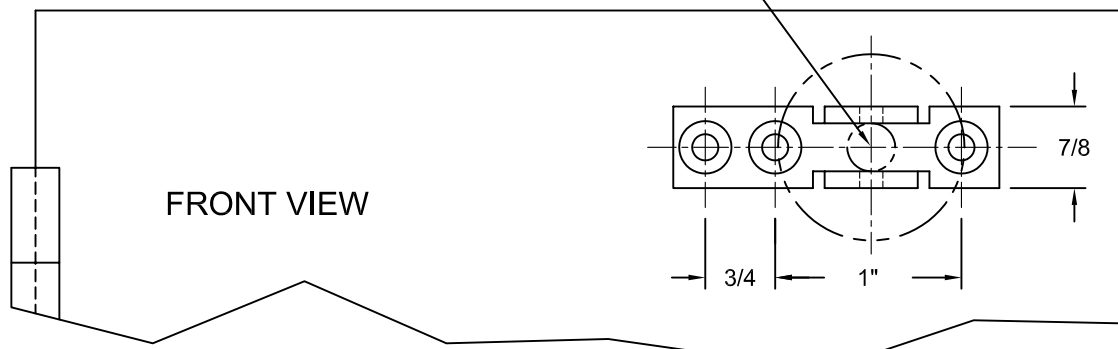
REQUIRED DIMENSION (SEE TOP VIEW): \_\_\_\_\_ QUANTITY \_\_\_\_\_

CUSTOMER SIGNATURE: \_\_\_\_\_ DATE: \_\_\_\_\_



**TO BE MOUNTED HORIZONTALLY  
ON PULL SIDE OF DOOR**

CENTER LINES OF ARMATURE MUST LINE UP WITH  
CENTER LINES OF MAGNET



FABRICATION NOTE: USE REQUIRED DIMENSION AND SUBTRACT BY 1-1/16 FOR OVERALL ROD LENGTH



® [www.abhmfg.com](http://www.abhmfg.com)  
 E-mail: [abhinfo@abhmfg.com](mailto:abhinfo@abhmfg.com)  
 Architectural Builders Hardware Mfg., Inc.  
 1222 Ardmore Ave., Itasca, IL 60143  
 630.875.9900; FAX 800.9FAXABH (932.9224)

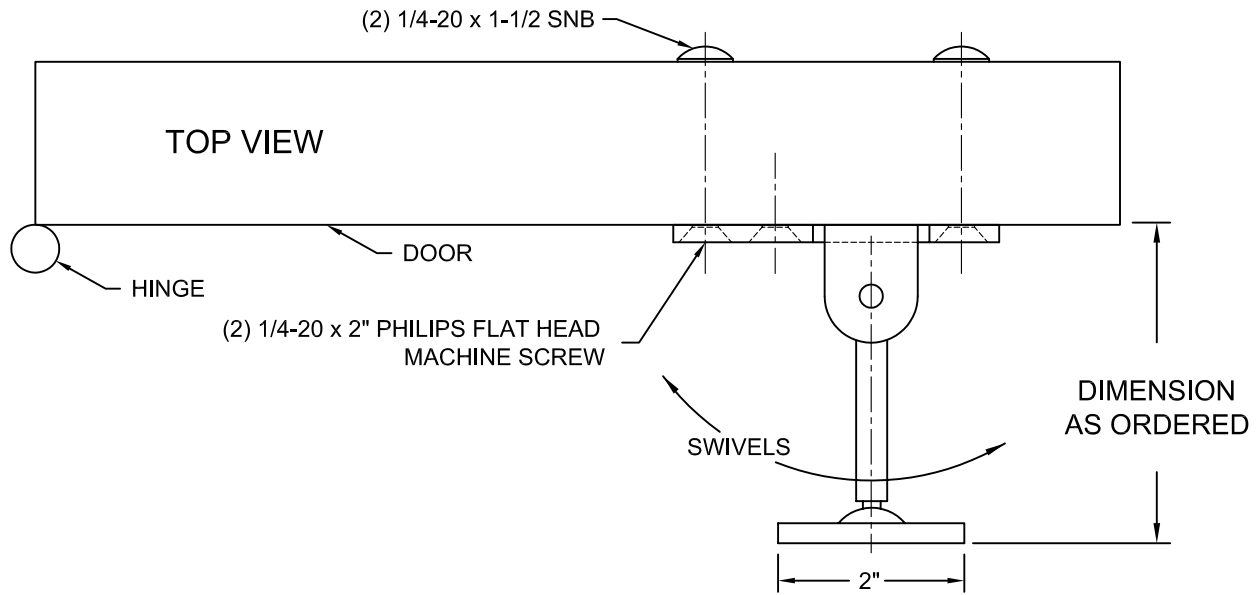
© 2007 ABH Mfg., Inc.  
 printed in USA

S20020 ORDER FORM-01.DWG

**S20020**

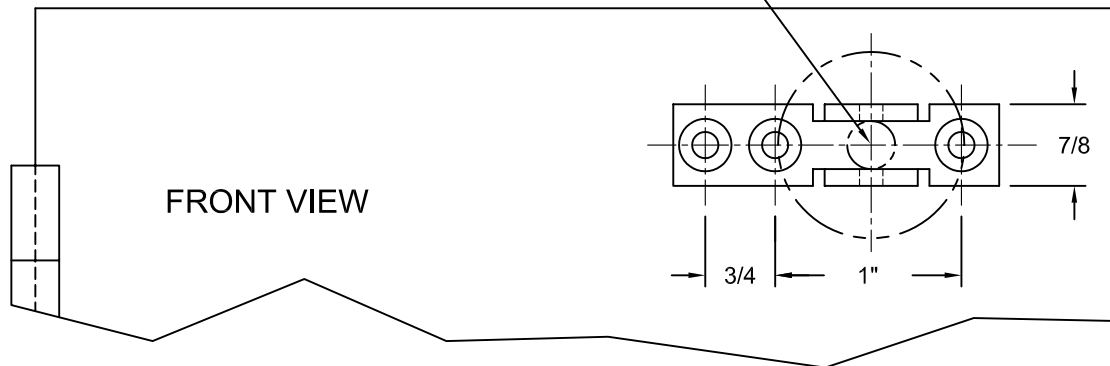
REVISED 05-08-07

# S20020 SPECIAL EXTENSION



## TO BE MOUNTED HORIZONTALLY ON PULL SIDE OF DOOR

CENTER LINES OF ARMATURE MUST LINE UP WITH CENTER LINES OF MAGNET



® [www.abhmfg.com](http://www.abhmfg.com)  
E-mail: [abhinfo@abhmfg.com](mailto:abhinfo@abhmfg.com)  
Architectural Builders Hardware Mfg., Inc.  
1222 Ardmore Ave., Itasca, IL 60143  
630.875.9900; FAX 800.9FAXABH (932.9224)

© 2007 ABH Mfg., Inc.  
printed in USA

# S20020

REVISED 05-08-07

S20020-03.DWG